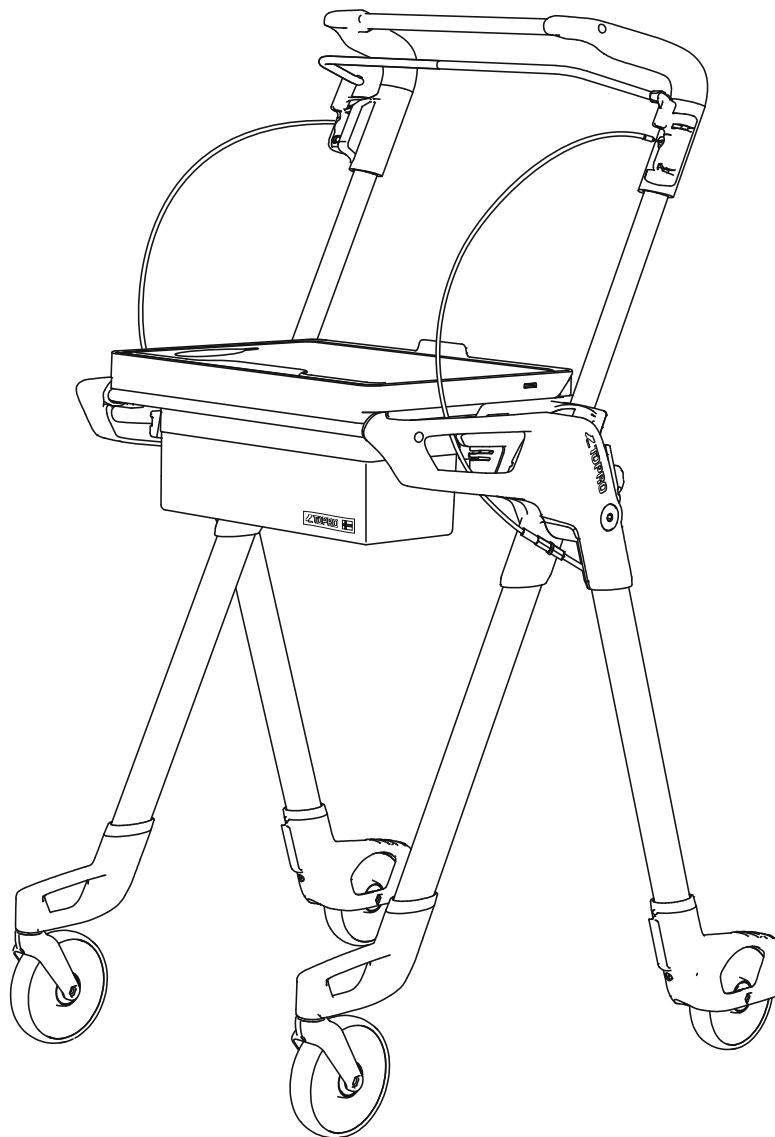


TOPRO

Instructions for use TOPRO Hestia



topromobility.com

made in Norway



EN

Illustrations
Measurements
Technical data
Article numbers

NO

Illustrasjoner
Mål
Tekniske data
Artikkelnummer

DE

Illustrationen
Messungen
Technische Daten
Artikelnummern

NL

Illustraties
Afmetingen
Technische data
Artikelnummers

SV

Illustrationer
Mätningar
Teknisk data
Artikelnummer

DA

Illustrationer
Mål
Teknisk data
Artikelnumre

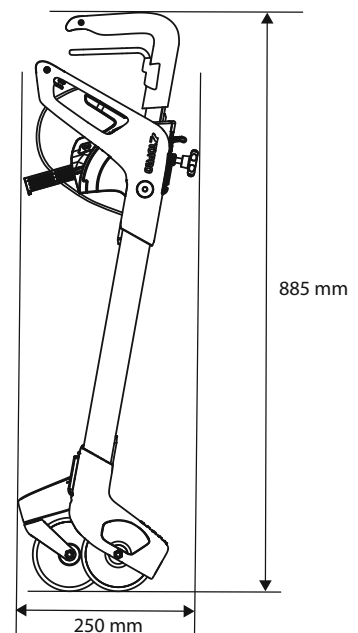
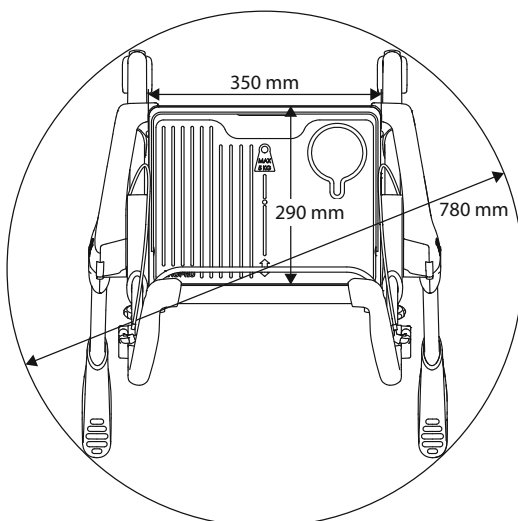
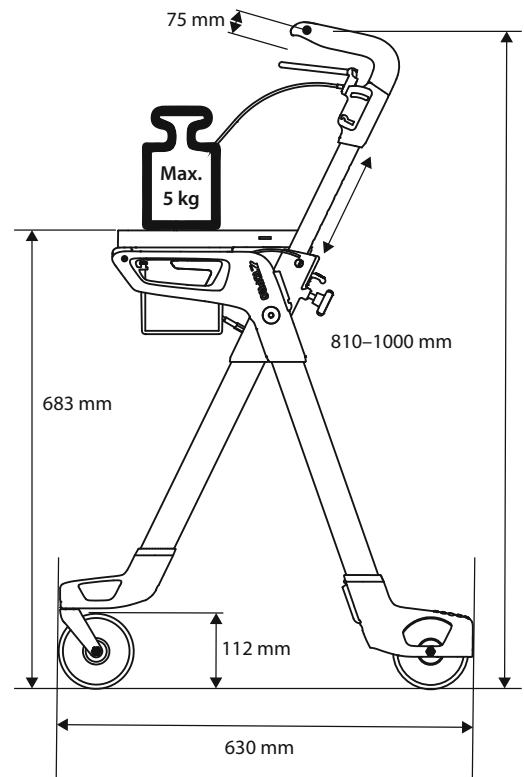
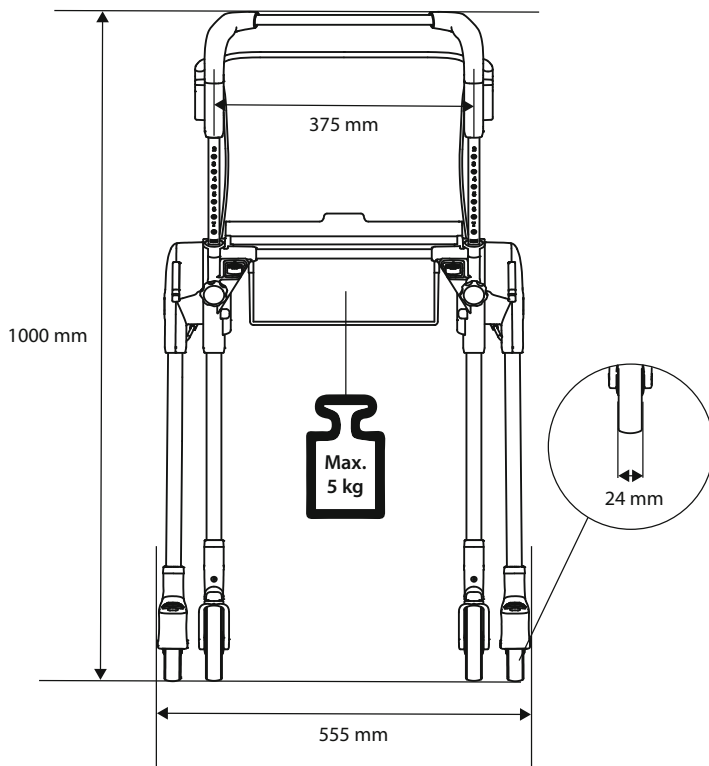
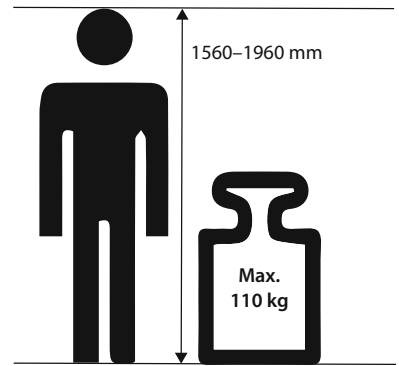
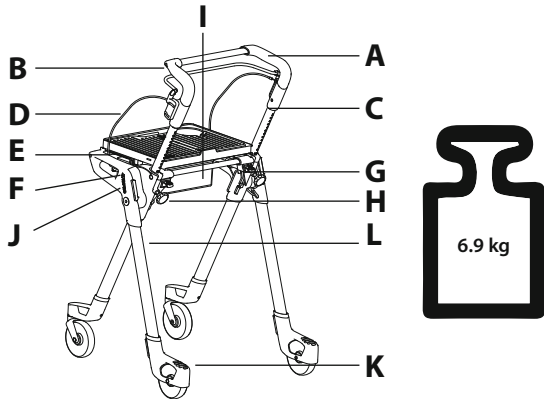
FI

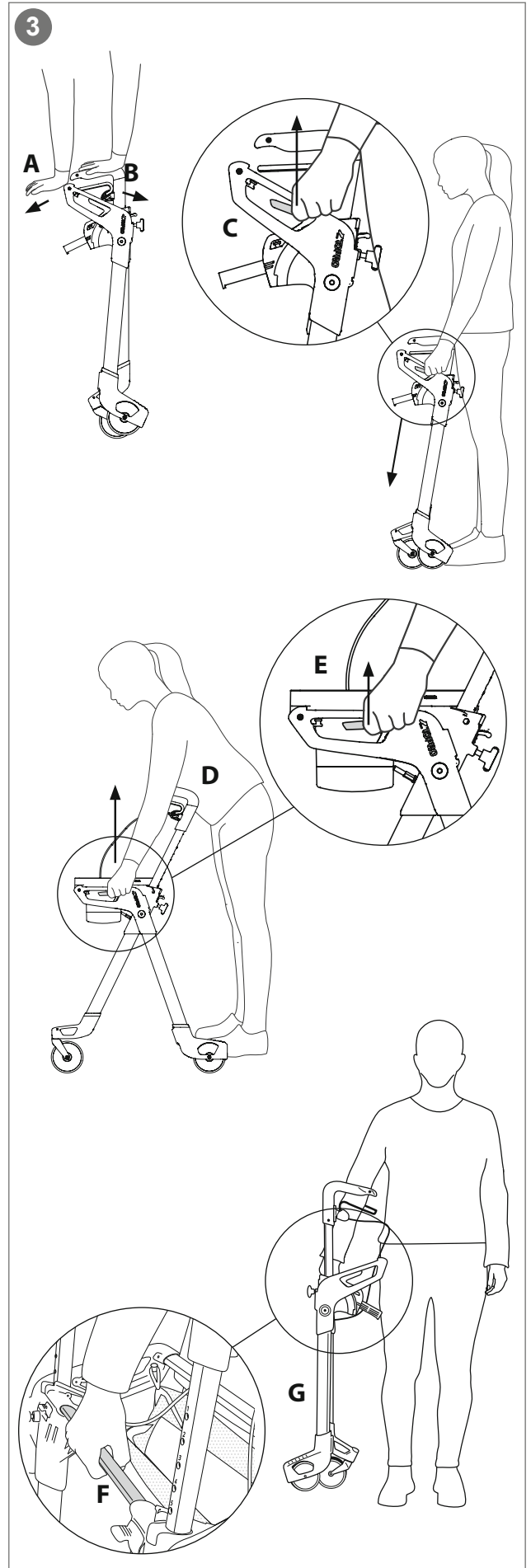
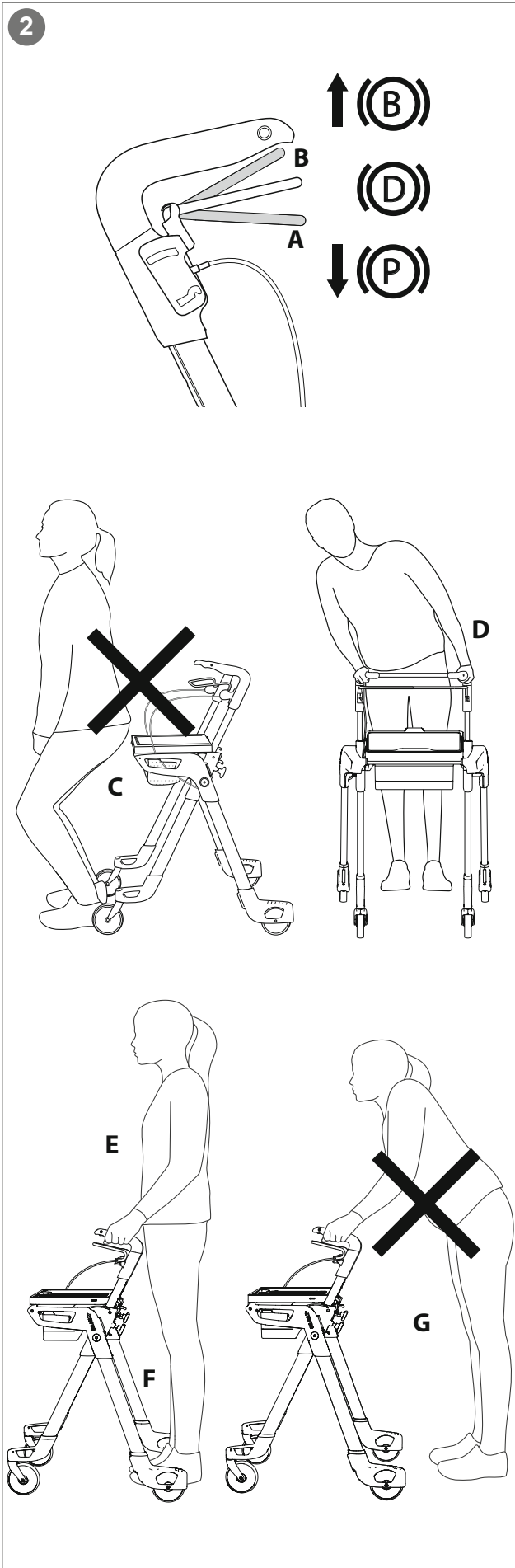
Kuvituksia
Mitat
Tekniset tiedot
Artikkelinumerot

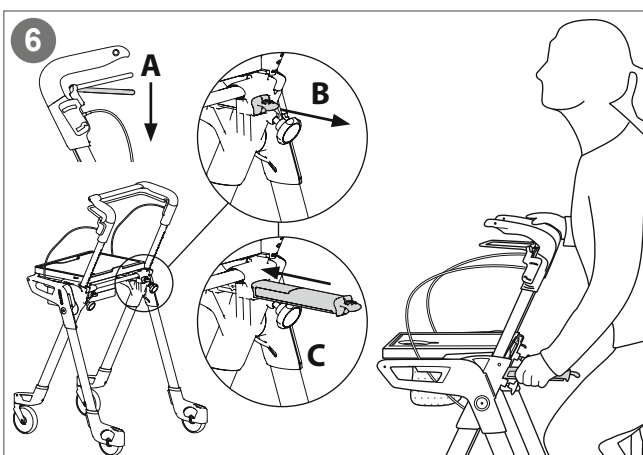
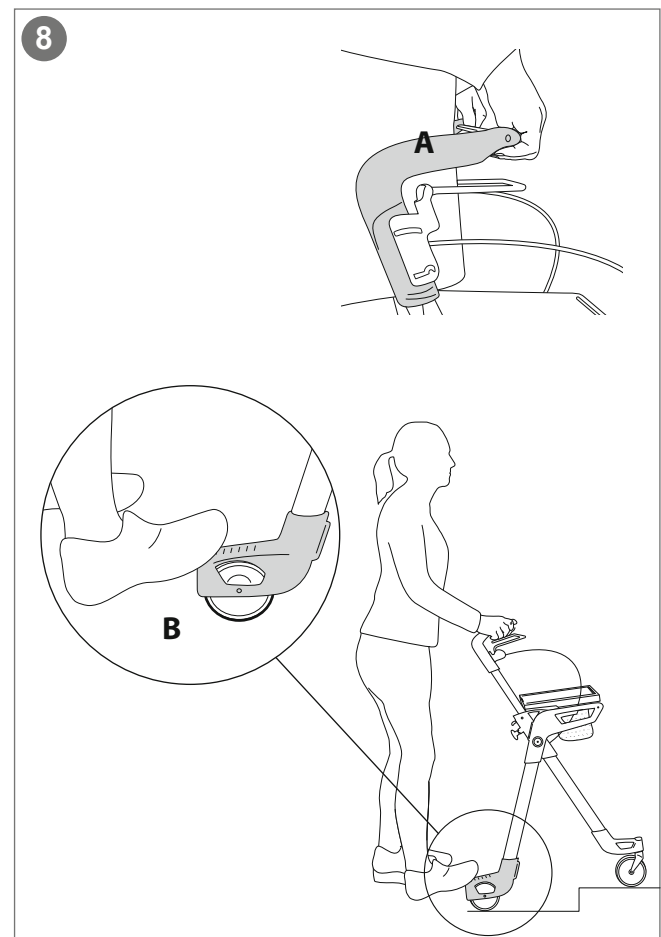
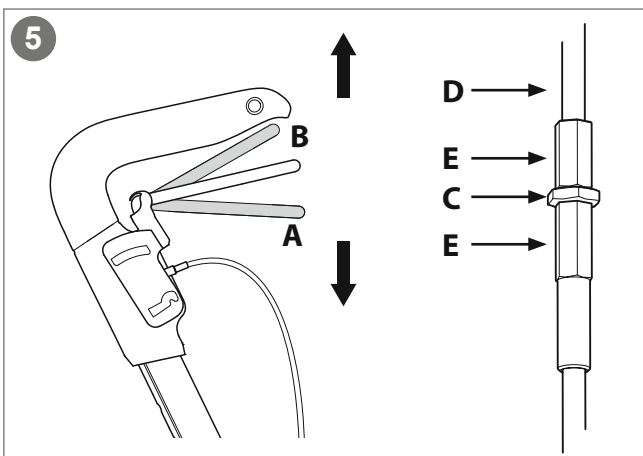
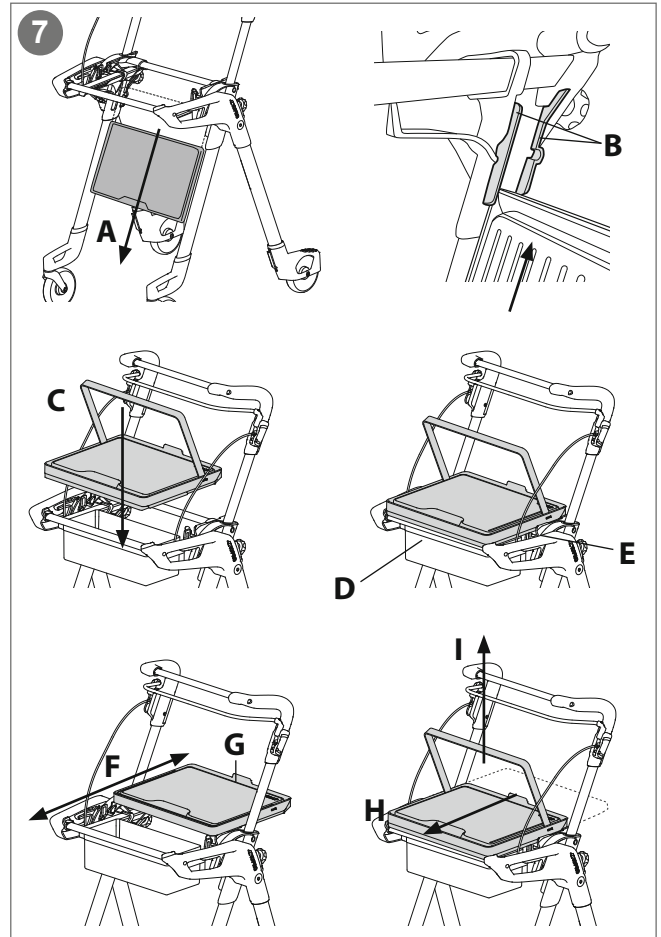
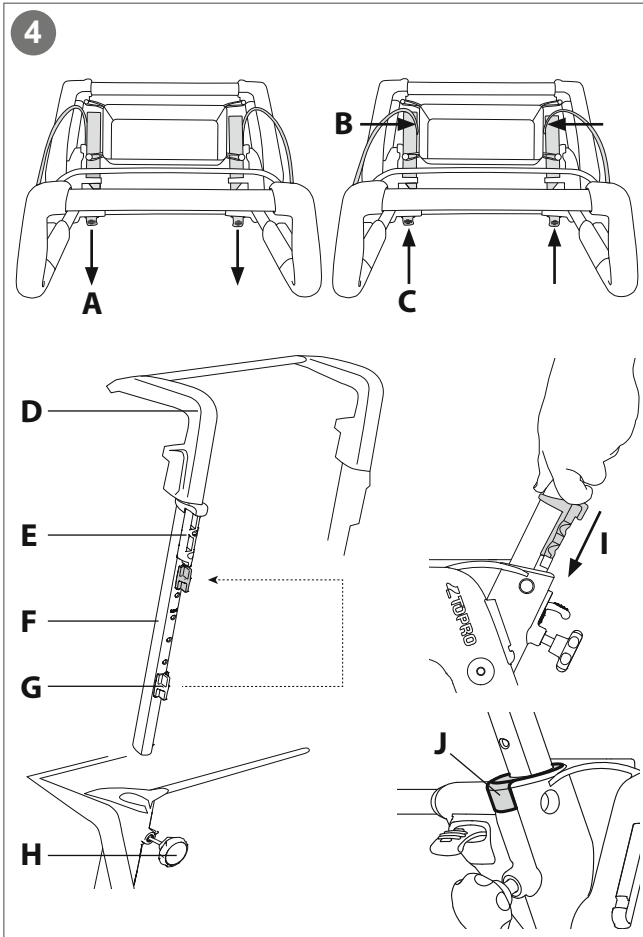
FR

Illustrations
Dimensions
Données techniques
Numéros d'article

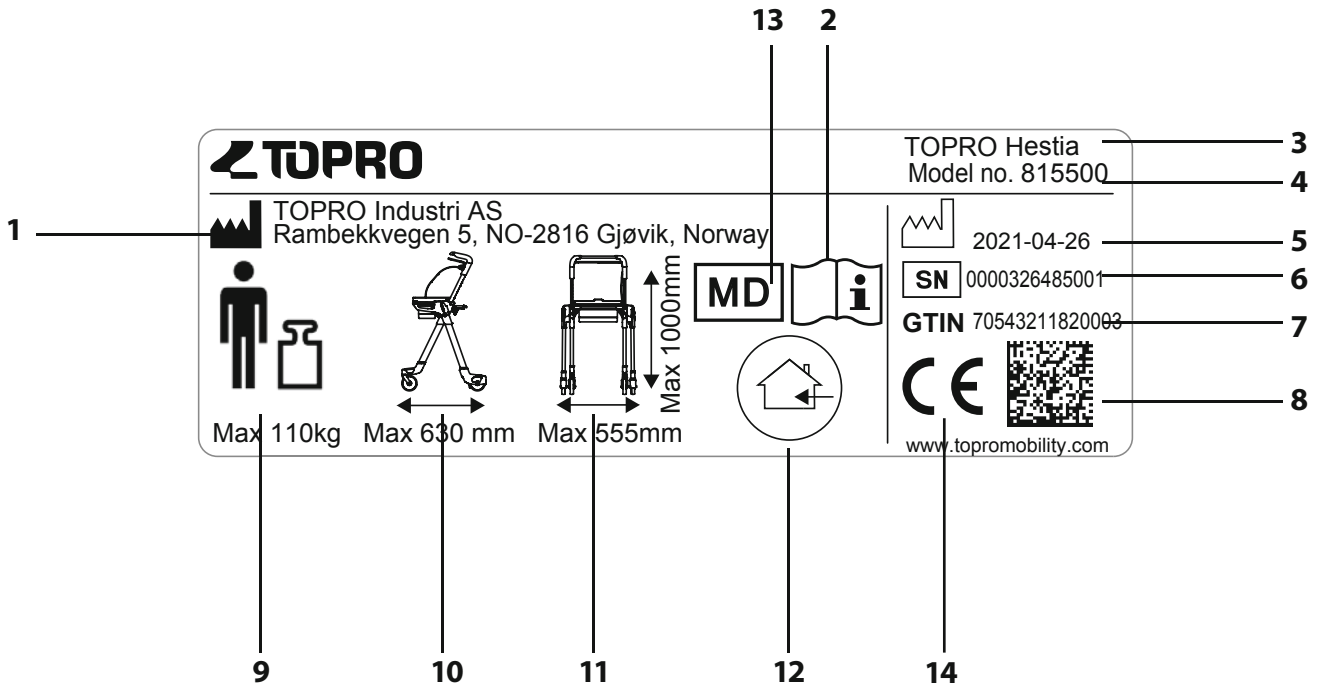
1







9



Congratulations with your choice of a new TOPRO rollator

Every TOPRO product is developed, designed and manufactured in Norway. The product conforms to Medical Device Regulation (EU) 2017/745. It is tested and approved according to EN ISO 11199-2:2005. On receipt of the goods, please check your product. If you have any queries, please contact your mobility shop or dealer immediately. If you have problems reading this user manual, an electronic version is available on topromobility.com.

Intended use

The TOPRO HESTIA shall give support to users with reduced balance and/or reduced walking ability. The product is designed for indoor use. It is designed to be pushed, not pulled. The rise-up handles are intended to provide the user with supplementary support when rising up/sitting down. The tray provides an opportunity for the user to move items weighing up to 5 kg. The basket is designed for carrying items weighing up to a total of 5 kg. The intended user is an adult. Height and weight restrictions apply.

Contraindications: The product is not suitable for persons with low strength in arms, with very poor balance, or with considerable cognitive disabilities.

To get to know the rollator and learn how to use it properly, training by a professional is recommended.

0 The grey numbered circles in this user manual refers to the numbered information graphic and illustrations inside the cover

1 Get to know your TOPRO product

- | | |
|-------------------------|---------------------------------|
| A Walking handle | G Rise-up handles |
| B Brake lever | H Height adjustment knob |
| C Handle tube | I Storage net |
| D Brake cable | J Tray base |
| E Slidable tray | K Tilting function |
| F Folding lever | L Product label |

2 Safety

When folding/unfolding the rollator, be aware so you do not hurt your fingers.

Be aware not to put your fingers in open holes or between stationary parts.

Make sure that the height adjustment knob is tightened properly.

Ensure that the tray is placed correctly in its cradle before walking. The tray is not a seat.

When stationary, parked, and while using the rise-up handles always use the parking brake (A).

Do not use the rollator on stairs. Be careful when descending thresholds etc.

Check the brakes before use every time, and that the rollator locks in unfolded position.

Do not use the rollator to transport heavy load or persons.

Be aware that some parts of the rollator might feel hot or cold when exposed to extreme temperatures.

Do not modify the product as this might put your safety at risk and the guarantee will become void.

The experienced stability of the product will be lower when walking on a tilted surface.

Do not attempt to sit on the rollator (C).

To reduce the risk of falling, do not tilt the rollator too much sideways (D). For the same reason, bags etc. must never be hung on the handles.

To give the right support and safety, walk straight and make sure the rollator is kept as close to your body as possible (E). Walk between the rear wheels (F), not behind them (G).

Be aware that the rollator may roll faster than you when walking downhill, which may put you in risk of falling. Activate the driving brake to adjust the speed (B).

Be careful when wearing fluttering skirts and trousers as they could get caught in the wheels, which could lead to falling. Wear sturdy footwear to avoid injuries.

Do not use the rollator on slippery surfaces.

Keep the rollator away from fire and hot items.

Do not climb on the rollator.

3 Unfolding / Folding

Unfolding first time: The product is delivered in a transport position. In order to unfold the product place one hand on the crossbar between the walking handles (B) and the other hand on the crossbar at the front of the tray-base (A). Push the crossbars apart to initiate the unfolding. The product clicks into the normal folded position.

Unfolding: Place the product on its wheels, on level ground, and place yourself on the walking side of the product. Pull the two folding levers (C) positioned in the side openings of the tray-base. Press the tray-base down while squeezing the folding levers. The rollator unfolds and locks when the folding levers are released. To position the tray, see dedicated paragraph *Tray / Basket*.

Folding: Remove the tray. Place yourself, seated on a chair if deemed necessary, on the walking side of the product. While holding back the walking handle with your upper body (D), grip both folding levers (E) and pull the tray-base towards you. Release the folding levers and gently push the tray-base back down to verify that the folding levers are engaged, and the product cannot unfold. Apply the parking brake to ensure that the product does not roll away.

Carrying the rollator: The rollator must not be carried by the brake cables. Fold the rollator as described in section *Unfolding / Folding*. Carry the rollator by one of the crossbars (F) or frame sides (G).

4 Handles / Memory function

Height adjusting: Untighten both knobs (H) (approx. 2 turns). Adjust the walking handles (D) to a suitable height then pull them slightly up and down until you hear a clicking sound. Adjust both handles to the same height by comparing the number scale on each side. Tighten the knobs (H) again. *It is recommended that the handles are set to the same height as your wrists when your arms are hanging alongside your body.*

Memory Function: Decide on the height of the handles (see number scale). Count visible holes at the back of the handle tubes (F). Remove the tray. Extend the rise-up handles (A) and move the brake cables inwards (B). Hold the brake cables against the bag (B) while retracting the rise-up handles (C). Unscrew the height adjustment knobs (H). Pull the tubes (F) out of the frame. The fastening pieces (E) will now follow the handle tubes.

Move the fastening pieces (E) so that the number of holes above them equals to the previously counted holes. Fit the red memory chips (G) on the handle tubes in the first available hole under the fastening pieces (E). Push the handle tubes and fastening pieces (I) down and into the side frames (J)). Screw the height adjustment knobs (H) halfway in. Pull the handles (D) up until they stop and then tighten the knobs (H) properly. From now on, when the handles are in the lowest position, they will stop in the pre-set position when pulled up. Reposition the brake cables to the outside of the rise-up handles by extending/retracting the handles yet again.

5 Brakes

Make sure the brakes are working before each trip. The brake lever works on both rear wheels. Do not drive or push the rollator while the parking brakes are in use.

Parking brakes: Push the brake lever (A) down until the brakes lock.

Both rear wheels are now locked. Squeeze the brake lever upwards to release the parking brakes.

Driving brakes: Pull the brake lever (B) upwards to apply the brakes. Do not use continuously while the rollator is in motion.

Adjusting / checking: Adjusting the brakes is easiest done by turning the rollator upside down. Loosen the nut (C) on the brake cable. Tighten the brake cable (D) with the adjustment screw (E). Adjust both brake blocks evenly so the distance to the wheel surface is approximately 1.5 mm and then tighten the nut (C). Make sure the brakes are not adjusted too tight and pressing hard into the rubber of the wheels when the parking brake is on.

The wheels can be replaced if they are worn or damaged.

6 Rise-up handles

Always apply the parking brake (A) before operating the rise-up handles.

Extending: Extend the rise-up handles by pulling in the tab (B) situated next to the height adjustment knob. When the handle is fully extended it will be locked from slipping back in when pushed downwards.

In use: When the rollator is placed on levelled ground, the handle can act as a supplemental support when rising or sitting down.

Retracting: Retract the handle by lightly lifting and pushing the handle back in, until the handle clicks into place (C).

7 Tray / Basket

Tray transport position: Removing the tray is best done while seated. Apply the brakes and hold on firmly to the rollator. Push the tray firmly towards the floor (A). Placing the tray in the transport position is done by holding the tray with the tab (G) pointing forward and upward and aligning the tray sides with the ribs on the inside of the frame (B). Pull firmly up until the tray clicks into place on both sides.

Mounting: Lift the tray into position using the lifting handle (C). The tab (G) on the tray should face the walking side of the product. The tray is mounted by aligning tray sides with tray-base edge (E), the front of the tray should align with the front crossbar (D) and the arches in the corners.

Sliding: When placed on the tray-base the tray can be slid towards the user (F) using the integrated tab (G). The tray can be machine washed at up to 75 °C.

Removal: Push the tray fully forward (H). Lift the tray using the integrated lifting handle (I).

Basket: The basket can be removed, and machine washed gently at up to 60 °C. The basket is easiest to remove when the product is folded.

8 Lifting lip / Tilt function

Lifting lip: The handle has a geometry (A) that facilitates lifting the rollator across obstacles. Place your fingers around the lip and lift vertically.

Tilt function: Place the front of the foot on the tilt pedal (B) and pull the walking handles towards you. This helps to tilt the rollator over thresholds, edges etc. Please note: Take care when descending thresholds etc. Do not use the rollator on stairs.

Transport

The rollator should be transported in the folded and locked position (see paragraph 3 – Unfolding / Folding). Be careful when loading the rollator into a vehicle, giving attention to securing it.

Storage

The rollator should be stored in an upright position. If stored outdoors it must be under a cover to protect it. Do not leave your rollator unattended. Do not put heavy items on top of the rollator during storage.

Cleaning

The rollator can be hosed and washed with normal household detergents. Do not use abrasives. Avoid flushing directly against bearings (wheels, front forks).

Disinfection

Disinfection must only be carried out by authorized personnel and by wearing sufficient protective equipment. The surface of the rollator must be cleaned with a disinfectant containing 70-80% ethanol. We advise against disinfectant that contains chlorine and phenol.

The manufacturer cannot be held responsible for any damage or injuries that might occur using harmful disinfectant or disinfection carried out by unauthorized personnel.

Inspection / Maintenance / Re-use

It is recommended that inspection and maintenance is carried out regularly (frequency is determined by how and how often the rollator is used). Check the following items: Frame, screws, handles, handle tubes, brakes, brake parts, wheels and accessories. This also applies when the rollator is to be prepared for re-use. Please see detailed instructions in this user manual about maintenance of brakes and cleaning/disinfection. The recommended maintenance is not a requirement, and no preventive maintenance is required provided that the rollator is used as intended according to this user manual.

Material / Recycling

The rollator is made of anodized aluminium profiles, parts of PA6+30GF, PP, TPE and Polyester. Most parts can be recycled. Dispose the rollator and its packaging according to the applicable regulations in your country. For information, please contact your public authorities.

Warranty

TOPRO Hestia is guaranteed free of faults and defects for 7 years. Damage caused by incorrect use or parts that are exposed to natural wear and tear (e.g., brake block, brake cable, wheel, handles, storage net and tray) are exempt from the 7-year warranty. For repairs during the warranty period, please contact your local mobility shop or dealer. The warranty is void if unauthorised spare parts and accessories have been or are being used on the product. The expected life span of the product is estimated to be 10 years if it is used in the correct manner according to this user manual and its safety and maintenance instructions.

9 Product label

- 1 - Manufacturer
- 2 - Consult Instructions for use
- 3 - Model name
- 4 - Model number
- 5 - Date of manufacture
- 6 - Serial number
- 7 - Global Trade Item Number
- 8 - GS1 DataMatrix
- 9 - Maximum user weight
- 10 - Maximum length of rollator
- 11 - Maximum width / height of rollator
- 12 - Intended for indoor use
- 13 - Medical Device
- 14 - CE labelling

Accessories

	TOPRO Art. No.
Crutch holder	815358
Anti-slip mat for tray	815384
Bottle holder	815843
Name tag	814024

Accessories mounted on the rollator may influence stability, we therefore advise you to use them with care. Accessories can be ordered separately to enable a TOPRO HESTIA to be customised to individual needs. Contact your mobility shop, dealer or TOPRO for an updated overview of available accessories or visit our homepage topromobility.com.

Gratulerer med valget av en ny TOPRO-rullator

Hvert TOPRO-produkt er utviklet, designet og produsert i Norge. Produktet er erklært å være i samsvar med medisinsk utstyrforordning (EU) 2017/745. Det er testet og godkjent i henhold til EN ISO 11199-2:2005. Ved mottak av varen, vennligst sjekk produktet. Hvis du har spørsmål, kontakt din forhandler umiddelbart. Hvis du har problemer med å lese denne brukerhåndboken, er en elektronisk versjon tilgjengelig på topromobility.com.

Tiltenkt bruk

TOPRO HESTIA skal gi støtte til brukere med redusert balanse og/eller redusert gangevne. Produktet er designet for innendørs bruk. Det er designet for å skyves, ikke trekkes. Oppreisingshåndtakene er ment å gi brukeren ekstra støtte når den reiser seg opp/setter seg ned. Brettet gir brukeren mulighet til å flytte gjenstander som veier opp til 5 kg. Nettkurven er designet for å bære gjenstander som veier opp til totalt 5 kg. Den tiltenkte brukeren er voksen. Høyde- og vektbegrensninger gjelder.

Kontraindikasjoner: Produktet er ikke egnet for personer med lav styrke i armene, med svært dårlig balanse eller med betydelig kognitiv funksjonshemming.

For å bli kjent med rullatoren og lære å bruke den riktig, anbefales opplæring av en profesjonell.

0 De grå nummererte sirklene i denne brukerhåndboken refererer til den nummererte informasjonsgrafikken og illustrasjonene inne i omslaget

1 Bli kjent med TOPRO-produktet ditt

A	Ganghåndtak	G	Oppreisingshåndtak
B	Bremsehendel	H	Låseratt for høydejustering
C	Håndtaksrør	I	Nettkurv for oppbevaring
D	Bremsekabel	J	Brettbase
E	Uttrekkbart brett	K	Vippefunksjon
F	Utløserhendel for folding	L	Produktetikett

2 Sikkerhet

Når du folder sammen/folder ut rullatoren, må du være oppmerksom slik at du ikke skader fingrene.

Pass på ikke å sette fingrene i åpne hull eller mellom stasjonære deler.

Kontroller at høydejusteringsrattene er strammet godt.

Pass på at brettet er riktig plassert i basen før du begynner å gå. Brettet er ikke et sete.

Når du står stille, parkerer eller bruker oppstigningshåndtakene, bør du alltid bruke parkeringsbremsen (A).

Ikke bruk rullatoren i trapper. Vær forsiktig når du går ned terskler etc.

Kontroller bremsene før hver bruk, og sjekk at rullatoren låses i utfoldet stilling.

Ikke bruk rullatoren til å transportere tung last eller personer.

Vær oppmerksom på at noen deler av rullatoren kan føles varme eller kalde når de utsettes for ekstreme temperaturer.

Produktet må ikke modifiseres, da dette kan sette din sikkerhet i fare, og garantien vil bli ugyldig.

Den opplevde stabiliteten til produktet vil være lavere når du går på en flate som heller, eller ikke er plan.

Ikke forsøk å sitte på rullatoren (C).

For å redusere risikoen for fall, må du ikke vippe rullatoren sidelengs (D). Av samme grunn må poser etc. aldri henges på håndtakene.

For å gi riktig støtte og sikkerhet, gå rett og sørg for at rullatoren holdes så nær kroppen din som mulig (E). Gå mellom bakhjulene (F), ikke bak dem (G).

Vær oppmerksom på at rullatoren kan rulle raskere enn deg når du går nedoverbakke, noe som kan sette deg i fare for å falle. Aktiver kjørebremsen for å justere hastigheten (B).

Vær forsiktig når du bruker flagrende skjørt og bukser, da de kan bli sittende fast i hjulene, noe som kan føre til fall. Bruk solid fottøy for å unngå skader.

Ikke bruk rullatoren på glatte overflater.

Hold rullatoren unna ild og varme gjenstander.

Ikke klatre på rullatoren.

3 Utfolding / Sammenfolding

Utfolding første gang: Produktet leveres i transportposisjon. For å folde ut produktet, plasser den ene hånden på tverrstangen mellom ganghåndtakene (B) og den andre hånden på tverrstangen foran på brettbasen (A). Skyv tverrstengene fra hverandre for å starte utfoldingen. Produktet klikker seg inn i normal foldet posisjon.

Utfolding: Plasser produktet på hjulene, på flatt underlag, og plasser deg selv på gangsiden av produktet. Trekk i de to utløserhendlene (C) som er plassert i sideåpningene på brettbasen. Trykk brettbasen ned mens du klemmer inn utløserhendlene. Rullatoren folder seg ut og låses når utløserhendlene slippes. Hvis du vil plassere brettet, kan du se eget avsnitt *Brett / Nettkurv*.

Sammenfolding: Fjern brettet. Sett deg på en stol hvis det føles nødvendig, på gangsiden av produktet. Mens du holder tilbake håndtaket med overkroppen (D), klem begge utløserhendlene inn (E) og trekke brettbasen mot deg. Slipp opp utløserhendlene og skyv forsiktig brettbasen ned igjen for å kontrollere at utløserhendlene er gått i lås, og at produktet ikke utfolder seg ut igjen. Aktiver parkeringsbremsen for å sikre at produktet ikke ruller bort.

Bære rullatoren: Rullatoren må ikke bæres i bremsekablene. Fold rullatoren sammen som beskrevet i avsnittet *Utfolding / Sammenfolding*. Bær rullatoren i tverrstagene (F) eller rammesidene (G).

4 Håndtak / Minne-funksjonen

Høydejustering: Løsne begge låserattene (H) (ca. 2 omdreininger). Juster ganghåndtakene (D) til en passende høyde, og trekk dem deretter litt opp og ned til du hører en klikkelyd. Juster begge håndtakene til samme høyde ved å sammenligne tallskalaen på hver side. Trekk til låserattene (H) igjen. *Det anbefales at håndtakene er satt i samme høyde som håndleddene når armene henger ved siden av kroppen.*

Minnefunksjon: Juster høyden på håndtakene til foretrukket høyde (se tallskala). Tell synlige hull på baksiden av håndtaksrørene (F). Fjern brettet. Trekk ut oppreisingshåndtakene (A) og flytt bremsekablene innover (B). Hold bremsekablene mot nettet (B) mens du dytter tilbake oppreisingshåndtakene (C). Skru låserattene helt ut (H). Trekk rørene (F) ut av rammen. Festestykkene (E) vil nå følge håndtaksrørene. Flytt festestykkene (E) slik at antall hull over dem er lik de tidligere

telte hullene. Flytt de røde hukommelsesstykkene (G) på håndtaksrørene til det første tilgjengelige hullet under festestykkene (E). Skyv håndtaksrørene og festestykkene ned (I) og inn i rammen (J). Skru låserattene (H) halvveis inn. Trekk håndtakene (D) opp til de stopper og stram deretter låserattene (H) godt. Fra nå av, når håndtakene heves fra laveste posisjon, vil de stoppe i forhåndsinnstilt posisjon når de trekkes opp. Flytt bremsekablene til utsiden av oppstigningshåndtakene ved å trekke ut/dytte tilbake håndtakene igjen.

5 Bremseser

Pass på at bremsene fungerer før hver tur. Bremsehendelen fungerer på begge bakhjulene. Ikke kjør eller skyv rullatoren mens parkeringsbremsene er i bruk.

Parkeringsbremseser: Skyv bremsehendelen (A) ned til bremsene låses. Begge bakhjulene er nå låst. Klem bremsehendelen oppover igjen for å løsne parkeringsbremsene.

Bremseser: Trekk bremsehendelen (B) oppover for å redusere hastigheten. Må ikke brukes kontinuerlig mens rullatoren er i bevegelse.

Justering/kontroll: Justering av bremsene gjøres enklest ved å snu rullatoren opp ned. Løsne mutteren (C) på bremsekabelen. Stram bremsekabelen (D) med justeringsskruen (E). Juster begge bremseklossene jevnt slik at avstanden til hjuloverflaten er ca. 1,5 mm og stram deretter mutteren (C). Pass på at bremsene ikke er justert for stramt og presser hardt inn i gummien på hjulene når parkeringsbremsen er på. Hjulene kan byttes ut hvis de er slitt eller skadet.

6 Oppreisingshåndtak

Aktiver alltid parkeringsbremsen (A) før du bruker oppreisingshåndtakene.

Uttrekk: Trekk ut oppreisingshåndtakene ved å trekke i stroppen (B) ved siden av låserattet for høydejustering. Når håndtaket er trukket helt ut og belastes nedover låses det fra å gli tilbake inn igjen.

I bruk: Når rullatoren plasseres på flatt underlag, kan håndtaket fungere som en supplerende støtte når du reiser deg eller setter deg ned.

Tilbaketrekking: Dytt håndtaket tilbake ved å løfte og skyve håndtaket lett inn igjen til håndtaket klikker på plass (C).

Brett / Nettkurv

Brett i transportposisjon: Fjerning av brettet gjøres tryggest mens du sitter.

Aktiver bremsene og hold deg godt fast. Skyv brettet hardt mot gulvet (A). Plassering av brettet i transportposisjon gjøres ved å innrette brettet med fliken (G) pekende fremover og oppover mellom ribbene på innsiden av rammen (B). Trekk bestemt opp til brettet klikker på plass på begge sider.

Montering: Løft brettet på plass ved hjelp av løftehåndtaket (C). Fliken (G) på brettet skal vende mot gangsiden av produktet. Brettet posisjoneres ved å linjere opp brettssidene med kantene på brettbasen (E), forsiden av brettet linjeres opp med den fremre tverrstangen (D) og de avrundede hjørnene på brettet.

Skyve: Når brettet plasseres på brettbasen, kan brettet trekkes mot brukeren (F) ved hjelp av den integrerte fliken (G). Brettet kan vaskes i maskin ved opptil 75 °C.

Fjerning: Skyv brettet helt frem (H). Løft brettet ved hjelp av det integrerte løftehåndtaket (I).

Nettkurv: Nettkurven kan fjernes, og vaskes forsiktig i maskin ved opp til 60 °C. Kurven er enklest å fjerne når produktet er foldet.

7 Løfteleppe / Vippefunksjon

Løfteleppe: Håndtaket har en geometri (A) som forenkler løfting av rullatoren over hindringer. Plasser fingrene rundt leppen og løft vertikalt.

Vippefunksjon: Plasser forsiden av foten på vippepedalen (B) og trekk ganghåndtakene mot deg. Dette bidrar til å vippe rullatoren over terskler, kanter etc. Merk: Vær forsiktig når du går ned i terskler osv. Ikke bruk rullatoren i trapper.

Transport

Rullatoren skal transporteres i foldet og låst posisjon (se avsnitt 3 – Utfoldelse/folding). Vær forsiktig når du laster rullatoren inn i et kjøretøy, og sikre den godt.

Lagring

Rullatoren skal oppbevares i oppreist stilling. Hvis den oppbevares utendørs, må den dekkes til for beskyttelse. Ikke la rullatoren stå uten tilsyn. Ikke legg tunge gjenstander oppå rullatoren under lagring.

Renhold

Rullatoren kan spyles og vaskes med vanlige husholdningsvaskemidler. Ikke bruk slipende vaskemidler. Unngå å skylle direkte mot kulelager (hjul, forgafler).

Desinfeksjon

Desinfeksjon må kun utføres av autorisert personell og under bruk av tilstrekkelig verneutstyr. Overflaten på rullatoren må rengjøres med et desinfeksjonsmiddel som inneholder 70-80% etanol. Vi fraråder desinfeksjonsmiddel som inneholder klor og fenol. *Produsenten kan ikke holdes ansvarlig for skader eller skader som kan oppstå ved bruk av skadelig desinfeksjonsmiddel eller desinfeksjon utført av uautorisert personell.*

Inspeksjon / Vedlikehold / Gjenbruk

Det anbefales at inspeksjon og vedlikehold utføres regelmessig (frekvensen bestemmes av hvordan og hvor ofte rullatoren brukes). Kontroller følgende elementer: Ramme, skruer, håndtak, håndtaksrør, bremses, bremsedeler, hjul og tilbehør. Dette gjelder også når rullatoren skal klargjøres for gjenbruk. Se detaljerte instruksjoner i denne bruksanvisningen om vedlikehold av bremses og rengjøring/desinfeksjon. Det anbefalte vedlikeholdet er ikke et krav, og det er ikke nødvendig med forebyggende vedlikehold, forutsatt at rullatoren brukes som indikert i denne brukerhåndboken.

Materiale / Resirkulering

Rullatoren er laget av anodiserte aluminiumprofiler, deler av PA6+30GF, PP, TPE og Polyester. De fleste av delene kan resirkuleres. Avhend rullatoren og emballasjen i henhold til gjeldende forskrifter i ditt land. Hvis du vil ha mer informasjon, kan du kontakte offentlige myndigheter.

Garanti

TOPRO Hestia er garantert fri for feil og mangler i 7 år. Skader forårsaket av feil bruk eller deler som utsettes for naturlig slitasje (f.eks. bremsekloss, bremsekabel, hjul, håndtak, oppbevaringsnett og brett) er unntatt fra 7-års garantien. For reparasjoner i garantiperioden, ta kontakt med din lokale mobilitetsbutikk eller forhandler. Garantien bortfaller hvis uautoriserte reservedeler og tilbehør har blitt eller brukes på produktet. Produktets forventede levetid er beregnet til 10 år hvis det brukes på riktig måte i henhold til denne bruksanvisningen og dens sikkerhets- og vedlikeholdsinstruksjoner.

8 Produktetikett

- 1 - Fabrikant
- 2 - Se bruksanvisningen
- 3 - Navn på modell
- 4 - Modellnummer
- 5 - Produksjonsdato
- 6 - Serienummer
- 7 - Varenummer for global handel
- 8 - GS1 DataMatrix
- 9 - Maksimal brukervekt
- 10 - Maksimal lengde på rullator
- 11 - Maksimal bredde/høyde på rullator
- 12 - Beregnet for innendørs bruk
- 13 - Medisinsk utstyr
- 14 - CE-merking

Tilbehør

	TOPRO Art. Nr.
Krykkehoder	815358
Antisklimatte for brett	815384
Flaskehoder	815843
Navneskilt	814024

Tilbehør montert på rullatoren kan påvirke stabiliteten, vi anbefaler derfor at du bruker dem med forsiktighet. Tilbehør kan bestilles separat for å gjøre det mulig å tilpasse TOPRO HESTIA til individuelle behov. Kontakt din mobilitetsbutikk, forhandler eller TOPRO for en oppdatert oversikt over tilgjengelig tilbehør eller besøk vår hjemmeside topromobility.com.

Herzlichen Glückwunsch zur Wahl eines neuen TOPRO Rollators

Jedes TOPRO-Produkt wird in Norwegen entwickelt, entworfen und hergestellt. Das Produkt entspricht der Medizinprodukteverordnung (EU) 2017/745. Es ist nach EN ISO 11199-2:2005 geprüft und zugelassen. Bitte überprüfen Sie bei Erhalt der Ware Ihr Produkt. Bei Fragen wenden Sie sich bitte umgehend an Ihr Sanitätshaus oder Händler. Wenn Sie Probleme beim Lesen dieser Bedienungsanleitung haben, finden Sie eine elektronische Version auf topromobility.com.

Verwendungszweck

Der TOPRO HESTIA soll Benutzer mit eingeschränktem Gleichgewichtssinn und/oder eingeschränkter Gehfähigkeit unterstützen. Das Produkt ist für den Innenbereich konzipiert. Es ist zum Schieben und nicht zum Ziehen gedacht. Die Aufstehgriffe sollen dem Nutzer eine zusätzliche Unterstützung beim Aufstehen/Sitzen bieten. Das Tablett bietet dem Benutzer die Möglichkeit, Gegenstände mit einem Gewicht von bis zu 5 kg zu transportieren. Der Korb ist für den Transport von Gegenständen mit einem Gesamtgewicht von bis zu 5 kg ausgelegt. Der vorgesehene Benutzer ist ein Erwachsener. Es gelten Größen- und Gewichtsbeschränkungen.

Kontraindikationen: Das Produkt ist nicht für Personen mit geringer Kraft in den Armen, mit sehr schlechtem Gleichgewicht oder mit erheblichen kognitiven Behinderungen geeignet.

Um den Rollator kennenzulernen und zu lernen, wie man ihn richtig benutzt, wird eine Schulung durch einen Fachmann empfohlen.

0 Die grauen nummerierten Kreise in dieser Bedienungsanleitung beziehen sich auf die nummerierten Informationsgrafiken und Abbildungen im Umschlag

1 Lernen Sie Ihr TOPRO Produkt kennen

- | | |
|---------------------------------|-----------------------------|
| A Gehgriff | G Aufstehgriffe |
| B Bremshebel | H Höhenverstellknopf |
| C Handgriffrohr | I Aufbewahrungsnetz |
| D Bremskabel | J Tablethalterung |
| E Verschiebbares Tablett | K Kippfunktion |
| F Klapphebel | L Produktetikett |

2 Sicherheit 

Achten Sie beim Falten / Entfalten des Rollators darauf, dass Sie Ihre Finger nicht verletzen.

Achten Sie darauf, Ihre Finger nicht in offene Löcher oder zwischen feststehende Teile zu stecken.

Stellen Sie sicher, dass der Höhenverstellknopf richtig angezogen ist.

Vergewissern Sie sich vor dem Gehen, dass das Tablett richtig in seiner Halterung liegt. Das Tablett ist kein Sitz.

Ziehen Sie im Stand, beim Abstellen und bei Verwendung der Aufstehgriffe immer die Feststellbremse (A) an.

Verwenden Sie den Rollator nicht auf Treppen. Seien Sie vorsichtig beim Überwinden von Schwellen usw.

Überprüfen Sie vor jedem Gebrauch die Bremsen und dass der Rollator in der ausgeklappten Position einrastet.

Verwenden Sie den Rollator nicht zum Transport schwerer Lasten oder Personen.

Beachten Sie, dass sich einige Teile des Rollators heiß oder kalt anfühlen können, wenn sie extremen Temperaturen ausgesetzt sind.

Nehmen Sie keine Änderungen am Produkt vor, da dies Ihre Sicherheit gefährden könnte und die Garantie erlischt.

Die gefühlte Stabilität des Produkts ist geringer, wenn Sie auf einer geneigten Fläche gehen.

Versuchen Sie nicht, auf dem Rollator (C) zu sitzen.

Um das Risiko eines Sturzes zu verringern, kippen Sie den Rollator nicht zu stark zur Seite (D)). Aus dem gleichen Grund dürfen Taschen etc. niemals an den Griffen aufgehängt werden.

Gehen Sie gerade und achten Sie darauf, dass der Rollator so nah wie möglich am Körper gehalten wird, um den richtigen Halt und die Sicherheit zu gewährleisten (E). Gehen Sie zwischen den Hinterrädern (F) und nicht hinter ihnen (G).

Beachten Sie, dass der Rollator beim Bergabgehen schneller rollen kann als Sie selbst, so dass die Gefahr besteht, dass Sie stürzen. Betätigen Sie die Fahrbremse, um die Geschwindigkeit zu regulieren (B).

Seien Sie vorsichtig, wenn Sie flatternde Röcke und Hosen tragen, da sie sich in den Rädern verfangen könnten, was zu Stürzen führen kann. Tragen Sie festes Schuhwerk, um Verletzungen zu vermeiden.

Verwenden Sie den Rollator nicht auf rutschigem Untergrund.

Halten Sie den Rollator von Feuer und heißen Gegenständen fern.

Klettern Sie nicht auf den Rollator.

3 Entfalten / Falten

Erstmals entfalten: Das Produkt wird in einer Transportposition geliefert. Legen Sie zum Aufklappen des Produkts eine Hand auf die Querstange zwischen den Gehgriffen (B) und die andere Hand auf die Querstange an der Vorderseite der Tablethalterung. Drücken Sie die Querträger auseinander, um den Entfaltungsvorgang einzuleiten. Das Produkt rastet in der normalen Faltposition ein.

Entfalten Stellen Sie das Produkt auf seine Räder, auf ebenen Boden und platzieren Sie sich auf der Laufseite des Produkts. Ziehen Sie an den beiden Klapphebeln (C), die sich in den seitlichen Öffnungen der Tablethalterung befinden. Drücken Sie die Tablethalterung nach unten, während Sie die Klapphebel zusammendrücken. Der Rollator entfaltet sich und verriegelt, wenn die Klapphebel losgelassen werden. Zur Positionierung des Tablett siehe den entsprechenden Abschnitt *Tablett / Korb*.

Falten: Entfernen Sie das Tablett. Platzieren Sie sich, wenn nötig auf einem Stuhl sitzend, auf die Laufseite des Produkts. Während Sie den Gehgriff mit dem Oberkörper (D) zurückhalten, greifen Sie beide Klapphebel (E) und ziehen Sie die Tablethalterung zu sich heran. Lösen Sie die Klapphebel und drücken Sie die Tablethalterung vorsichtig wieder nach unten, um sicherzustellen, dass die Klapphebel eingerastet sind und sich das Produkt nicht entfalten kann. Betätigen Sie die Feststellbremse, um sicherzustellen, dass das Produkt nicht wegrollt. **Tragen des Rollators:** Der Rollator darf nicht an den Bremskabeln getragen werden. Falten Sie den Rollator wie im Abschnitt *Entfalten / Falten* beschrieben. Tragen Sie den Rollator an einer der Querstangen (F) oder Rahmenseiten (G).

4 Griffe / Memory-Funktion

Höhenverstellung: Lösen Sie beide Knöpfe (H) (ca. 2 Umdrehungen). Stellen Sie die Gehgriffe (D) auf eine geeignete Höhe ein und ziehen Sie sie dann leicht nach oben und unten, bis Sie ein Klickgeräusch hören. Stellen Sie beide Griffe auf die gleiche Höhe ein, indem Sie die Zahlenskala auf jeder Seite vergleichen. Ziehen Sie die Knöpfe (H) wieder fest. Es wird empfohlen, die Griffe auf dieselbe Höhe wie Ihre Handgelenke einzustellen, wenn Ihre Arme neben Ihrem Körper hängen.

Memory-Funktion: Legen Sie die Höhe der Handgriffe fest (siehe Zahlenskala).

Zählen Sie die sichtbaren Löcher an der Rückseite der Griffrohre (F). Entfernen Sie das Tablett. Ziehen Sie die Aufstehgriffe aus (A) und führen Sie die Bremskabel nach innen (B). Halten Sie die Bremskabel gegen die Tasche (B), während Sie die Aufstehgriffe (C) einfahren. Schrauben Sie die Höheneinstellknöpfe (H) ab. Ziehen Sie die Rohre (F) aus dem Rahmen heraus. Die Befestigungsstücke (E) folgen nun den Griffrohren. Verschieben Sie die Befestigungsstücke (E) so, dass die Anzahl der Löcher über ihnen mit den zuvor gezählten Löchern übereinstimmt. Setzen Sie die roten Speicherchips (G) auf den Griffrohren in das erste verfügbare Loch unter den Befestigungsstücken (E). Drücken Sie die Griffrohre und Befestigungsstücke (I) nach unten und in die Seitenrahmen (J)). Schrauben Sie die Höhenverstellknöpfe (H) bis zur Hälfte ein. Ziehen Sie die Griffe (D) bis zum Anschlag nach oben, und drehen Sie dann die Knöpfe (H) richtig fest. Wenn sich die Griffe in der untersten Position befinden, bleiben sie von nun an in der voreingestellten Position stehen, wenn sie nach oben gezogen werden. Positionieren Sie die Bremsseile wieder an der Außenseite der Aufstehgriffe, indem Sie die Griffe erneut herausziehen und hineinschieben.

5 Bremsen

Stellen Sie sicher, dass die Bremsen vor jeder Fahrt funktionieren. Der Bremshebel funktioniert an beiden Hinterrädern. Fahren oder schieben Sie den Rollator nicht, während die Feststellbremsen in Gebrauch sind.

Feststellbremsen: Drücken Sie den Bremshebel (A) nach unten, bis die Bremsen blockieren. Beide Hinterräder sind nun blockiert. Ziehen Sie den Bremshebel nach oben, um die Feststellbremsen zu lösen.

Fahrbremsen: Ziehen Sie den Bremshebel (B) nach oben, um die Bremsen zu betätigen. Nicht ständig verwenden, während der Rollator in Bewegung ist.

Einstellen / Überprüfen: Die Bremsen lassen sich am einfachsten einstellen, indem Sie den Rollator auf den Kopf stellen. Lösen Sie die Mutter (C) am Bremskabel. Ziehen Sie das Bremskabel (D) mit der Einstellschraube (E) fest. Stellen Sie beide Bremsklötze gleichmäßig so ein, dass der Abstand zur Radoberfläche ca. 1,5 mm beträgt, und ziehen Sie dann die Mutter (C) fest. Achten Sie darauf, dass die Bremsen nicht zu fest eingestellt sind und bei angezogener Feststellbremse zu stark in den Gummi der Räder drücken. Die Räder können ausgetauscht werden, wenn sie abgenutzt oder beschädigt sind.

6 Aufstehgriffe

Ziehen Sie immer die Feststellbremse (A) an, bevor Sie die Aufstehgriffe betätigen. **Ausfahren:** Ziehen Sie die Aufstehgriffe heraus, indem Sie die Lasche (B) neben dem Höhenverstellknopf ziehen. Wenn der Griff vollständig ausgefahren ist, ist er gegen Zurückrutschen gesichert, wenn er nach unten gedrückt wird.

Im Einsatz: Wenn der Rollator auf einer ebenen Fläche steht, kann der Griff als zusätzliche Stütze beim Aufstehen oder Hinsetzen dienen.

Einfahren: Fahren Sie den Griff ein, indem Sie ihn leicht anheben und wieder hineinschieben, bis er einrastet (C).

7 Tablett / Korb

Transportposition des Tablett: Das Entfernen des Tablett erfolgt am besten im Sitzen. Ziehen Sie die Bremsen an und halten Sie sich fest am Rollator fest. Drücken Sie das Tablett fest in Richtung Boden (A). Bringen Sie das Tablett in die Transportposition, indem Sie es so halten, dass die Lasche (G) nach vorne und oben zeigt und die Seiten des Tablett mit den Rippen an der Innenseite des Rahmens (B) ausgerichtet werden. Ziehen Sie das Tablett fest nach oben, bis es auf beiden Seiten einrastet.

Montage: Heben Sie das Tablett mit dem Hebehebel (C) in die richtige Position. Die Lasche (G) am Tablett sollte zur Laufseite des Produkts zeigen. Das Tablett wird montiert, indem die Seiten des Tablett mit der Kante der Tablethalterung (E) und die Vorderseite des Tablett mit der vorderen Querstange (D) und den Bögen in den Ecken ausgerichtet werden.

Schieben: Wenn das Tablett auf der Tablethalterung steht, kann es mit der integrierten Lasche (G) zum Benutzer (F) geschoben werden. Das Tablett kann bei bis zu 75 °C in der Spülmaschine gewaschen werden.

Entfernen: Schieben Sie das Tablett ganz nach vorne (H). Heben Sie es mit Hilfe des integrierten Hebehebel (I) an.

Korb: Der Korb kann entnommen und schonend bei bis zu 60 °C in der Waschmaschine gewaschen werden. Der Korb lässt sich am einfachsten entfernen, wenn das Produkt zusammengeklappt wird.

8 Hehebügel / Kippfunktion

Hehebügel: Der Griff hat eine Geometrie (A), die das Anheben des Rollators über Hindernisse erleichtert.

Legen Sie Ihre Finger um den Bügel und heben Sie ihn vertikal an.

Kippfunktion: Stellen Sie den vorderen Teil des Fußes auf das Kippedal (B) und ziehen Sie die Handgriffe zu sich heran. Dies hilft, den Rollator **vor** Schwellen, Kanten usw. anzukippen. Bitte beachten Sie: Seien Sie beim Überwinden von Schwellen usw. vorsichtig. Benutzen Sie den Rollator nicht auf Treppen.

Transport

Der Rollator sollte in zusammengeklappter und verriegelter Position transportiert werden (siehe Absatz 3 – *Entfaltung / Falten*). Seien Sie vorsichtig, wenn Sie den Rollator in ein Fahrzeug laden, und achten Sie darauf, ihn zu sichern.

Lagerung

Der Rollator sollte in aufrechter Position gelagert werden. Wenn er im Freien gelagert wird, muss er zum Schutz abgedeckt werden. Lassen Sie Ihren Rollator nicht unbeaufsichtigt. Legen Sie während der Lagerung keine schweren Gegenstände auf den Rollator.

Reinigung

Der Rollator kann mit einem Schlauch abgespritzt und mit normalen Haushaltsreinigern gereinigt werden. Verwenden Sie keine Scheuermittel. Vermeiden Sie es, direkt gegen die Lager (Räder, Vordergabeln) zu spritzen.

Desinfektion

Die Desinfektion darf nur durch autorisiertes Personal und mit ausreichender Schutzausrüstung durchgeführt werden. Die Oberfläche des Rollators muss mit einem Desinfektionsmittel gereinigt werden, das 70-80% Ethanol enthält. Wir raten von Desinfektionsmitteln

ab, die Chlor und Phenol enthalten. *Der Hersteller kann nicht für Schäden oder Verletzungen verantwortlich gemacht werden, die durch die Verwendung schädlicher Desinfektionsmittel oder durch nicht autorisiertes Personal verursacht werden.*

Inspektion / Wartung / Wiederverwendung

Es wird empfohlen, den Rollator regelmäßig zu überprüfen und zu warten (die Häufigkeit hängt davon ab, wie und wie oft der Rollator verwendet wird). Überprüfen Sie wie folgt: Rahmen, Schrauben, Griffe, Griffrohre, Bremsen, Bremsteile, Räder und Zubehör. Dies gilt auch, wenn der Rollator für die Wiederverwendung vorbereitet werden soll. Bitte beachten Sie die detaillierten Anweisungen in dieser Bedienungsanleitung zur Wartung der Bremsen und zur Reinigung/Desinfektion. Die empfohlene Wartung ist keine Anforderung, und es ist keine vorbeugende Wartung erforderlich, sofern der Rollator gemäß dieser Bedienungsanleitung bestimmungsgemäß verwendet wird.

Material / Recycling

Der Rollator besteht aus eloxierten Aluminiumprofilen, Teilen aus PA6+30GF, PP, TPE und Polyester. Die meisten Teile können recycelt werden. Entsorgen Sie den Rollator und seine Verpackung gemäß den geltenden Vorschriften in Ihrem Land. Für weitere Informationen wenden Sie sich bitte an Ihre Behörden.

Garantie

Für den TOPRO Hestia gilt eine Garantie von 7 Jahren auf Fehler und Mängel. Ausgenommen von der 7-jährigen Garantie sind Schäden, die durch

unsachgemäßen Gebrauch entstanden sind oder Teile, die einem natürlichen Verschleiß unterliegen (z.B. Bremsklotz, Bremskabel, Rad, Griffe, Ablagenetz und Tablett). Für Reparaturen während der Garantiezeit wenden Sie sich bitte an Ihr Sanitätshaus oder Ihren Händler vor Ort. Die Garantie erlischt, wenn nicht zugelassene Ersatz- und Zubehörteile an dem Produkt verwendet wurden oder werden. Die erwartete Lebensdauer des Produkts wird auf 10 Jahre geschätzt, wenn es in Übereinstimmung mit dieser Gebrauchsanweisung und den Sicherheits- und Wartungsanweisungen verwendet wird.

9 Produktetikett

- 1 - Hersteller
- 2 - Siehe Gebrauchsanweisung
- 3 - Modellbezeichnung
- 4 - Modellnummer
- 5 - Herstellungsdatum
- 6 - Seriennummer
- 7 - Globale Handelsartikelnummer (GTIN)
- 8 - GS1 DataMatrix
- 9 - Maximales Benutzergewicht
- 10 - Maximale Länge des Rollators
- 11 - Maximale Breite / Höhe des Rollators
- 12 - Für den Innenbereich bestimmt
- 13 - Medizinisches Gerät
- 14 - CE-Kennzeichnung

Zubehör

	TOPRO Art.-Nr.
Stockhalter	815358
Antirutschmatte fürs Tablett	815384
Getränkehalter	815843
Namensschild	814024

Zubehör, das auf dem Rollator montiert ist, kann die Stabilität beeinflussen, wir empfehlen Ihnen daher, es mit Vorsicht zu verwenden. Zubehör kann separat bestellt werden, damit ein TOPRO HESTIA an individuelle Bedürfnisse angepasst werden kann. Kontaktieren Sie Ihr Sanitätshaus, Händler oder TOPRO für eine aktualisierte Übersicht über verfügbares Zubehör oder besuchen Sie unsere Homepage topromobility.com.

Gefeliciteerd met uw keuze voor een nieuwe TOPRO-rollator

Elk TOPRO-product wordt ontwikkeld, ontworpen en geproduceerd in Noorwegen. Het product voldoet aan de Medical Device Regulation (EU) 2017/745. Het is getest en goedgekeurd volgens EN ISO 11199-2:2005. Controleer bij ontvangst van de goederen uw product. Als u vragen heeft, neem dan onmiddellijk contact op met uw mobiliteitswinkel of dealer. Als u problemen ondervindt bij het lezen van deze gebruikershandleiding, is er een digitale versie beschikbaar op topromobility.com.

Beoogd gebruik

De TOPRO HESTIA moet ondersteuning bieden aan gebruikers met een verminderd evenwicht en/of verminderd loopvermogen. Het product is ontworpen voor gebruik binnenshuis. Het is ontworpen om te worden geduwd, niet getrokken. De sta-op handgrepen zijn bedoeld om de gebruiker extra ondersteuning te bieden bij het opstaan/zitten. Het dienblad biedt de gebruiker de mogelijkheid om items met een gewicht tot 5 kg te verplaatsen. Het mandje is ontworpen voor het dragen van artikelen met een gewicht tot een totaal van 5 kg. De beoogde gebruiker is een volwassene. Er gelden lengte- en gewichtsbependingen.

Contra-indicaties: Het product is niet geschikt voor personen met een weinig kracht in de armen, met een zeer slechte balans of met aanzienlijke cognitieve beperkingen.

Om de rollator te leren kennen en te leren hoe deze op de juiste manier te gebruiken, wordt training door een professional aanbevolen.

0 De grijs genummerde cirkels in deze gebruikershandleiding verwijzen naar de genummerde informatieafbeelding en illustraties in de omslag

1 Maak kennis met uw TOPRO-product

- | | |
|---------------------------------|---------------------------------|
| A Loophandvat | G Sta-op handgrepen |
| B Remhendel | H Hoogteverstellingsknop |
| C Handvatbuis | I Mandje |
| D Remkabel | J Dienbladhouder |
| E Verschuifbaar dienblad | K Drempelhulp |
| F Ontgrendel hendel | L Productlabel |

2 Veiligheid

Let er bij het opvouwen/uitvouwen van de rollator op dat u uw vingers niet bezeert.

Let op dat u uw vingers niet in open gaten of tussen stilstaande delen steekt.

Zorg ervoor dat de fixatieknop goed is aangedraaid.

Zorg ervoor dat het dienblad correct in de houder is geplaatst voordat u gaat lopen. Het dienblad is geen zitplaats.

Gebruik bij stilstaan, geparkeerd en bij gebruik van de sta-opgrepen altijd de parkeerrem (A).

Gebruik de rollator niet op trappen. Wees voorzichtig bij het overbruggen van drempels etc.

Controleer de remmen voor elk gebruik en controleer of de rollator in uitgevouwen positie is vergrendeld.

Gebruik de rollator niet om zware lading of personen te vervoeren.

Houd er rekening mee dat sommige delen van de rollator warm of koud kunnen aanvoelen bij blootstelling aan extreme temperaturen.

Wijzig het product niet, omdat dit uw veiligheid in gevaar kan brengen en de garantie hierbij vervalt.

Bij lopen op oneffen oppervlak zal u minder stabiliteit ervaren van het product.

Probeer niet op de rollator (C) te gaan zitten.

Om het risico op vallen te verkleinen, mag u de rollator niet te veel zijwaarts kantelen (D). Om dezelfde reden mogen tassen e.d. nooit aan de handvatten worden gehangen.

Om de juiste ondersteuning en veiligheid te geven, loopt u rechtdoor en zorgt u ervoor dat de rollator zo dicht mogelijk bij uw lichaam wordt gehouden (E). Loop tussen de achterwielen (F), niet erachter (G).

Houd er rekening mee dat de rollator sneller kan rollen dan u wanneer u bergafwaarts loopt, waardoor u het risico loopt om te vallen. Activeer de looprem om de snelheid (B) aan te passen.

Wees voorzichtig bij het dragen van fladderende rokken en broeken, omdat ze verstrikt kunnen raken in de wielen, wat kan leiden tot vallen. Draag stevig schoeisel om blessures te voorkomen.

Gebruik de rollator niet op gladde oppervlakken.

Houd de rollator uit de buurt van vuur en hete voorwerpen.

Klim niet op de rollator.

3 Uitvouwen / Vouwen

Eerste keer uitvouwen: Het product wordt in een transportpositie afgeleverd. Om het product uit te vouwen, plaatst u één hand op de dwarsbalk tussen de handgrepen (B) en de andere hand op de dwarsbalk aan de voorkant van de dienblad-basis (A). Duw de dwarsbalken uit elkaar om het uitvouwen te initiëren. Het product klikt in de normale gevouwen positie.

Uitvouwen: Plaats het product op de wielen, op een vlakke ondergrond en plaats uzelf aan de loopkant van het product. Trek aan de twee opvouw ontgrenselhendels (C) die zich in de zijopeningen van de dienbladhouder bevinden. Druk de ladebodem naar beneden terwijl u in de opvouwbare hendels knijpt. De rollator ontvouwt en vergrendelt wanneer de opvouw ontgrenselingen worden losgelaten. Om het dienblad te positioneren, zie speciale paragraaf *Dienblad / Mandje*.

Vouwen: Verwijder het dienblad. Plaats uzelf, zittend op een stoel indien nodig, aan de loopzijde van het product. Terwijl u de duwbeugel met uw bovenlichaam (D) tegenhoudt, pakt u beide ontgrenselhendels (E) vast en trekt u de dienbladhouder naar u toe. Laat de ontgrenselhendels los en duw de dienbladhouder voorzichtig terug naar beneden om te controleren of de ontgrenselhendels zijn ingeschakeld en het product zich niet kan ontvouwen. Gebruik de parkeerrem om ervoor te zorgen dat het product niet wegrolt.

Het dragen van de rollator: De rollator mag niet bij de remkabels worden gedragen. Vouw de rollator in zoals beschreven in de paragraaf *Uitvouwen / Vouwen*. Draag de rollator bij een van de dwarsbalken (F) of framezijden (G).

4 Handgrepen / Geheugenfunctie

Hoogteverstelling: Draai beide knoppen (H) los (ca. 2 draaiingen). Stel de handgrepen (D) in op een geschikte hoogte en trek ze vervolgens iets op en neer totdat u een klikkend geluid hoort. Stel beide handgrepen op dezelfde hoogte in door de getallenschaal aan elke kant te vergelijken. Draai de knoppen (H) opnieuw aan. *Het wordt aanbevolen dat de handgrepen op dezelfde hoogte zijn ingesteld als uw polsen wanneer uw armen naast uw lichaam hangen.*

Geheugenfunctie: Bepaal de hoogte van de handgrepen (zie getallenschaal). Tel zichtbare gaten aan de achterkant van de handvatbuizen (F). Verwijder het dienblad.

Verleng de sta-op handgrepen (A) en beweeg de remkabels naar binnen (B). Houd de remkabels tegen het mandje (B) terwijl u de sta-op handgrepen (C) induwt. Schroef de hoogteverstellingsknoppen (H) los. Trek de buizen (F) uit het frame. De bevestigingsstukken (E) volgen nu de handvatbuizen. Verplaats de bevestigingsstukken (E) zodat het aantal gaten erboven gelijk is aan de eerder getelde gaten. Plaats de rode geheugenclips (G) op de handvatbuizen in het eerste beschikbare gat onder de bevestigingsstukken (E). Duw de handvatbuizen en bevestigingsstukken (I) naar beneden en in de zijframes (J)). Schroef de hoogteverstellingsknoppen (H) halverwege vast. Trek de handgrepen (D) omhoog tot ze stoppen en draai dan de knoppen (H) goed aan. Vanaf nu, wanneer de handgrepen zich in de laagste positie bevinden, stoppen ze in de vooraf ingestelde positie wanneer ze omhoog worden getrokken. Verplaats de remkabels naar de buitenkant van de sta-op handgrepen door de handgrepen nogmaals uit te trekken / in te duwen.

5 Remmen

Zorg ervoor dat de remmen werken voor elke rit. De remhendel werkt op beide achterwielen. Rijd niet en duw niet op de rollator terwijl de parkeerremmen in gebruik zijn.

Parkeerremmen: Duw de remhendel (A) naar beneden totdat de remmen vergrendelen. Beide achterwielen zitten nu op slot. Knijp de remgreep omhoog om de parkeerremmen los te laten.

Rijdende remmen: Trek de remhendel (B) omhoog om de remmen in te zetten. Niet continu gebruiken terwijl de rollator in beweging is.

Afstellen/controleren: Het afstellen van de remmen doet u het makkelijkst door de rollator ondersteboven te draaien. Maak de moer (C) van de remkabel los. Draai de remkabel (D) vast met de stelschroef (E). Stel beide remblokken gelijkmatig af zodat de afstand tot het wieloppervlak ongeveer 1,5 mm is en draai vervolgens de moer (C) aan. Zorg ervoor dat de remmen niet te strak worden afgesteld en hard in het rubber van de wielen drukken als de parkeerrem erop staat. De wielen kunnen worden vervangen als ze versleten of beschadigd zijn.

6 Sta-op handgrepen

Zet de rollator altijd op de parkeerrem (A) voordat u de sta-op handgrepen bedient. Uitschuiven: Verleng de sta-op hand-

grepen door het lipje (B) naast de hoogteverstellingsknop uit te trekken. Wanneer het handvat volledig is uitgeschoven, wordt het vergrendeld om niet terug naar binnen te glijden wanneer het naar beneden wordt geduwd.

In gebruik: Wanneer de rollator op een vlakke ondergrond wordt geplaatst, kan het handvat fungeren als een extra ondersteuning bij het opstaan of zitten.

Intrekken: Trek de hendel in door de hendel licht op te tillen en er weer in te duwen, totdat de hendel op zijn plaats klikt (C).

7 Dienblad / Mandje

Transportpositie van het dienblad: Het verwijderen van het dienblad kan het beste zittend worden gedaan.

Houd de rem ingeknepen en houd de rollator stevig vast. Duw het dienblad stevig in de richting van de grond (A). Het plaatsen van het dienblad in de transportpositie gebeurt door het dienblad met het lipje (G) naar voren en naar boven te richten en de zijkanten van het dienblad uit te lijnen met de stangen aan de binnenkant van het frame (B). Trek stevig omhoog totdat de lade aan beide zijden op zijn plaats klikt.

Montage: Til het dienblad in positie met behulp van de hefgreep (C). Het lipje (G) op het dienblad moet naar de loopzijde van het product zijn. Het dienblad wordt gemonteerd door de zijkanten van het dienblad uit te lijnen met de rand van het dienblad (E), de voorkant van het dienblad moet worden uitgelijnd met de voorste dwarsbalk (D) en de bogen in de hoeken.

Schuiven: Wanneer het dienblad op de dienbladhouder wordt geplaatst, kan deze met behulp van het geïntegreerde lipje (G) naar de gebruiker (F) worden geschoven. Het dienblad kan in de vaatwasser gewassen worden op maximaal 75 °C.

Verwijderen: Duw het dienblad volledig naar voren (H). Til het dienblad op met behulp van de geïntegreerde hefhendel (I).

Mandje: Het mandje kan worden verwijderd en voorzichtig in de wasmachine worden gewassen tot 60 °C. Het mandje is het gemakkelijkst te verwijderen wanneer het product is opgevouwen.

8 Til lip / Drempelhulp

Tillip: Het handvat heeft een geometrie (A) die het tillen van de rollator over obstakels vergemakkelijkt. Plaats uw vingers rond de lip en til verticaal op.

Drempelhulp: Plaats de voorkant van de voet op de drempelhulp (B) en trek de loophendels naar u toe. Dit helpt de rolla-

tor over drempels, randen etc. te kantelen. Let op: Wees voorzichtig bij het overbruggen van drempels en ander obstakels. Gebruik de rollator niet op trappen.

Vervoer

De rollator moet in de gevouwen en vergrendelde positie worden vervoerd (zie paragraaf 3 – Uitvouwen / Vouwen). Wees voorzichtig bij het laden van de rollator in een voertuig en let op het vastzetten ervan.

Opslag

De rollator moet rechtop worden opgeborgen. Als het buiten wordt opgeslagen, moet het onder een afdekking zijn om het te beschermen. Laat uw rollator niet onbeheerd achter. Leg geen zware voorwerpen op de rollator tijdens het opbergen.

Reiniging

De rollator kan worden gespoten en gewassen met normale huishoudelijke wasmiddelen. Gebruik geen schuurmiddelen. Vermijd spoelen direct tegen lagers (wielen, voorvorken).

Desinfectie

Desinfectie mag alleen worden uitgevoerd door bevoegd personeel en door het dragen van voldoende beschermingsmiddelen. Het oppervlak van de rollator moet worden gereinigd met een ontsmettingsmiddel dat 70-80% ethanol bevat. Wij raden af om een desinfectiemiddel te ontsmetten dat chloor en fenol bevat. *De fabrikant kan niet verantwoordelijk worden gehouden voor eventuele schade of verwondingen die kunnen optreden met behulp van schadelijk desinfectiemiddel of desinfectie uitgevoerd door onbevoegd personeel.*

Inspectie / Onderhoud / Hergebruik

Het wordt aanbevolen om regelmatig inspectie en onderhoud uit te voeren (frequentie wordt bepaald door hoe en hoe vaak de rollator wordt gebruikt). Controleer de volgende items: Frame, schroeven, handgrepen, handvatbuizen, remmen, remonderdelen, wielen en accessoires. Dit geldt ook wanneer de rollator klaargemaakt moet worden voor hergebruik. Zie de gedetailleerde instructies in deze gebruikershandleiding over onderhoud van remmen en reiniging/desinfectie. Het aanbevolen onderhoud is geen vereiste en er is geen preventief onderhoud vereist, op voorwaarde dat de rollator wordt gebruikt zoals bedoeld volgens deze gebruikershandleiding.

Materiaal / Recycling

De rollator is gemaakt van geanodiseerde aluminium profielen, onderdelen van PA6+30GF, PP, TPE en Polyester. De meeste onderdelen kunnen worden gerecycled. Gooi de rollator en de verpakking ervan weg volgens de toepasselijke regelgeving in uw land. Neem voor meer informatie contact op met uw overheidsinstanties.

Garantie

TOPRO Hestia is gegarandeerd vrij van fouten en defecten gedurende 7 jaar. Schade veroorzaakt door onjuist gebruik of onderdelen die zijn blootgesteld aan natuurlijke slijtage (bijv. remblok, remkabel, wiel, handgrepen, opbergmandje en dienblad) zijn vrijgesteld van de garantie van 7 jaar. Neem voor reparaties tijdens de garantieperiode contact op met uw lokale mobiliteitswinkel of dealer. De garantie vervalt als er ongeautoriseerde reserveonderdelen en accessoires op

het product zijn of worden gebruikt. De verwachte levensduur van het product wordt geschat op 10 jaar als het op de juiste manier wordt gebruikt volgens deze gebruikershandleiding en de veiligheids- en onderhoudsinstructies.

9 Productlabel

- 1 - Fabrikant
- 2 - Raadpleeg de gebruiksaanwijzing
- 3 - Modelnaam
- 4 - Modelnummer
- 5 - Datum van vervaardiging
- 6 - Serienummer
- 7 - Nummer van de wereldhandelspost
- 8 - GS1 DataMatrix
- 9 - Maximaal gebruikersgewicht
- 10 - Maximale lengte van de rollator
- 11 - Maximale breedte / hoogte van de rollator
- 12 - Bedoeld voor gebruik binnenshuis
- 13 - Medisch hulpmiddel
- 14 - CE-markering

Accessoires

	TOPRO Art. Nee.
Stokhouder	815358
Antislipmatje voor dienblad	815384
Bidonhouder	815843
Naamplaatje	814024

Accessoires gemonteerd op de rollator kunnen de stabiliteit beïnvloeden, daarom raden wij u aan om ze met zorg te gebruiken. Accessoires kunnen afzonderlijk worden besteld om een TOPRO HESTIA aan te passen aan individuele behoeften. Neem contact op met uw mobiliteitswinkel, dealer of TOPRO voor een bijgewerkt overzicht van beschikbare accessoires of bezoek onze homepage topromobility.com.

Gratis till ditt val av ny TOPRO rollator

Varje TOPRO-produkt är utvecklad, designad och tillverkad i Norge. Produkten uppfyller förordningen om medicintekniska produkter (EU) 2017/745. Den är testad och godkänd enligt EN ISO 11199-2:2005. Vid mottagandet av varorna, vänligen kontrollera din produkt. Om du har några frågor, vänligen kontakta din hjälpmedelscentral eller återförsäljare omedelbart. Om du har problem med att läsa den här bruksanvisningen finns en elektronisk version topromobility.com.

Avsedd användning

TOPRO HESTIA ska ge stöd till användare med nedsatt balans och/eller nedsatt gångförmåga. Produkten är avsedd för inomhusbruk. Den är utformad för att skjutas framåt, inte dras. Uppresningshandtagen är avsedda att ge användaren extra stöd när du reser dig upp/sätter dig ner. Brickan ger användaren möjlighet att flytta föremål som väger upp till 5 kg. Korgen är konstruerad för att bära föremål som väger upp till totalt 5 kg. Rollatorn är avsedd för vuxna. Höjd- och viktbegränsningar gäller.

Kontraindikationer: Produkten är inte lämplig för personer med svag styrka i armar, med mycket dålig balans eller med betydande kognitiva funktionshinder.

För att lära känna rollatorn och lära sig att använda den på rätt sätt rekommenderas en introduktion av din fackhandlare/hjälpmiddelscentral.

0 De grå nummerade cirkelarna i denna bruksanvisning refererar till nummerade illustrationer inuti omslaget

1 Lär känna din TOPRO-produkt

- | | |
|--------------------------|----------------------------------|
| A Körhandtag | G Uppresningshandtag |
| B Bromshandtag | H Höjdjusteringsratt |
| C Handtagsrör | I Korg/ förvaringsutrymme |
| D Bromsvajer | J Brickbas |
| E Skjutbar bricka | K Steghjälp |
| F Utfällningsspak | L Produktetikett |

2 Säkerhet

När du faller ut/ihop rollatorn, var försiktig så att du inte klämmer fingrarna.

Var försiktig så att du inte fastnar med fingrarna i öppna hål eller mellan stationära delar.

Se till att höjdjusteringsratten är ordentligt åtdragen.

Se till att brickan är placerad korrekt på rollatorn innan du går. Brickan är inte en sits.

När du stoppar, parkerar eller använder uppresningshandtagen ska du alltid använda parkeringsbromsen (A).

Använd inte rollatorn i trappor. Var försiktig när du passerar trösklar etc.

Kontrollera bromsarna före varje användning och att rollatorn låser sig i utfällt läge.

Använd inte rollatorn för att transportera tung last eller personer.

Var medveten om att vissa delar av rollatorn kan kännas varma eller kalla när de utsätts för extrema temperaturer.

Modifiera inte produkten eftersom detta kan riskera din säkerhet och garantin blir ogiltig.

Produkten kan upplevas som mindre stabil vid gående på lutande underlag.

Försök inte sitta på rollatorn (C).

För att minska risken för fall, luta inte rollatorn för mycket i sidled (D). Av samma anledning ska aldrig påsar etc. hängas på handtagen.

För rätt stöd och säkerhet, gå rakt och se till att rollatorn hålls så nära kroppen som möjligt (E). Gå mellan bakhjulen (F), inte bakom dem (G).

Var medveten om att rollatorn kan rulla snabbare än du när du går i nedförsbacke, vilket kan göra att du riskerar att falla. Aktivera körbromsen för att justera hastigheten (B).

Var försiktig när du bär fladdrande kjolar och byxor eftersom de kan fastna i hjulen, vilket kan leda till fall. Använd robusta skor för att undvika skador.

Använd inte rollatorn på hala ytor.

Håll rollatorn borta från eld och heta föremål.

Klättra inte på rollatorn.

3 Utfällning / Hopfällning

Utfällning första gången: Produkten levereras i transportläge. För att fälla ut produkten placera ena handen på tvärstängningen mellan körhandtagen (B) och den andra handen på tvärstängningen fram till på brickbasen (A). Tryck isär tvärstängerna för att starta utfällningen. Produkten placeras nu i normalt hopfällt läge.

Utfällning: Placera produkten på hjulen, på plant underlag, och placera dig på produktens gångsida. Dra de två utfällningsspakarna (C) placerade i sidoöppningarna på brickbasen uppåt. Tryck ner brickbasen medan du klämmer åt spakarna. Rollatorn faller ut sig och låser sig när spakarna släpps. För att placera brickan, se stycket *Bricka / Korg*.
Hopfällning: Ta bort brickan. Placera dig själv, sittande på en stol om det anses nödvändigt, på produktens gångsida. Håll tillbaka körhandtaget med överroppen (D), greppa spakarna (E) och dra brickbasen mot dig. Släpp spakarna och tryck försiktigt tillbaka brickbasen för att kontrollera att spakarna är aktiverade och att produkten inte kan fällas ut. Aktivera parkeringsbromsen för att säkerställa att produkten inte rullar iväg.
Att bära rollatorn: Rollatorn får inte bäras i bromsvajrarna. Fäll ihop rollatorn enligt beskrivningen i avsnittet *Utfällning / Hopfällning*. Bär rollatorn i en av tvärstängerna (F) eller ramsidorna (G).

4 Handtag / Minnesfunktion

Höjdjustering: Lossa båda låsrattarna (H) (ca 2 varv). Justera körhandtagen (D) till lämplig höjd och dra dem sedan något upp och ner tills du hör ett klickljud. Justera båda handtagen till samma höjd genom att jämföra talskalan på varje sida. Dra åt rattarna (H) igen. *Vi rekommenderar att handtagen är inställda på samma höjd som handlederna när armarna hänger rakt ner längs kroppen.*

Minnesfunktion: Bestäm handtagens höjd (se nummerskala). Räkna synliga hål på baksidan av handtagets rör (F). Ta bort brickan. Dra ut upprensningshandtagen (A) och flytta bromskablarna inåt (B). Håll bromskablarna mot korgen (B) medan du trycker tillbaka upprensningshandtagen (C). Skruva loss höjdjusteringsrattarna (H). Dra ut rören (F) ur ramen. Fäststyckena (E) kommer nu att följa handtagets rör. Flytta fäststyckena (E) så att antalet hål ovanför dem motsvarar de tidigare räknade hålen. Montera de röda minnesdelarna (G) på handtagsrören i det första tillgängliga hålet under fäststyckena (E).

Tryck handtagsrören och fäststyckena ner (I) och in i sidoramarna (J). Skruva fast höjdjusteringsrattarna (H) halvvägs in. Dra upp handtagen (D) tills de stannar och dra sedan åt rattarna (H) ordentligt. Från och med nu, när handtagen är i det lägsta läget, stannar de i förinställt läge när de dras upp. Flytta bromskablarna till utsidan av upprensningshandtagen genom att dra ut/trycka tillbaka handtagen igen.

5 Bromsar

Se till att bromsarna fungerar före varje färd. Bromshandtaget fungerar på båda bakhjulen. Kör eller skjut inte rollatorn framåt medan parkeringsbromsarna används.
Parkeringsbromsar: Tryck ner bromshandtaget (A) tills bromsarna låser sig. Båda bakhjulen är nu låsta. Dra bromshandtaget uppåt för att lossa parkeringsbromsarna.
Körbromsar: Dra bromshandtaget (B) uppåt för att sänka hastigheten. Använd inte kontinuerligt när rollatorn är i rörelse.
Justering/kontroll: Justering av bromsarna görs enklast genom att ställa rollatorn upp och ned. Lossa muttern (C) på bromsvajern. Dra åt bromsvajern (D) med justeringsskruven (E). Justera båda bromsklossarna jämnt så att avståndet till hjulytan är ca 1,5 mm och dra sedan åt muttern (C). Se till att bromsarna inte är för hårt inställda och trycker hårt in i hjulens gummi när parkeringsbromsen är på. Hjulen kan bytas ut om de är slitna eller skadade.

6 Upprensningshandtag

Aktivera alltid parkeringsbromsen (A) innan du använder upprensningshandtagen.
Utfällning: Dra ut upprensningshandtagen genom att dra i fliken (B) bredvid höjdjusteringsratten. När handtaget är helt utsträckt låses det från att glida in igen när det trycks nedåt.
Användning: När rollatorn placeras på plant underlag kan handtaget fungera som ett extra stöd vid upprensning eller sittande.
Infällning: Tryck tillbaka handtaget genom att lätt lyfta och trycka tillbaka handtaget tills handtaget klickar på plats (C).

7 Bricka / Korg

Transportposition: Det är enklast att ta bort brickan när du sitter ned. Aktivera parkeringsbromsen och håll fast i rollatorn. Tryck brickan ordentligt ner mot golvet (A). Placering av brickan i transportläge görs genom att hålla brickan med fliken (G) riktad framåt och uppåt och rikta brickans sidor mot spåren på insidan av ramen (B). Dra ordentligt upp tills brickan klickar på plats på båda sidor.
Montering: Lyft brickan på plats med lyfthandtaget (C). Fliken (G) på brickan ska vara vänd mot produktens gångsida. Brickan monteras genom att rikta in brick-sidorna mot brickbasens kanter (E), brickans framsida ska riktas in mot den främre tvärstängningen (D) och kurvorna i hörnen.
Förskjutning: När brickan är placerad på brickbasen kan den dras mot användaren (F) med hjälp av den integrerade fliken (G). Brickan kan köras i diskmaskin på upp till 75 °C.
Demontering: Dra brickan helt fram (H). Lyft brickan med det integrerade lyfthandtaget (I).
Korg: Korgen kan tas bort och maskintvättas försiktigt på upp till 60 °C. Korgen är lättast att ta bort när produkten är ihopfälld.

8 Lyftgrepp / Steghjälp

Lyftgrepp: Handtaget har en geometri (A) som underlättar vid lyft av rollatorn över hinder. Placera fingrarna runt greppet och lyft vertikalt.
Steghjälp: Placera främre delen av foten på pedalen (B) och dra gånghandtagen mot dig. Detta hjälper till att luta rollatorn över trösklar, kanter etc. Observera: Var försiktig när du passerar trösklar etc. Använd inte rollatorn i trappor.

Transport

Rollatorn ska transporteras i hopfällt och låst läge (se punkt 3 – *Utfällning / hopfällning*). Var försiktig när du lastar in rollatorn i ett fordon och var uppmärksam på att säkra den.

Lagring

Rollatorn ska förvaras i upprätt läge. Om den förvaras utomhus bör den täckas över för att skyddas. Lämna inte rollatorn utan uppsikt. Lägg inte tunga föremål ovanpå rollatorn under förvaring.

Rengöring

Rollatorn kan spolås och tvättas med vanliga hushållstvättmedel. Använd inte slipmedel. Undvik spolning direkt mot lager (hjul, framgafflar).

Desinfektion

Desinficering får endast utföras av behörig personal och genom att tillräckligt med skyddsutrustning används. Rollatorns yta måste rengöras med ett desinfektionsmedel som innehåller 70–80% etanol. Vi avråder från desinfektionsmedel som innehåller klor och fenol. *Tillverkaren kan inte hållas ansvarig för skador som kan uppstå vid användning av skadligt desinfektionsmedel eller desinfektion som utförs av obehörig personal.*

Inspektion / Underhåll / Rekonditionering

Det rekommenderas att inspektion och underhåll utförs regelbundet (frekvensen bestäms av hur och hur ofta rollatorn används). Kontrollera följande: Ram, skruvar, handtag, handtagsrör, bromsar, bromsdelar, hjul och tillbehör. Detta gäller även när rollatorn ska förberedas för återanvändning. Se detaljerade instruktioner i denna bruksanvisning om underhåll av bromsar och rengöring/desinfektion. Det rekommenderade underhållet är inte ett krav, och inget förebyggande underhåll krävs förutsatt att rollatorn används som avsett enligt denna bruksanvisning.

Material / Återvinning

Rollatorn är tillverkad av anodiserade aluminiumprofiler, delar av PA6+30GF, PP, TPE och Polyester. De flesta delar kan återvinnas. Kassera rollatorn och dess förpackning i enlighet med gällande regler i ditt land. För information, vänligen kontakta dina myndigheter.

Garanti

TOPRO Hestia är garanterad fri från fel och defekter i 7 år. Skador som orsakas av felaktig användning eller delar som utsätts för naturligt slitage (t.ex. bromsblock, bromsvajer, hjul, handtag, korg och bricka) är undantagna från 7 års garanti. För reparationer under garantiperioden, vänligen kontakta din lokala hjälpmedelscentral eller återförsäljare. Garantin upphör att gälla om otillåtna reservdelar och tillbehör har använts eller används på produkten. Produktens förväntade livslängd beräknas vara 10 år om den används på rätt sätt enligt denna bruksanvisning och dess säkerhets- och underhållsanvisningar.

9 Produktetikett

- 1 - Tillverkare
- 2 - Läs bruksanvisningen
- 3 - Modellnamn
- 4 - Modellnummer
- 5 - Tillverkningsdatum
- 6 - Serienummer
- 7 - Artikelnummer för global handel (GTIN-kod)
- 8 - GS1 DataMatrix
- 9 - Maximal användarvikt
- 10 - Maximal rollatorlängd
- 11 - Maximal bredd/höjd på rollatorn
- 12 - Avsedd för inomhusbruk
- 13 - Medicinteknisk produkt
- 14 - CE-märkning

Tillbehör

	TOPRO Art. No.
Käpphållare	815358
Antiglidskydd för bricka	815384
Flaskhållare	815843
Namnbricka	814024

Tillbehör monterade på rollatorn kan påverka stabiliteten, vi rekommenderar därför att du använder dem med försiktighet. Tillbehör kan beställas separat för att göra det möjligt att anpassa en TOPRO HESTIA efter individuella behov. Kontakta din hjälpmedelscentral, återförsäljare eller TOPRO för en uppdaterad översikt över tillgängliga tillbehör eller besök vår hemsida topromobility.com.

Tillykke med dit valg af den nye TOPRO-rollator

Alle TOPRO-produkter er udviklet, designet og fremstillet i Norge. Produktet overholder EU's forordning (EU) 2017/745 for medicinsk udstyrs sikkerhed og ydeevne. Det er desuden testet og godkendt iht. EN ISO 11199-2:2005. Når du har modtaget rollatoren, beder vi dig tjekke, om alt er i orden. Har du spørgsmål, beder vi kontakte din mobilitetsbutik eller forhandler. Har du problemer med at læse denne brugervejledning, kan du se den online på topromobility.com.

Brugen af produktet

TOPRO HESTIA er beregnet til at yde støtte til brugere med nedsat balancsevne og/eller gangevne. Produktet er til indendørs brug. Det er beregnet til at blive skubbet, ikke trukket. Opstigningshåndtagene har til formål at give brugeren supplerende støtte, når du skal op at stå eller sidde ned. Bakken giver brugeren mulighed for at transportere ting, der vejer op til 5 kg. Kurven er beregnet til transport af ting, der samlet vejer op til 5 kg. Rollatoren er til voksne brugere. Der er begrænsninger mht. brugerens højde og vægt.

Kontraindikationer: Produktet er ikke egnet til personer med lille styrke i armene, med meget dårlig balance eller med betydelige kognitive handicap.

For at lære rollatoren bedre at kende og bruge den korrekt anbefaler vi undervisning og vejledning af en fagperson.

0 Tallene i de grå cirkler refererer til den nummererede grafik og til illustrationerne, som du finder inde i omslaget

1 Lær dit TOPRO-produkt at kende

- | | |
|-----------------------------|--------------------------------------|
| A Gåhåndtag | G Opstigningshåndtag |
| B Bremsereg | H Låsehjul for højdejustering |
| C Rør til håndtag | I Opbevaringsnet |
| D Bremskabel | J Bakkebund |
| E Indstillelig bakke | K Vippefunktion |
| F Foldehåndtag | L Produktmærke |

2 Sikkerhed

Pas på dine fingre, når du klapper rollatoren sammen, eller folder den ud.

Sæt ikke fingrene i åbne huller eller mellem faste dele.

Sørg for, at låsehjulet til højdejustering for håndtagene er strammet godt til.

Sørg for, at bakken er placeret korrekt, før du går. Bakken er ikke et sæde.

Når du holder stille, parkeret eller bruger opstigningshåndtagene til at komme op og ned, skal du altid aktivere parkeringsbremsen (A).

Brug ikke rollatoren på trapper. Vær forsigtig, når du går over dørtrin og lignende.

Kontroller bremserne før brug hver gang, og at rollatoren er låst i udfoldet position.

Brug ikke rollatoren til at transportere meget tunge ting eller personer.

Vær opmærksom på, at nogle dele af rollatoren kan føles varme eller kolde, når de udsættes for ekstreme temperaturer.

Du må ikke ændre produktet, det kan bringe din sikkerhed i fare, og garantien bliver ugyldig.

Du vil opleve produktet som mindre stabilt, når du går på et skråt/ujævnt underlag.

Forsøg ikke at sidde på rollatoren (C).

For at undgå risikoen for at falde, må du ikke vippe rollatoren for meget sidelæns (D). Af samme grund må poser og lign. aldrig hænges på håndtagene.

For at give den rette støtte og sikkerhed skal du gå lige og søge for, at rollatoren holdes så tæt på kroppen som muligt (E). Gå mellem baghjulene (F), ikke bag dem (G).

Vær opmærksom på, at rollatoren kan rulle hurtigere end dig, når du går ned ad bakke, hvilket kan føre til fald. Brug kørebremserne for at justere hastigheden (B).

Vær forsigtig, hvis du har flagrende bukser og nederdele på, da de kan blive fanget i hjulene, hvilket kan føre til fald. Brug robust fodtøj for at undgå skader.

Brug ikke rollatoren på glat underlag.

Hold rollatoren væk fra ild og varme genstande.

Kravl ikke op på rollatoren.

3 At folde ud og sammen

Brugtagning første gang: Produktet leveres i transportindstilling. Klargøring: Hold den ene hånd på det tværgående rør mellem gåhåndtagene (B) og den anden hånd på røret foran bakkebunden (A). Skub nu rørene fra hinanden for at folde rollatoren ud. Så klikker den ind i den normale, foldede position.

At folde ud: Stil rollatoren på hjulene på et jævnt underlag, og placér dig selv på 'gåsiden' af rollatoren. Træk i de to foldehåndtag (C) i åbningerne, du finder i siden af bakkebunden. Tryk bakkebunden ned, mens du aktiverer foldehåndtagene. Rollatoren foldes ud og låser, når du igen slipper foldehåndtagene. For indstilling af bakken, se særskilt afsnit om kurv og bakke.

At folde sammen: Tag bakken af. Sæt dig om nødvendigt på en stol på rollatorens 'gåsideside'. Mens du holder gåhåndtaget tilbage med overkroppen (D), skal du gribe fat i både foldehåndtag (E) og trække bakkeholderen mod dig. Slip foldehåndtagene, og skub forsigtigt bakkeholderen ned igen for at kontrollere, at foldehåndtagene er i indgreb, og produktet ikke kan folde sig ud. Brug parkeringsbremsen for at sikre, at produktet ikke ruller væk.

Transport af rollatoren: Rollatoren må ikke bæres i bremsekablerne. Fold rollatoren som beskrevet i afsnit *At folde ud og sammen*. Bær rollatoren i en af tværstængerne (F) eller rammesiderne (G).

4 Håndtag / Memoryfunktion

Højdejustering: Løsn begge låsehjul (H) (ca. 2 omgange). Juster gåhåndtagene (D) til en passende højde, og bevæg dem derefter lidt op og ned, indtil du hører et klik. Juster begge håndtag til samme højde ved at sammenligne talskalaen på hver side. Stram låsehjulene (H) igen. *Vi anbefaler, at du indstiller håndtagene til samme højde som dine håndled, når dine arme hænger langs kroppen.*

Memoryfunktion: Find den optimale højde for håndtagene (se talskala). Tæl synlige huller bag på stængerne til håndtagene (F). Tag bakken af. Forlæng de justerbare håndtag (A), og flyt bremsekablerne indad (B). Hold bremsekablerne mod posen (B), mens du trækker de justerbare håndtag op (C). Skru højdejusteringshjulene (H) af. Træk rørene (F) ud af rammen. Fastgørelsesstykkerne (E) følger nu håndtagene. Flyt fastgørelsesstykkerne (E), så antallet af huller over dem svarer til de optalte huller. Fastgør nu de røde memoryclips (G) på

håndtagene i det først tilgængelige hul under fastgørelsesstykkerne (E). Skub håndtagene og fastgørelsesstykkerne (I) ned og ind i siderammerne (J). Skru højdejusteringshjulene (H) halvvejs ind. Træk i håndtagene (D), indtil de stopper, og stram derefter låsehjulene (H) korrekt. Når håndtagene er i laveste position, vil de fra nu af stoppe i den forudindstillede position, når du trækker dem op. Flyt bremsekablerne tilbage på ydersiden af de justerbare håndtag ved at forlænge/trække håndtagene tilbage igen.

5 Bremses

Sørg for hver tur for, at bremsene virker. Bremsegrebet virker på begge baghjul. Køør eller skub ikke på rollatoren, mens parkeringsbremsene er i brug.

Parkeringsbremse: Skub bremsegrebet (A) ned, indtil bremsene låses. Begge baghjul er nu låst. Klem bremsegrebet opad for at frigøre parkeringsbremsene.

Kørebremse: Træk bremsegrebet (B) opad for at aktivere bremsene. *Må ikke bruges kontinuerligt, mens rollatoren er i bevægelse.*

Justering/kontrol: Det er nemmest at justere bremsene ved at vende rollatoren på hovedet. Løsn møtrikken (C) på bremsekablet. Stram bremsekablet (D) med justeringsskruen (E). Juster begge bremseklodser jævnt, så afstanden til hjuloverfladen er ca. 1,5 mm, og stram derefter møtrikken (C). Sørg for, at bremsene ikke justeres for stramt og presser hårdt ind i hjulenes gummi, når parkeringsbremsen er aktiveret. Hjulene kan udskiftes, hvis de er slidte eller beskadigede.

6 Justerbare håndtag

Aktiver altid parkeringsbremsen (A), før du tager opstigningshåndtagene i brug.

Forlængelse: Forlæng håndtaget ved at trække i remmen (B), der er placeret ved siden af hjulet for højdejustering. Når håndtaget er fuldt forlænget, bliver det låst, så det ikke glider ind igen, når det skubbes nedad.

Anvendelse: Når rollatoren står på et plant underlag, kan opstigningshåndtagene fungere som supplerende støtte, når du skal op eller ned.

Tilbagestrækning: Træk opstigningshåndtagene tilbage ved let at løfte og skubbe dem ind igen, indtil de klikker på plads (C).

7 Bakke / Kurv

Transportposition: Du fjerner bedst bakken, mens du sidder. Aktivér bremsene og hold godt fast på rollatoren. Skub bakken ned mod gulvet (A). Placér bakken i transportposition ved at holde bakken, så tappen (G) peger fremad og opad. Placér bakken, så det passer med indhakkene på indersiden af rammen på rollatoren (B). Træk godt op, indtil bakken klikker på plads på begge sider.

Montering: Løft bakken på plads ved hjælp af løftehåndtaget (C). Tappen (G) på bakken skal vende mod den side, du går på. Bakken monteres ved at tilpasse dens position til kanterne på bakkeholderen (E). Forsiden af bakken skal flugte med den forreste overligger (D) og buerne i hjørnerne.

Kan flyttes: Når bakken placeres i bakkeholderen, kan du trække den ind mod dig selv (F) ved hjælp af tappen (G). Bakken kan maskinvaskes ved op til 75 °C.

Afmontering: Skub bakken helt frem (H). Løft den ved hjælp af løftehåndtaget (I).

Kurv: Kurven kan fjernes og maskinvaskes forsigtigt ved op til 60 °C. Kurven er nemmest at fjerne, når produktet er foldet sammen.

8 Løftehåndtag / Vippefunktion

Løftehåndtag: Håndtaget har en geometri (A), der gør det lettere at løfte rollatoren på tværs af forhindringer. Placér fingrene rundt om håndtaget, og løft lodret.

Vippefunktion: Placér det forreste af din fod på vippepedalen (B) og træk gåhåndtagene mod dig. Dette hjælper dig med at vippe rollatoren over dørtrin og kanter mv. Bemærk: Vær forsigtig, når du krydser dørtrin og lignende. Brug ikke rollatoren på trapper.

Transport

Rollatoren bør transporteres i sammenfoldet, låst position (se pkt. 3 – At folde ud og sammen). Vær forsigtig, når du lægger rollatoren ind i et køretøj, og vær opmærksom på at sikre den.

Opbevaring

Rollatoren skal opbevares i opretstående stilling. Hvis den opbevares udendørs, skal den være under et beskyttende cover. Lad ikke rollatoren være uden opsyn. Læg ikke tunge genstande oven på rollatoren under opbevaring.

Rengøring

Rollatoren kan spules og vaskes med normale husholdningsvaskemidler. Brug ikke slibende midler. Undgå at spule direkte mod lejer (hjul og forgafler).

Desinfektion

Desinfektion skal udføres af autoriseret personale, der bærer passende værnemidler. Rollatorens overflade skal rengøres med et desinfektionsmiddel, der indeholder 70–80 % ethanol. Vi fraråder desinfektionsmiddel, der indeholder klor og phenol. *Fabrikanten kan ikke holdes ansvarlig for beskadigelser eller skader, der kan opstå ved brug af skadelige desinfektionsmidler eller desinfektion udført af uautoriseret personale.*

Eftersyn / Vedligeholdelse / Genanvendelse

Vi anbefaler at udføre eftersyn og vedligeholdelse regelmæssigt (hyppigheden bestemmes af, hvordan og hvor ofte rollatoren anvendes). Kontroller følgende: Ramme, skruer, håndtag, håndtagenes rør, bremses, bremsedele, hjul og tilbehør. Det gælder også, når rollatoren skal forberedes til andre brugere. Se detaljerede instruktioner i denne brugervejledning om service på bremses samt rengøring/desinfektion. Den anbefalede vedligeholdelse er ikke et krav, og der kræves ingen forebyggende vedligeholdelse, hvis rollatoren bruges efter hensigten i henhold til denne vejledning.

Materiale / Genbrug

Rollatoren er produceret af anodiserede aluminiumsprofiler, delene er fremstillet af PA6+30GF, PP, TPE og polyester. De fleste dele kan genbruges. Bortskaf rollatoren og dens emballage, når det bliver nødvendigt, i henhold til gældende regler i dit land. Kontakt dine offentlige myndigheder for uddybende oplysninger.

Garanti

TOPRO Hestia er garanteret fri for fejl og mangler i 7 år. Skader forårsaget af forkert brug eller dele, der udsættes for naturlig slitage (f.eks. bremsklodser og -kabler, hjul, håndtag, opbevaringsnet og bakke) er undtaget fra garantien. For reparation i garantiperioden skal du kontakte din lokale mobilitetsbutik eller forhandler. Garantien er ugyldig, hvis der er anvendt uautoriserede reservedele eller tilbehør til produktet. Produktets forventede levetid anslås til at være 10 år, hvis det anvendes korrekt i henhold til denne brugervejledning samt dens sikkerheds- og vedligeholdelsesinstruktioner.

9 Produktmærke

- 1 - Fabrikant
- 2 - Se brugsanvisningen
- 3 - Modelnavn
- 4 - Modelnummer
- 5 - Fremstillingsdato
- 6 - Serienummer
- 7 - Varenummer til global handel
- 8 - GS1 DataMatrix
- 9 - Maksimal brugervægt
- 10 - Maksimal længde på rollator
- 11 - Maksimal bredde/højde på rollator
- 12 - Beregnet til indendørs brug
- 13 - Medicinsk udstyr
- 14 - CE-mærking

Tilbehør

	TOPRO Art. No.
Krykkeholder	815358
Skridsikker måtte til bakke	815384
Flaskeholder	815843
Navneskilt	814024

Tilbehør monteret på rollatoren kan påvirke stabiliteten. Vi anbefaler derfor, at du bruger tilbehøret med omhu. Tilbehør kan bestilles separat, så rollatoren kan tilpasses individuelle behov. Kontakt din mobilitetsbutik, forhandler eller TOPRO for at få et opdateret overblik over tilgængeligt tilbehør eller besøg vores hjemmeside topromobility.com.

Onnittelut uudesta TOPRO-rollaattoristasi!

Jokainen TOPRO-tuote on kehitetty, suunniteltu ja valmistettu Norjassa. Tämä tuote noudattaa Euroopan unionin asetusta 2017/745 lääkinnällisistä laitteista. Se on testattu ja hyväksytty EN ISO 11199-2:2005 mukaisesti. Tarkista tuote huolellisesti vastaanottaessasi sen. Jos sinulla on kysyttävää, ota välittömästi yhteyttä tuotteen jälleenmyyjään tai ostopaikkaan. Jos sinulla on vaikeuksia lukea tätä käyttöopasta, sähköinen versio on saatavilla osoitteessa topromobility.com.

Käyttötarkoitus

TOPRO HESTIA on suunniteltu henkilöille, joiden tasapaino tai liikuntakyky on heikentynyt. Tuote on tarkoitettu sisäkäyttöön. Tuote on suunniteltu työntäväksi, ei vedettäväksi. Nousukahvat on suunniteltu tarjoamaan käyttäjälle lisätukea, kun käyttäjä istuu tai nousee seisomaan. Tarjotimella käyttäjä voi kuljettaa enintään 5 kg:n painoisia esineitä. Kori on suunniteltu enintään 5 kg:n painoisten esineiden kuljettamiseen. Tuote on tarkoitettu aikuisille. Tuotetta koskevat pituus- ja painorajoitukset.

Käytön vasta-aiheet: Tuote ei sovellu käytettäväksi henkilöillä, joilla on erittäin heikot käsivoimat, erittäin heikko tasapaino tai merkittäviä kognitiivisia häiriöitä.

Suosittelemme, että ammattilainen auttaa käyttäjää tutustumaan rollaattoriin ja sen käyttöön.

0 Tämän käyttöoppaan harmaat numeroidut ympyrät viittaavat numeroituun tuotekaavioon ja kuviin, jotka löytyvät kannen sisäpuolelta

1 Tutustu TOPRO-tuotteesi eri osiin

- | | |
|---------------------------|------------------------------|
| A Kävelykahva | G Nousukahvat |
| B Jarrukahva | H Korkeudensäätönuppi |
| C Kahvan putki | I Tavarakori |
| D Jarrukaapeli | J Tarjotinjalusta |
| E Liukuva tarjotin | K Kallistustoiminto |
| F Kokoontaittovipu | L Tuotekilpi |

2 Turvallisuusohjeita 

Varo sormiasi, kun taitat rollaattorin auki tai kokoon.

Älä työnnä sormia avoimiin aukkoihin tai liikkuvien osien väliin.

Varmista, että korkeudensäätönuppi on kiristetty huolellisesti.

Varmista ennen liikkeelle lähtemistä, että tarjotin on kiinnitetty huolellisesti jalustaansa. Tarjotinta ei ole tarkoitettu istumiseen.

Käytä seisontajarrua (A) aina, kun rollaattori on pysähdyksissä tai pysäköitynä tai kun käytät nousukahvoja.

Älä käytä rollaattoria portaissa. Ole varovainen ylittäessäsi kynnyksiä.

Tarkista jarrut aina ennen käyttöä ja varmista, että rollaattori on lukittunut auki-asentoon.

Älä käytä rollaattoria raskaiden kuormien tai henkilöiden kuljettamiseen.

Huomaa, että rollaattorin osat voivat tuntua kuumilta tai kylmiltä äärimmäisissä lämpötiloissa.

Älä tee muutoksia tuotteeseen, sillä se voi vaarantaa turvallisuutesi ja johtaa takuun raukeamiseen.

Kaltevalla pinnalla liikkuminen heikentää tuotteen vakautta.

Älä yritä istua rollaattorin päällä (C).

Kaatumisvaaran ehkäisemiseksi älä kallista rollaattoria liikaa sivuttain (D). Samasta syystä laukkuja ja vastaavia ei tule koskaan ripustaa rollaattorin kahvoihin.

Mahdollisimman hyvän tuen sekä turvallisuuden varmistamiseksi kävele suorassa ja pidä rollaattori mahdollisimman lähellä vartaloasi (E). Kävele takapyörien välissä (F), älä niiden takana (G).

Huomaa, että rollaattori voi liikkua alamäessä sinua nopeammin, mikä voi aiheuttaa kaatumisvaaran. Käytä jarrutus-toimintoa nopeuden säätämiseksi (B).

Varo, ettei hameenhelma tai housunlahje jää rollaattorin pyörien väliin, sillä tämä voi aiheuttaa kaatumisriskin. Käytä tukevia jalkineita onnettomuuksien ehkäisemiseksi.

Älä käytä rollaattoria liukkaalla alustalla.

Älä altista rollaattoria tulelle tai kuumille esineille.

Älä kiipeä rollaattorin päälle.

3 Avaaminen / Kokoon taittaminen

Avaaminen ensimmäisellä kerralla:

Tuote toimitetaan kokoon taitettuna. Taita rollaattori auki asettamalla toinen kätesi kävelykahvojen väliselle poikkitaungolle (B) ja toinen kätesi tarjotinjalustan edessä olevalle poikkitaungolle (A). Paina poikkitaungot pois päin toisistaan avataksesi rollaattorin. Tuote napsahtaa normaaliin kokoontaitettuun asentoon. **Avaaminen:** Aseta rollaattori pyörien päälle tasaiselle alustalle. Asetu rollaattorin käyttäjäpuolelle. Vedä taittokahvoista (C), jotka sijaitsevat tarjotinjalustan sivuilla olevissa aukoissa. Paina tarjotinjalustaa alaspäin ja purista samalla molempia taittokahvoja. Rollaattori avautuu ja lukittuu, kun taittokahvat vapautetaan. Aseta tarjotin paikoilleen sitä koskevien ohjeiden mukaisesti (ks. kohta *Tarjotin / Kori*).

Kokoon taittaminen: Poista tarjotin.

Asetu rollaattorin käyttäjäpuolelle (voit istua tuolilla, mikäli tarpeen). Paina kävelykahvaa ylävartalollasi (D) ja tartu samalla molempiin taittokahvoihin (E) ja vedä tarjotinjalustaa itseäsi päin. Vapauta taittokahvat ja työnnä tarjotinjalustaa varovasti takaisin alas varmistaaksesi, että taittokahvat ovat lukittuneet eikä rollaattori taitu auki. Aktivoi seisontajarru, jotta rollaattori ei liu'u.

Rollaattorin kantaminen: Rollaattoria ei saa kantaa jarrukaapeleista. Taita rollaattori kokoon käyttöohjeiden mukaisesti (ks. kohta *Avaaminen / Kokoon taittaminen*). Kanna rollaattoria poikkitaungoista (F) tai jaloista (G).

4 Kahvat / Muistitoiminto

Korkeudensäätö: Löysää molemmat säätönupit (H) (edellyttää n. kahta kierrosta). Säädä kävelykahvat (D) sopivalle korkeudelle ja lukitse ne vetämällä niitä hieman ylös- tai alaspäin, kunnes ne napsahtavat paikoilleen. Säädä molemmat kahvat samalle korkeudelle vertaamalla kummankin puolen numeroasteikkoja. Kiristä säätönupit uudelleen (H).

Suosittellemme säätämään kävelykahvat käyttäjän ranteiden korkeudelle, kun tämän kädet riippuvat vapaina vartalon vierellä.

Muistitoiminto: Valitse haluamasi kahvojen korkeus (ks. numeroasteikko). Laske kahvaputken takana näkyvien aukkojen määrä (F). Poista tarjotin. Vedä nousukahvat (A) esiin ja siirrä jarrukaapelit nousukahvojen sisäsyrrjälle (B). Pidä jarrukaapelit lokeroa (B) vasten samalla, kun työnnät nousukahvat (C) takaisin putken sisään. Löysää korke-

udensäätönuppeja (H). Vedä putket (F) ulos rungosta. Kiinnitysosat (E) tulevat nyt ulos kahvaputkien mukana. Siirrä kiinnitysosat (E) niin, että niiden yläpuolelle jäävien aukkojen määrä vastaa aiempaa aukkojen lukumäärää. Aseta punaiset muistipalat (G) kahvaputkien ensimmäiseen vapaaseen aukkoon kiinnitysosien alapuolelle (E). Työnnä kahvaputket ja kiinnitysosat (I) alas ja takaisin runko-osien sisään (J). Kierrä korkeudensäätönupit (H) puolitiehen. Vedä kahvat (D) ylös asti ja kiristä sitten säätönupit (H) huolellisesti. Muistitoiminto on nyt aktivoitu: kun kahvat ovat alimassa asennossa, ne asettuvat ennalta valitulle korkeudelle nostettaessa ylös. Siirrä jarrukaapelit nousukahvojen ulkosyrrjälle vetämällä kahvat taas esiin ja työntämällä ne sitten takaisin putkeen.

5 Jarrut

Varmista jarrujen toimivuus aina ennen käyttöä. Jarrukahva vaikuttaa molempiin takapyöriin. Älä liikuta tai työnnä rollaattoria, kun seisontajarrut ovat käytössä.

Seisontajarrut: Paina jarrukahvaa (A) alaspäin, kunnes jarrut lukittuvat. Molemmat takapyörät on nyt lukittu. Vapauta seisontajarrut puristamalla jarrukahvaa ylöspäin.

Jarrutustoiminto: Vedä jarrukahvaa (B) ylöspäin jarruttaaksesi. Älä jarruta jatkuvasti, kun rollaattori on liikkeessä.

Säätäminen / Tarkistaminen: Jarrujen säätäminen onnistuu helpoiten, kun rollaattori käännetään ylösalaisin. Löysää jarrukaapelin mutteria (C). Kiristä jarrukaapelia (D) säätöruuvilla (E). Säädä molempia jarrupaloja tasaisesti niin, että pyörien pintaan jää noin 1,5 mm:n väli. Kiristä sitten mutteri (C). Varmista, että jarruja ei ole säädetty liian kireälle ja että ne eivät paina liian kovaa pyörien kumipintaan, kun seisontajarru on päällä. Kuluneet tai vahingoittuneet pyörät ovat vaihdettavissa uusiin.

6 Nousukahvat

Aktivoi seisontajarru (A) aina ennen nousukahvojen käyttöä.

Esiin vetäminen: Vedä nousukahvat esiin vetämällä korkeudensäätönupin vieressä olevaa kielekettä (B). Kun kahva on vedetty täyteen pituuteensa, se lukittuu, jotta se ei liu'u takaisin painettaessa alaspäin.

Käytön aikana: Kun rollaattori on tasaisella alustalla, nousukahva tarjoaa lisätukea istuutumisen tai seisomaan nousemisen yhteydessä.

Nousukahvan piilottaminen:

Piilota nousukahva nostamalla ja työntämällä se takaisin putkeen, kunnes kahva lukittuu paikoilleen (C).

7 Tarjotin / Kori

Tarjottimen kuljetusasento: Tarjottimen irrottaminen onnistuu parhaiten istuallaan. Aktivoi jarrut ja pidä tiukasti kiinni rollaattorista. Työnnä tarjotinta voimakkaasti kohti lattiaa (A). Aseta tarjotin kuljetusasentoon pitämällä tarjottimesta kiinni samalla, kun tarjottimen kieleke (G) osoittaa eteenpäin ja ylöspäin. Kohdistaa sitten tarjottimen reunat kehyksen sisäpuolella oleviin ulokkeisiin (B). Vedä voimakkaasti ylöspäin, kunnes tarjotin napsahtaa paikoilleen molemmilta reunoilta.

Asennus: Nosta tarjotin paikoilleen nostokahvasta (C). Tarjottimen kielekkeen (G) tulee olla rollaattorin käyttäjän puolella. Tarjotin asennetaan kohdistamalla tarjottimen reunat tarjotinjalustan reunaan (E). Tarjottimen etureunan tulee olla samassa kohtaa kuin etummainen poikkitaungo (D) ja kulmien kaaret.

Liu'uttaminen: Kun tarjotin on asetettu tarjotinjalustalle, sitä voidaan liu'uttaa käyttäjään (F) päin sisäänrakennetun kielekkeen avulla (G). Tarjotin voidaan pestä astianpesukoneessa enintään 75 °C:ssa.

Irrrottaminen: Työnnä tarjotin mahdollisimman eteen (H). Nosta tarjotinta integroidusta nostokahvasta (I).

Kori: Kori voidaan irrottaa ja pestä astianpesukoneessa enintään 60 °C:ssa. Korin irrottaminen onnistuu helpoiten, kun rollaattori on kokoon taitettu.

8 Nostokieleke / Kallistustoiminto

Nostokieleke: Kahvan muotoilu (A) on suunniteltu helpottamaan rollaattorin liikuttamista esteiden yli. Aseta sormesi kielekkeen ympärille ja nosta ylöspäin.

Kallistustoiminto: Aseta jalkaterä kallistuspolkimelle (B) ja vedä kävelykahvoja itseäsi kohti. Näin rollaattori voidaan kallistaa kynnysten, reunojen ja vastaavien yli. Huomaa: Ole varovainen ylittäessäsi kynnyksiä ja vastaavia. Älä käytä rollaattoria portaissa.

Kuljetus

Rollaattorin tulee olla kokoon taitettu ja lukittu kuljetusta varten (ks. kohta 3 – Avaaminen / Kokoon taittaminen). Varmista rollaattorin huolellinen kiinnitys, jos se lastataan ajoneuvoon.

Varastointi

Rollaattori tulee säilyttää pystyasennossa. Jos rollaattori varastoidaan ulkotiloissa, se tulee suojata. Älä jätä rollaattoriasi ilman valvontaa. Älä säilytä painavia esineitä rollaattorin päällä.

Puhdistaminen

Rollaattorin voi suihkuttaa vedellä ja pestä tavallisilla talouspuhdistusaineilla. Älä käytä hankausaineita. Vältä veden suihkuttamista suoraan laakereihin (pyörät, etuhaarukat).

Desinfiointi

Vain ammattitaitoiset henkilöt, joilla on käytössään riittävät suojavarusteet, saavat desinfioida rollaattorin. Rollaattorin pinta on puhdistettava desinfiointiaineeella, joka sisältää 70–80 % etanolia. Emme suosittele käyttämään klooria tai fenoleja sisältäviä desinfiointiaineita. *Valmistaja ei ole vastuussa mahdollisista vaurioista tai vahingoista, jotka johtuvat haitallisten desinfiointiaineiden käytöstä tai muiden kuin ammattilaisten suorittamasta desinfioinnista.*

Tarkistus / Huolto / Uudelleenkäyttö

Suosittellemme tarkistamaan ja huoltamaan rollaattoria säännöllisesti (riippuen siitä, miten ja kuinka usein rollaattoria käytetään). Tarkista seuraavat osat: runko, ruuvit, kahvat, kahvapatket, jarrut, jarrupalat, renkaat ja lisävarusteet. Tarkista osat myös, jos rollaattoria valmistellaan uudelleenkäyttöön. Tutustu tämän käyttöoppaan yksityiskohtaisiin ohjeisiin koskien jarrujen huoltoa ja rollaattorin puhdistamista/desinfiointia. Huoltoa koskevat ohjeet ovat suosituksia, eivät vaatimuksia. Jos rollaattoria käytetään tämän käyttöoppaan ohjeiden mukaisesti, ennalta ehkäisevää huoltoa ei edellytetä.

Materiaali / Kierrättäminen

Rollaattorin valmistuksessa on käytetty anodisoituja alumiiniprofiileja sekä PA6:ta, 30GF:ää, PP:tä, TPE:tä ja polyestereitä. Useimmat osat ovat kierrätettäviä. Hävitä rollaattori ja sen pakkaus paikallisten jätemääräysten mukaisesti. Lisätietoa saat alueesi jätteenkäsittelystä vastaavalta viranomaiselta.

Takuu

TOPRO Hestialla on 7 vuoden takuu vikojen ja puutteiden varalta. Takuu ei kata virheellisestä käytöstä aiheutuneita vahinkoja eikä luonnolliselle kulumiselle altistuvia osia (esim. jarrupalat, jarrukaapeli, pyörät, kahvat, tavarakori ja tarjotin). Takuuajan korjaukset: ota yhteyttä rollaattorin ostopaikkaan tai jälleenmyyjään. Muiden kuin hyväksytyjen varaosien tai lisävarusteiden käyttäminen tuotteessa johtaa takuun raukeamiseen. Tämän tuotteen käyttöäksi on arvioitu 10 vuotta edellyttäen, että tuotetta käytetään tämän käyttöoppaan ja tuotetta koskevien turvallisuus- ja huolto-ohjeiden mukaisesti.

9 Tuotetilpi

- 1 - Valmistaja
- 2 - Tutustu käyttöohjeisiin
- 3 - Mallin nimi
- 4 - Mallinumero
- 5 - Valmistuspäivämäärä
- 6 - Sarjanumero
- 7 - GTIN-numero
- 8 - GS1 DataMatrix
- 9 - Käyttäjän enimmäispaino
- 10 - Rollaattorin enimmäispituus
- 11 - Rollaattorin enimmäisleveys/-korkeus
- 12 - Tarkoitettu sisäkäyttöön
- 13 - Lääkinnällinen laite
- 14 - CE-merkintä

Lisävarusteet

	TOPRO-tuotenro
Kävelykepin pidike	815358
Liukumaton matto tarjottimelle	815384
Pullonpidike	815843
Nimilappu	814024

Rollaattoriin asennettavat lisävarusteet voivat vaikuttaa rollaattorin tasapainoon. Noudata siis varovaisuutta. Lisävarusteet tilattavissa erikseen. TOPRO HESTIA -rollaattori on räätälöitynä yksilöllisten tarpeiden mukaan. Päivitetty listaus lisävarusteista on saatavilla alan liikkeistä, jälleenmyyjiltä ja Toprolta sekä verkkosivuillamme osoitteessa topromobility.com.

Félicitations pour votre choix d'un nouveau déambulateur TOPRO

Chaque produit TOPRO est développé, conçu et fabriqué en Norvège. Le produit est conforme au règlement (UE) 2017/745 sur les dispositifs médicaux. Il est testé et approuvé selon la norme EN ISO 11199-2:2005. À la réception de la marchandise, veuillez vérifier votre produit. Si vous avez des questions, veuillez contacter immédiatement votre magasin de mobilité ou votre revendeur. Si vous rencontrez des difficultés pour lire ce manuel d'utilisation, une version électronique est disponible sur topromobility.com.

Utilisation prévue

Le TOPRO HESTIA doit apporter un soutien aux utilisateurs ayant un équilibre réduit et/ou une capacité de marche réduite. Le produit est conçu pour une utilisation en intérieur. Il est conçu pour être poussé, pas tiré. Les supports pour se lever sont destinés à fournir à l'utilisateur un soutien supplémentaire lorsqu'il se lève / s'assoit. Le plateau offre à l'utilisateur la possibilité de déplacer des articles pesant jusqu'à 5 kg. Le bac est conçu pour transporter des articles pesant jusqu'à un total de 5 kg. L'utilisateur visé est un adulte. Des restrictions de taille et de poids s'appliquent.

Contre-indications : Le produit ne convient pas aux personnes ayant une faible force dans les bras, avec un très mauvais équilibre ou avec des troubles cognitifs considérables.

Pour apprendre à connaître le déambulateur et apprendre à l'utiliser correctement, une formation par un professionnel est recommandée.

0 Les cercles numérotés gris de ce manuel d'utilisation font référence au graphique d'information numéroté et aux illustrations à l'intérieur de la couverture.

1 Apprenez à connaître votre produit TOPRO

- | | |
|---------------------------------------|--|
| A Poignées | G Supports pour se lever |
| B Poignées de frein | H Molettes de réglage de la hauteur |
| C Tube de poignée | I Bac |
| D Câble de frein | J Base de plateau |
| E Plateau coulissant | K Fonction de basculement |
| F Leviers pour plier / déplier | L Étiquette du produit |

2 Sécurité

Lorsque vous pliez / dépliez le déambulateur, soyez attentif afin de ne pas vous blesser aux doigts.

Attention à ne pas mettre vos doigts dans des trous ouverts ou entre des pièces fixes.

Assurez-vous que les molettes de réglage de hauteur soient correctement serrées.

Assurez-vous que le plateau soit placé correctement dans sa base avant de marcher. Le plateau n'est pas un siège.

Lorsque vous êtes à l'arrêt, en stationnement et lorsque vous utilisez les supports pour se lever, utilisez toujours le frein de stationnement (A).

N'utilisez pas le déambulateur dans les escaliers. Soyez prudent lorsque vous descendez des seuils, etc.

Vérifiez les freins avant utilisation à chaque fois et que le déambulateur se verrouille en position dépliée.

N'utilisez pas le déambulateur pour transporter des charges ou des personnes lourdes.

Sachez que certaines parties du déambulateur peuvent être chaudes ou froides lorsqu'elles sont exposées à des températures extrêmes.

Ne modifiez pas le produit car cela pourrait mettre votre sécurité en danger et la garantie deviendra nulle.

La stabilité habituelle du produit sera plus faible lors de la marche sur une surface inclinée.

N'essayez pas de vous asseoir sur le déambulateur (C).

Pour réduire le risque de chute, n'inclinez pas trop le déambulateur sur le côté (D). Pour la même raison, les sacs, etc. ne doivent jamais être accrochés aux poignées.

Pour donner un bon soutien et par sécurité, marchez droit et assurez-vous que le déambulateur soit maintenu aussi près que possible de votre corps (E). Marchez entre les roues arrière (F), pas derrière elles (G).

Sachez que le déambulateur peut rouler plus vite que vous lorsque vous marchez en descente, ce qui peut vous exposer à un risque de chute. Activez le frein de marche pour réduire la vitesse (B).

Soyez prudent lorsque vous portez des jupes et des pantalons larges, car ils pourraient se prendre dans les roues, ce qui pourrait entraîner une chute. Portez des chaussures robustes pour éviter les blessures.

N'utilisez pas le déambulateur sur des surfaces glissantes.

Gardez le déambulateur à l'écart du feu et des objets chauds.

Ne montez pas sur le déambulateur.

3 Dépliage / Pliage

Déplier pour la première fois : Le produit est livré en position de transport. Afin de déplier le produit, placez une main sur la barre transversale entre les poignées (B) et l'autre main sur la barre transversale à l'avant de la base du plateau (A). Écartez les barres transversales pour amorcer le dépliage. Un click indique la position dépliée normale.

Déplier : Placez le produit sur ses roues, sur un sol plat, et placez-vous du côté marche du produit. Tirez sur les deux leviers (C) positionnés dans les ouvertures latérales de la base du plateau. Appuyez sur la base du plateau vers le bas tout en pressant les leviers. Le déambulateur se déplie et se verrouille lorsque les leviers sont relâchés. Pour positionner le plateau, voir le paragraphe dédié *Plateau / Bac*.

Plier : Retirez le plateau. Placez-vous, assis sur une chaise si nécessaire, sur le côté marche du produit. Tout en retenant la poignée avec le haut du corps (D), saisissez les deux leviers (E) et tirez la base du plateau vers vous. Relâchez les leviers et repoussez doucement la base du plateau vers le bas pour vérifier que les leviers sont engagés et que le produit ne peut pas se déplier. Appliquez le frein de stationnement pour vous assurer que le produit ne roule pas.

Transport du déambulateur : Le déambulateur ne doit pas être transporté par les câbles de frein. Pliez le déambulateur comme décrit dans la section *Dépliage / Pliage*. Portez le déambulateur par l'une des barres transversales (F) ou les côtés du cadre (G).

4 Poignées / Fonction mémoire

Réglage de la hauteur : Desserrez les deux molettes (H) (env. 2 tours). Ajustez les poignées (D) à une hauteur appropriée, puis tirez-les légèrement vers le haut et vers le bas jusqu'à ce que vous entendiez un click. Ajustez les deux poignées à la même hauteur en comparant l'échelle numérique de chaque côté. Serrez à nouveau les molettes (H). *Il est recommandé que les poignées soient réglées à la même hauteur que vos poignets lorsque vos bras sont suspendus à côté de votre corps.*

Fonction mémoire : Décidez de la hauteur des poignées (voir échelle numérique). Comptez les trous visibles à l'arrière des tubes de poignée (F). Retirez le plateau. Sortez les supports pour se lever (A) et déplacez les câbles de frein vers l'intérieur (B). Tenez les câbles de frein contre le bac (B) tout en rentrant

les supports pour se lever (C). Dévissez les molettes de réglage de la hauteur (H). Retirez les tubes de poignées (F) du cadre. Les pièces de fixation (E) suivront désormais les tubes de poignée. Déplacez les pièces de fixation (E) de sorte que le nombre de trous au-dessus d'elles soit égal aux trous précédemment comptés. Placez les memory clips rouges (G) sur les tubes de poignée dans le premier trou disponible sous les pièces de fixation (E). Poussez les tubes de poignée et les pièces de fixation (I) vers le bas et dans les cadres latéraux (J). Vissez les molettes de réglage de la hauteur (H) à mi-chemin. Tirez les poignées (D) vers le haut jusqu'à ce qu'elles s'arrêtent, puis serrez correctement les molettes (H). Désormais, lorsque les poignées sont dans la position la plus basse, elles s'arrêteront en position prédéfinie lorsqu'elles seront tirées vers le haut. Repositionnez les câbles de frein à l'extérieur des supports pour se lever en sortant / rentrant à nouveau les supports pour se lever.

5 Freins

Assurez-vous que les freins fonctionnent avant chaque marche. Le levier de frein fonctionne sur les deux roues arrière. Ne conduisez pas et ne poussez pas le déambulateur pendant que les freins de stationnement sont en service.

Freins de stationnement : Poussez la poignée de frein (A) vers le bas jusqu'à ce que les freins se bloquent. Les deux roues arrière sont maintenant verrouillées. Pressez la poignée de frein vers le haut pour desserrer les freins de stationnement.

Freins de marche : Tirez la poignée de frein (B) vers le haut pour appliquer les freins. Ne pas utiliser en continu pendant que le déambulateur est en mouvement.

Réglage / vérification : Le réglage des freins est plus facile en positionnant le déambulateur à l'envers. Desserrez l'écrou (C) du câble de frein. Serrez le câble de frein (D) avec la vis de réglage (E). Ajustez les deux blocs de frein uniformément de sorte que la distance à la surface de la roue soit d'environ 1,5 mm, puis serrez l'écrou (C). Assurez-vous que les freins ne sont pas trop serrés et n'appuient pas trop fort sur le caoutchouc des roues lorsque le frein de stationnement est activé. Les roues peuvent être remplacées si elles sont usées ou endommagées.

6 Supports pour se lever

Appliquez toujours le frein de stationnement (A) avant d'utiliser les supports pour se lever.

Utilisation : Sortez les supports pour se lever en tirant sur les languettes (B) située à côté des molettes de réglage de la hauteur. Lorsque le support est complètement sorti, il est verrouillé pour ne pas s'escamoter lorsqu'il est utilisé.

En cours d'utilisation : Lorsque le déambulateur est placé sur un sol plat, le support peut servir d'aide supplémentaire lorsqu'on se lève ou s'assoit.

Remise en place : Rentrez le support en le soulevant légèrement et en repoussant la languette, jusqu'à ce que le support se mette en place (C).

7 Plateau / Bac

Position de transport du plateau : Il est préférable de retirer le plateau en étant en position assise. Appliquez les freins et maintenez fermement le déambulateur. Poussez fermement le plateau en direction du sol (A). Pour placer le plateau en position de transport, il faut tenir le plateau avec la languette (G) pointant vers l'avant et vers le haut et aligner les côtés du plateau avec les nervures à l'intérieur du cadre (B). Tirez fermement vers le haut jusqu'à ce que le plateau se met en place des deux côtés.

Mise en place : Soulevez le plateau en position à l'aide de l'anse (C). La languette (G) sur le plateau doit faire face au côté marche du produit. Le plateau est mis en place en alignant les côtés du plateau avec le bord de la base du plateau (E), l'avant du plateau doit s'aligner avec la barre transversale avant (D) et les arches dans les coins.

Couissant : Lorsqu'il est placé sur la base du plateau, le plateau peut être glissé en direction de l'utilisateur (F) à l'aide de la languette (G). Le plateau peut être lavé en machine jusqu'à 75 °C.

Retrait : Poussez complètement le plateau vers l'avant (H). Soulevez le plateau à l'aide de l'anse(I).

Bac : Le bac peut être retiré et lavé en machine en programme doux jusqu'à 60 °C. Le bac est plus facile à retirer lorsque le produit est plié.

8 Lèvre de levage / Fonction de basculement

Lèvre de levage : La poignée a une géométrie (A) qui facilite le levage du déambulateur à travers les obstacles. Placez vos doigts autour de la lèvre et soulevez verticalement.

Fonction de basculement : Placez l'avant du pied sur la pédale (B) et tirez les poignées vers vous. Cela permet de franchir les seuils, les bords, etc. Remarque : Faites attention lorsque vous descendez les seuils, etc. N'utilisez pas le déambulateur dans les escaliers.

Transport

Le déambulateur doit être transporté en position pliée et verrouillée (voir paragraphe 3 – Dépliage / Pliage). Soyez prudent lorsque vous chargez le déambulateur dans un véhicule, en faisant attention à l'arrimer.

Stockage

Le déambulateur doit être rangé en position verticale. S'il est stocké à l'extérieur, il doit être mis sous une protection. Ne laissez pas votre déambulateur sans surveillance. Ne mettez pas d'objets lourds sur le déambulateur pendant le stockage.

Nettoyage

Le déambulateur peut être rincé à l'eau et lavé avec des détergents ménagers normaux. N'utilisez pas d'abrasifs. Évitez de projeter de l'eau directement sur les roulements (roues, fourches avant).

Désinfection

La désinfection ne doit être effectuée que par du personnel autorisé et en portant un équipement de protection suffisant. La surface du déambulateur

doit être nettoyée avec un désinfectant contenant 70 à 80% d'éthanol. Nous déconseillons les désinfectants contenant du chlore et du phénol. *Le fabricant ne peut être tenu responsable des dommages ou blessures qui pourraient survenir à l'aide d'un désinfectant nocif ou d'une désinfection effectuée par du personnel non autorisé.*

Inspection / Entretien / Réutilisation

Il est recommandé d'effectuer régulièrement l'inspection et l'entretien (la fréquence est déterminée par la façon dont le déambulateur est utilisé et à quelle fréquence). Vérifiez les éléments suivants : cadre, vis, poignées, tubes de poignée, freins, pièces de frein, roues et accessoires. Cela s'applique également lorsque le déambulateur doit être préparé pour être réutilisé. Veuillez consulter les instructions détaillées dans ce manuel d'utilisation sur l'entretien des freins et le nettoyage/désinfection. L'entretien recommandé n'est pas une exigence et aucun entretien préventif n'est requis à condition que le déambulateur soit utilisé comme prévu conformément au présent manuel d'utilisation.

Matériaux / Recyclage

Le déambulateur est composé de profilés en aluminium anodisé, de pièces en PA6+30GF, PP, TPE et Polyester. La plupart des pièces peuvent être recyclées. Jetez le déambulateur et son emballage conformément à la réglementation applicable dans votre pays. Pour plus d'informations, veuillez contacter vos autorités publiques.

Garantie

TOPRO Hestia est garanti exempt de vices et de défauts pendant 7 ans. Les dommages

causés par une mauvaise utilisation ou des pièces exposées à l'usure naturelle (par exemple, bloc de frein, câble de frein, roue, poignées, bac et plateau) sont exemptés de la garantie de 7 ans. Pour les réparations pendant la période de garantie, veuillez contacter votre magasin de mobilité local ou votre revendeur. La garantie est nulle si des pièces de rechange et des accessoires non autorisés ont été ou sont utilisés sur le produit. La durée de vie prévue du produit est estimée à 10 ans s'il est utilisé correctement conformément à ce manuel d'utilisation et à ses instructions de sécurité et d'entretien.

9 Étiquette du produit

- 1 - Fabricant
- 2 - Consultez le mode d'emploi
- 3 - Nom du modèle
- 4 - Numéro de modèle
- 5 - Date de fabrication
- 6 - Numéro de série
- 7 - Numéro d'article du commerce mondial
- 8 - GS1 DataMatrix
- 9 - Poids maximal de l'utilisateur
- 10 - Longueur maximale du déambulateur
- 11 - Largeur maximale / hauteur du déambulateur
- 12 - Destiné à un usage intérieur
- 13 - Dispositif médical
- 14 - Étiquetage CE

Accessoires

	TOPRO Art. No.
Porte-canne	815358
Tapis antidérapant pour tablette	815384
Porte-boisson	815843
Plaque d'identification	814024

Les accessoires montés sur le déambulateur peuvent influencer la stabilité, nous vous conseillons donc de les utiliser avec précaution. Les accessoires peuvent être commandés séparément pour permettre de personnaliser un TOPRO HESTIA en fonction des besoins individuels. Contactez votre magasin de mobilité, votre revendeur ou TOPRO pour un aperçu actualisé des accessoires disponibles ou visitez notre page d'accueil topromobility.com.

TOPRO products are developed, designed and manufactured in Norway by:

TOPRO Industri AS

Rambekkveien 5, NO-2816 Gjøvik, Norway
(+47) 61 13 46 00
info@topromobility.com
www.topromobility.com



Subsidiaries

TOPRO GmbH

Bahnhofstraße 26 d
82256 Fürstfeldbruck
GERMANY
Tel: +49 (0) 8141 8889 39-0
Fax: +49 (0) 8141 8889 39-22
cs@topro.de
www.topromobility.com

TOPRO GmbH

Zweigniederlassung Stetten
Im Stetterfeld 2
5608 Stetten
SWITZERLAND
Tel: +41 (0) 44 940 36 50
Fax: +41 (0) 44 940 36 51
mail@topro.ch
www.topromobility.com

TOPRO Mobility B.V.

C'park Bata
Europaplein 1
Gebouw 21 – unit 2.17
5684 ZC Best
THE NETHERLANDS
Tel: +31 (0) 6 27 288 801
cs@topromobility.nl
www.topromobility.com

TOPRO Limited

Trent Business centre
Thoroton Rd
West Bridgford
Nottingham
NG2 5FT
UNITED KINGDOM
Tel: +44 (0) 115 846 5406
Tel: +44 (0) 844 739 16 17
Fax: +44 (0) 844 739 16 15
info@topro.co.uk
www.topromobility.com

TOPRO Mobility AB

Buskuddsvägen 9
185 95 Vaxholm
SWEDEN
Tel: +46 (0) 8 311 330
info@topromobility.se
www.topromobility.com

Learn more



topromobility.com

Distributor / dealer