



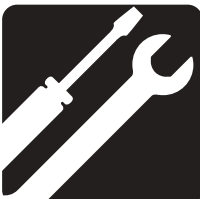
ASSEMBLY



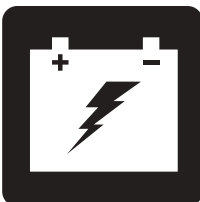
OPERATION



COMFORT



MAINTENANCE



BATTERY  
CHARGING




# FULL-SIZE SCOOTER SERIES

OWNER'S MANUAL

---

# SCOOTER FEATURES TABLE

Model	Console Style		Frame Style (Assembly/Disassembly)		Anti-tip wheels	Options*			Main Circuit Breaker (Type)		
	A	B	1-piece frame	2-piece frame		Included	Hi-Low Switch	Handbrake	Suspension Seat Post	Reset Button	Reset Lever
											
613	•	•		•	•	•	•	•	•		
614	•	•	•		•	•				•	•
713	•	•		•	•	•	•	•	•		
714	•	•	•			•	•			•	•

**\*NOTE:** Scooter options vary by country. Please contact your Provider to determine which options are available for your Scooter.

**NOTE:** Please become familiar with your scooter's model number. The number can be found on the product specification sheet in your owner's package. Throughout this owner's manual, Scooter attributes are identified by model number (far left-hand column on Scooter Features Table). Knowing your unit's model number will aid you in determining your particular scooter's unique characteristics.

## INTENDED USE

The intended use of the mobility device is to provide mobility to persons limited to a seated position that have the capability of operating a scooter.

## REGARDING DEVICES FOR PRESCRIPTION USE



**CAUTION!** Federal law restricts this device to sale by or on the order of a physician or other certified personnel licensed by the law of the State (US only) or region in which this personnel practices to use or order the use of this device.

**NOTE:** This owner's manual is compiled from the latest specifications and product information available at the time of publication. We reserve the right to make changes as they become necessary. Any changes to our products may cause slight variations between the illustrations and explanations in this manual and the product you have purchased. The latest/current version of this manual is available on our website.

**NOTE:** This product is compliant with WEEE, RoHS, and REACH directives and requirements.

**NOTE:** This product complies with IPX4 Classification (IEC 60529).

**NOTE:** The scooter and its components are not made with natural rubber latex. Consult with the manufacturer regarding any after-market accessories.



# CONTENTS

<b>SAFETY GUIDELINES</b> .....	3
<b>I. SAFETY</b> .....	4
<b>II. YOUR SCOOTER</b> .....	7
<b>III. BATTERIES AND CHARGING</b> .....	19
<b>IV. OPERATION</b> .....	26
<b>V. COMFORT ADJUSTMENTS</b> .....	28
<b>VI. DISASSEMBLY AND ASSEMBLY</b> .....	32
<b>VII. BASIC TROUBLESHOOTING</b> .....	34
<b>VIII. CARE AND MAINTENANCE</b> .....	36

## SAFETY GUIDELINES



**WARNING!** An authorized Provider or qualified technician must perform the initial setup of this scooter and must perform all of the procedures in this manual.

The symbols below are used throughout this owner's manual and on the scooter to identify warnings and important information. It is very important for you to read them and understand them completely.



**WARNING!** Indicates a potentially hazardous condition/situation. Failure to follow designated procedures can cause either personal injury, component damage, or malfunction. On the product, this icon is represented as a black symbol on a yellow triangle with a black border.



**MANDATORY!** These actions should be performed as specified. Failure to perform mandatory actions can cause personal injury and/or equipment damage. On the product, this icon is represented as a white symbol on a blue dot with a white border.



**PROHIBITED!** These actions are prohibited. These actions should not be performed at any time or in any circumstances. Performing a prohibited action can cause personal injury and/or equipment damage. On the product, this icon is represented as a black symbol with a red circle and red slash.

# I. SAFETY

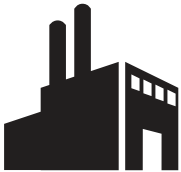
## PRODUCT SAFETY SYMBOLS

The symbols below are used on the scooter to identify warnings, mandatory actions, and prohibited actions. It is very important for you to read and understand them completely.

*NOTE: There are more warnings identified and explained in the Consumer Safety Guide that is included with your scooter. Please become familiar with all the warnings and safety information found in the Consumer Safety Guide and refer to this resource often.*



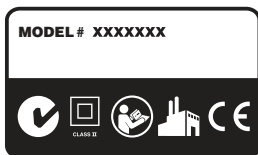
**Read and follow the information in the owner's manual.**



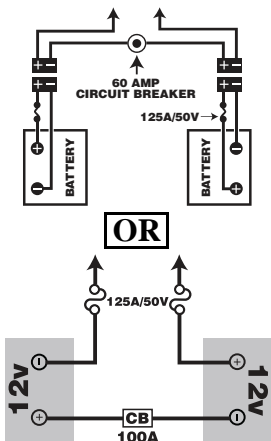
**Manufactured in.**



**Indicates tie-down points on the scooter.**



**Scooter information label.**



### **Battery Set Configuration:**

**+ = Positive (Red) Terminal Post**

**- = Negative (Black) Terminal Post**

**Connect Red wires to Red Positive (+) Terminal Posts.**

**Connect Black wire to Black Negative (-) Terminal Posts.**

# I. SAFETY

## GENERAL



**MANDATORY! Do not operate your new scooter for the first time without completely reading and understanding this owner's manual and the Consumer Safety Guide.**

Your scooter is a state-of-the-art life-enhancement device designed to increase mobility. We provide an extensive variety of products to best fit the individual needs of the scooter user. Please be aware that the final selection and purchasing decision regarding the type of scooter to be used is the responsibility of the scooter user, who is capable of making such a decision and his/her healthcare professional (i.e., medical doctor, physical therapist, etc.).

The contents of this manual are based on the expectation that a mobility device expert has properly fitted the scooter to the user and has assisted the prescribing healthcare professional and/or the authorized Provider in the instruction process for the use of the product.

There are certain situations, including some medical conditions, where the scooter user will need to practice operating the scooter in the presence of a trained attendant. A trained attendant can be defined as a family member or care professional specially trained in assisting a scooter user in various daily living activities.

As you begin using your scooter during daily activities, you will probably encounter situations in which you will need some practice. Simply take your time and you will soon be in full and confident control as you maneuver through doorways, on and off elevators, up and down ramps and over moderate terrain.

Additional general information can be found on the supplemental information sheets and booklets included in your Owner's Package. Please fully read and review the information, and keep it readily available for future reference.

Below are some precautions, tips and other safety considerations that will help you become accustomed to operating the scooter safely.

### PRE-RIDE SAFETY CHECK

Get to know the feel of your scooter and its capabilities. We recommend that you perform a safety check before each use to make sure your scooter operates smoothly and safely.

#### Perform the following inspections prior to using your scooter:

- Check the condition of the tires. Make sure they are not damaged or excessively worn.
- Check all electrical connections. Make sure they are tight and not corroded.
- Check all harness connections. Make sure they are secured properly.
- Check the brakes to ensure they operate properly.
- Check the battery condition meter to ensure the batteries are fully charged.
- Ensure the manual freewheel lever is in drive mode before sitting on the scooter.

If you discover a problem, contact your authorized Provider for assistance. Please refer to the Contact Information insert in your Owner's Package.

# I. SAFETY

## BRAKING INFORMATION

Your scooter is equipped with these powerful brake systems:

- Regenerative: Uses electricity to rapidly slow the vehicle when the throttle control lever returns to the center/stop position.
- Disc Park Brake: Activates mechanically after regenerative braking slows the vehicle to near stop or when power is removed from the system for any reason.
- (Optional) Handbrake: This lever provides you with emergency stopping power. See II. “Your Scooter.”

## HANDBRAKE LEVER (OPTIONAL — MODELS 613, 713, AND 714)

The handbrake lever contains hydraulic fluid. When the lever is depressed, the fluid is pushed through the brake line to engage the brake pads against the brake discs. The handbrake lever is a completely sealed unit, meaning that the hydraulic fluid should not leak; however, there are certain safety measures that should be taken if the handbrake lever becomes cracked or damaged.

- Do not touch spilled material unless wearing protective equipment, such as safety goggles and gloves.
- For small spills, cover the material with dry earth, sand or other non-combustible absorbent material. Once absorbed, enclose the material in a plastic bag and contact your local waste disposal agency for proper disposal measures. Do not expose the material to waterways or sewers.
- If the eyes are exposed, check for and remove contact lenses. Flush eyes with cool, clean, low-pressure water while occasionally lifting and lowering the eyelids. Seek medical attention if excessive tearing, redness or pain persists.
- If the skin is exposed, remove all contaminated clothing. Wipe off excess material and wash exposed skin with soap and water. Seek medical attention if skin appears damaged or if irritation persists. Thoroughly clean contaminated clothing before reuse. Discard contaminated leather goods.
- If ingested, do not induce vomiting or give anything to drink unless directed to by a physician. Never give anything by mouth to a person who is not fully conscious. Seek medical attention immediately.
- If inhaled, move the affected individual to fresh air. If the affected individual is not breathing, immediately begin rescue breathing. If breathing is difficult, 100% humidified oxygen should be administered by a qualified individual. Seek medical attention immediately and keep the affected individual warm and at rest.
- If ignited, use dry chemical, foam, carbon dioxide or water fog to extinguish.

**WARNING! Do not modify the handbrake lever or attempt to replace the hydraulic fluid. If damage occurs, follow the safety information in this section and contact your authorized dealer for handbrake replacement. The hydraulic handbrake should only be serviced or replaced by your authorized dealer.**



**WARNING! The handbrake contains hydraulic fluid that can cause mild skin, eye and nasal/bronchial irritation. Do not attempt to adjust or service the handbrake without proper protective equipment such as safety goggles and gloves and wash hands after handling.**

## II. YOUR SCOOTER

### TILLER CONSOLE

The tiller console houses all of the controls needed to drive your scooter, including the speed adjustment dial, key switch, battery condition meter, status LED, horn buttons, turn signal buttons, handbrake lever, tiller adjustment lever, and the throttle control lever. Please note that some of the features listed in this section are optional items and may not appear on your scooter. See **figure 1**.

**NOTE:** *If your scooter is equipped with an LCD Control Panel, please advance to the page in this section that begins **TILLER CONSOLE: LCD CONTROL PANEL**.*



**PROHIBITED!** Do not expose the tiller console to moisture. In the event that the tiller console does become exposed to moisture, do not attempt to operate your scooter until the tiller console has dried thoroughly.

### IDENTIFICATION KEY

- |                              |                             |
|------------------------------|-----------------------------|
| 1. HORN BUTTON               | 8. SPEED ADJUSTMENT DIAL    |
| 2. *LEFT TURN SIGNAL BUTTON  | 9. BATTERY CONDITION METER  |
| 3. *HAZARD LIGHTS SWITCH     | 10. KEY SWITCH              |
| 4. LIGHT SWITCH              | 11. MIRROR AND MIRROR PLUGS |
| 5. *RIGHT TURN SIGNAL BUTTON | 12. TILLER ADJUSTMENT LEVER |
| 6. *HI-LOW SWITCH            | 13. *HANDBRAKE LEVER        |
| 7. THROTTLE CONTROL LEVER    | 14. BRAKE LOCK              |

\*OPTIONAL COMPONENTS AVAILABLE ON SOME MODELS

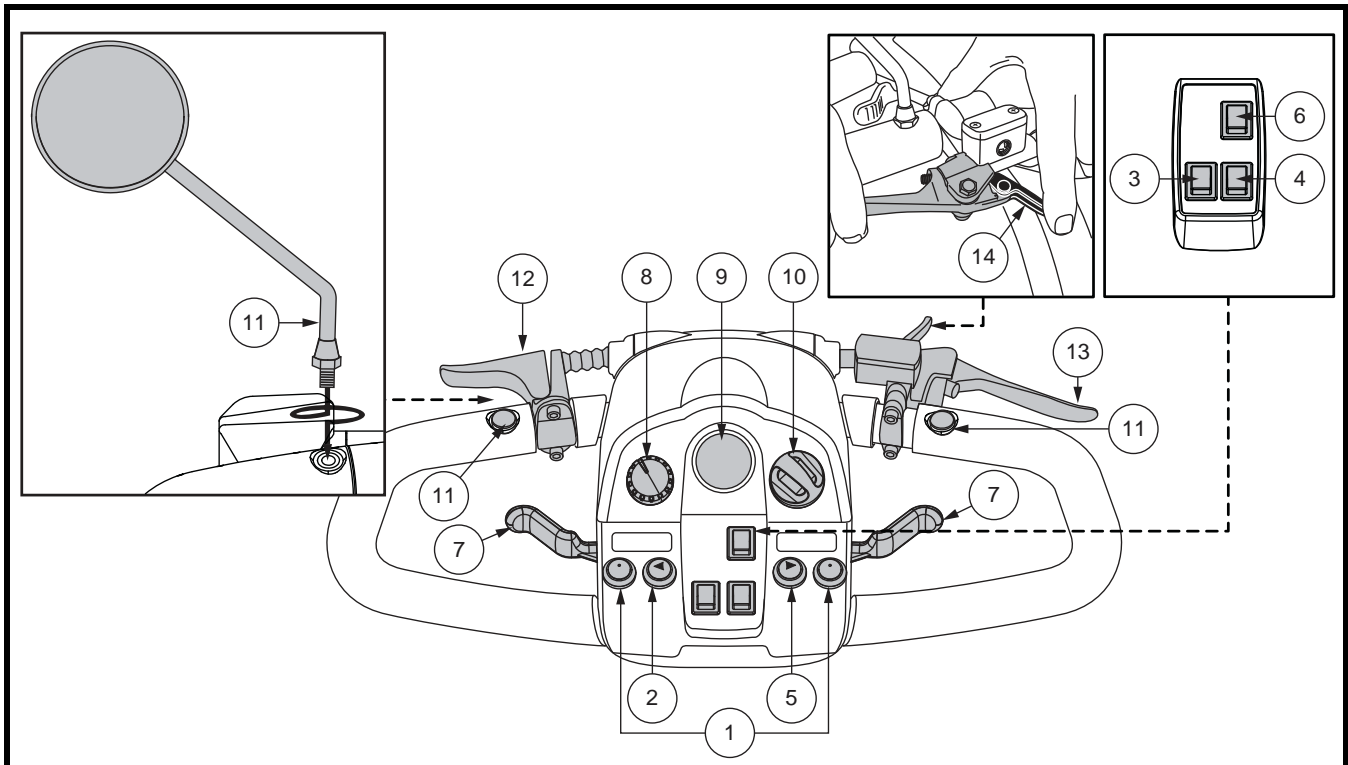


Figure 1. Tiller Console Components - Style A

## II. YOUR SCOOTER

### Horn Buttons

These buttons activate a warning horn. Your scooter must be powered up for the horn to be operational. Do not hesitate to use the warning horn when doing so may prevent accident or injury.

### Turn Signal Buttons

Use these buttons to turn on the left and right turn signal (amber) lights.

- Push the left button to activate the left turn signal light. The turn signal LED located in the battery condition meter will flash.
- Push the right button to activate the right turn signal light. The turn signal LED located in the battery condition meter will flash.
- The turn signals are timed to shut off automatically.

### Lights Switch

This switch controls your scooter's lighting system.

- Toggle the switch forward to turn on the lighting system.
- Toggle the switch rearward to turn off the lighting system.



**WARNING! Scooter users are required to use their lights when visibility is restricted—day or night.**

### Hazard Lights Switch

This switch activates the 4-way flashers on your scooter.

- Toggle the hazard lights switch forward to turn on the flashers.
- Toggle the hazard lights switch rearward to turn off the flashers.

### Hi-Low Switch

This switch toggles the scooter's speed between Hi and Low. Toggle the switch forward (Hi) to achieve the maximum preprogrammed speed for the scooter. Toggle the switch rearward (Low) to achieve half the maximum preprogrammed speed of the scooter.

### Throttle Control Lever

This lever allows you to control the forward speed and the reverse speed of your scooter up to the maximum speed you preset with the speed adjustment dial.

#### To Move Forward, use either of the following:

- Use your left thumb to push the left side of the throttle control lever.
- Use your right hand fingers to pull back on the right side of the throttle control lever.

#### To Move Rearward, use either of the following:

- Use your right thumb to push the right side of the throttle control lever.
- Use your left hand fingers to pull back on the left side of the throttle control lever.

Release the throttle control lever and allow your scooter to come to a complete stop before engaging the other side of the lever. When the throttle control lever is completely released, it automatically returns to the center “stop” position and engages your scooter's brakes.

### Speed Adjustment Dial

This dial allows you to preselect and limit your scooter's top speed.

- The image of the **tortoise** represents the slowest speed setting.
- The image of the **hare** represents the fastest speed setting.



## II. YOUR SCOOTER

### Battery Condition Meter

When the key is fully inserted and turned clockwise to power up your scooter, this meter indicates the approximate battery voltage strength. For further information on battery charging, see III. “Batteries and Charging.”

### Status LED

The status LED alerts you to electrical problems that may occur with the scooter. The LED remains constantly lit while your scooter is on. If your scooter develops an electrical problem, the status LED will flash a code. See VII. “Basic Troubleshooting” for flash codes.

### Key Switch

- Insert the key into the key switch and turn it clockwise to power up (turn on) your scooter.
- Turn the key counterclockwise to power down (turn off) your scooter.



**WARNING! If the key is turned to the “off” position while your scooter is in motion, the electronic brakes will engage and your scooter will come to an abrupt stop!**

### Mirror Positioning and Adjustment

For information on positioning and adjusting your mirror, see V. “Comfort Adjustments.”

### Tiller Angle Adjustment

For information on positioning and adjusting your tiller, see V. “Comfort Adjustments.”

### Handbrake Lever

This lever provides you with emergency stopping power. When in motion, release the throttle control lever and gently squeeze the handbrake lever to come to a stop.

The handbrake can be locked and used as a parking brake by squeezing the handbrake lever fully and moving the brake lock to the locked position. **See figure 1.** To release the brake lock, fully squeeze the handbrake.



**WARNING! The handbrake is intended for use as an emergency brake and/or parking brake only.**

### Off-board Charger Port

The off-board charger power cord plugs into this port during battery charging. The off-board charger port will be located on the tiller. **See figure 2.**

### Electrical System Fuses

Your scooter is equipped with a series of electrical system fuses, which help protect the off-board charging system, key switch, and lighting system from receiving an overload of electrical current. These fuses are the same type used in automobiles and are located in a compartment on the tiller. **See figure 2.**

**NOTE: Keep all electrical areas clean and free of moisture and foreign material.**

#### IDENTIFICATION KEY

1. CHARGER POWER CORD RECEPTACLE
2. OFF-BOARD CHARGER FUSE
3. KEY SWITCH FUSE
4. LOWER HEADLIGHT FUSE
5. REAR TAIL LIGHTS FUSE
6. LEFT TURN SIGNAL FUSE
7. RIGHT TURN SIGNAL FUSE

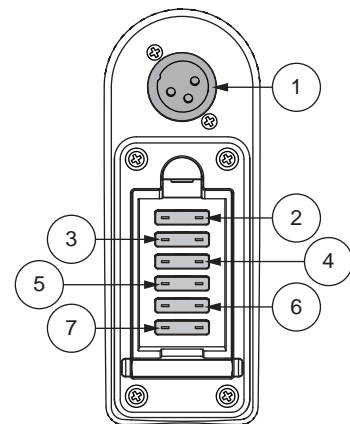


Figure 2. Off-board Charger Port/Tiller Console Fuses

# II. YOUR SCOOTER

## TILLER CONSOLE: LCD CONTROL PANEL

The tiller console and lower tiller house all of the controls needed to drive your scooter, including the LCD control panel, throttle control levers, key switch, and the throttle control lever switch. See figure 3.



**PROHIBITED! Do not expose the tiller console to moisture. In the event that the tiller console does become exposed to moisture, do not attempt to operate your scooter until the tiller console has dried thoroughly.**

### Horn Buttons

These buttons activate a warning horn. Your scooter must be powered up for the horn to be operational. Do not hesitate to use the warning horn when doing so may prevent accident or injury.

### Turn Signal Buttons

- Press the appropriate turn signal button once to activate it. The turn signal will flash on the LCD screen.
- Press the same signal button to turn it off.

*NOTE: The turn signals are timed to shut off after 15 seconds. A warning beep will sound as long as the turn signal is on. See figure 5 for volume control.*

### Lights Button

- Press the lights button once to activate the lighting system. The light symbol will be shown on the LCD screen.
- Press the lights button again to turn the lighting system off.



**WARNING! Scooter users are required to use their lights when visibility is restricted—day or night.**

### LCD Screen and Control Panel Settings

The LCD control panel offers easily intuited feedback information via the LCD screen. See figure 3. The LCD screen is also used during the set-up (activation) of the various control panel settings.

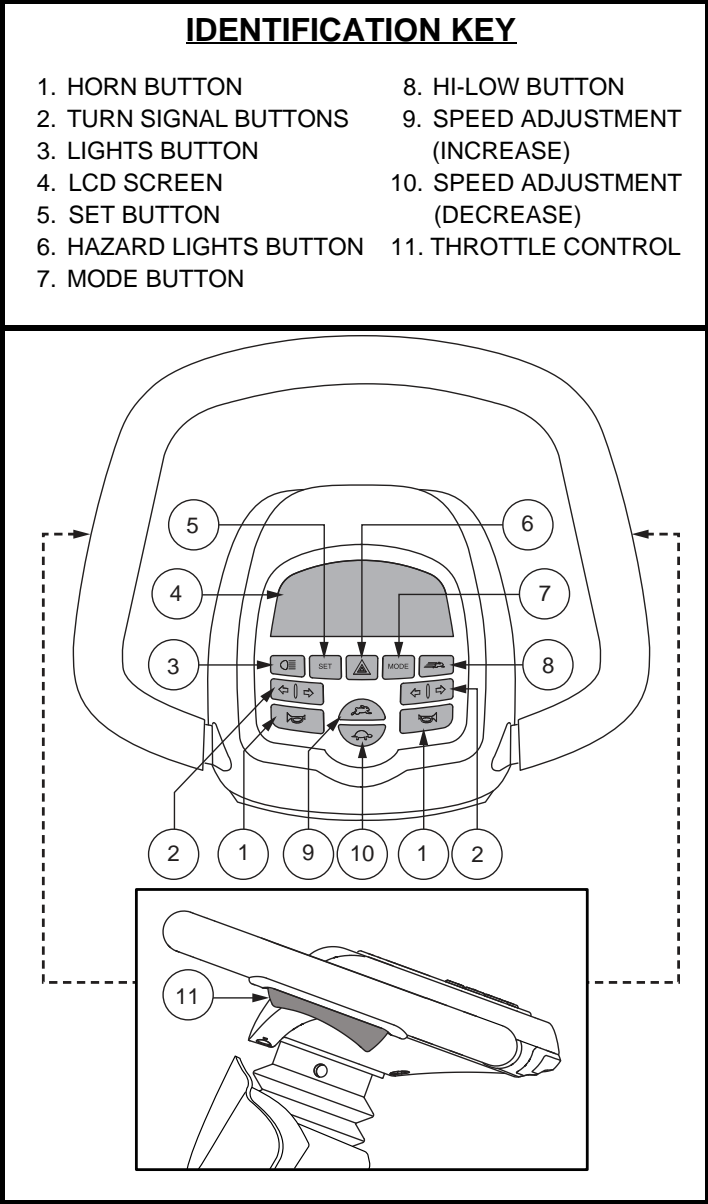


Figure 3. LCD Control Panel - Style B

## II. YOUR SCOOTER

### Hazard Lights Button

This button activates the 4-way yellow flashers on your scooter.

- Press the button once to turn on the flashers.
- Press the button again to turn off the flashers.

*NOTE: The 4-way flashers will flash and a warning beep will sound as long as the hazard lights are on. See figure 5 for volume control.*

### Mode Button

Use the mode button to scroll between the odometer, tripometer, temperature, and clock.

### High-Low Button

This button toggles the scooter's speed between HIGH and LOW.

- Press the **High-Low** button once to set the speed adjustment to high. The High-Low indicator will display on the LCD screen. **See figure 4.** Using this setting in conjunction with the speed adjustment buttons will allow the scooter to achieve speeds up to the maximum preprogrammed speed for the scooter.
- Press the **High-Low** button again to set the speed adjustment to Low. The High-Low indicator will not display on the LCD screen. Using this setting in conjunction with the speed adjustment buttons will allow the scooter to achieve speeds up to the half the maximum preprogrammed speed for the scooter.

### Speed Adjustment Buttons

These adjustment buttons enable you to pre-select and limit your scooter's speed. This is indicated by the maximum speed indicator on the LCD screen. **See figure 4.**

- Press the image of the **tortoise** to decrease the speed of the scooter.
- Press the image of the **hare** to increase the speed of the scooter.

*NOTE: The more bars shown on the maximum speed indicator, the faster your pre-selected maximum speed will be. See figure 4.*

### Throttle Control Levers

These levers allow you to control the forward speed and the reverse speed of your scooter up to the maximum speed you preset with the speed adjustment buttons. A throttle control lever is located on the underside of the left and right side of the tiller handle. **See Figure 3.**

#### To Move Forward:

- Squeeze the rear part of the throttle control lever.

#### To Move Rearward:

- Squeeze the front part of the throttle control lever.

Release the throttle control lever and allow your scooter to come to a complete stop before engaging the other side of the lever. When the throttle control lever is completely released, it automatically returns to the center “stop” position and engages your scooter's brakes.

## II. YOUR SCOOTER

### LCD SCREEN AND CONTROL PANEL SETTINGS

The LCD control panel offers easily intuited feedback information via the LCD screen. See figure 4. The LCD screen is also used during the set-up (activation) of the various control panel settings. See chart 1.

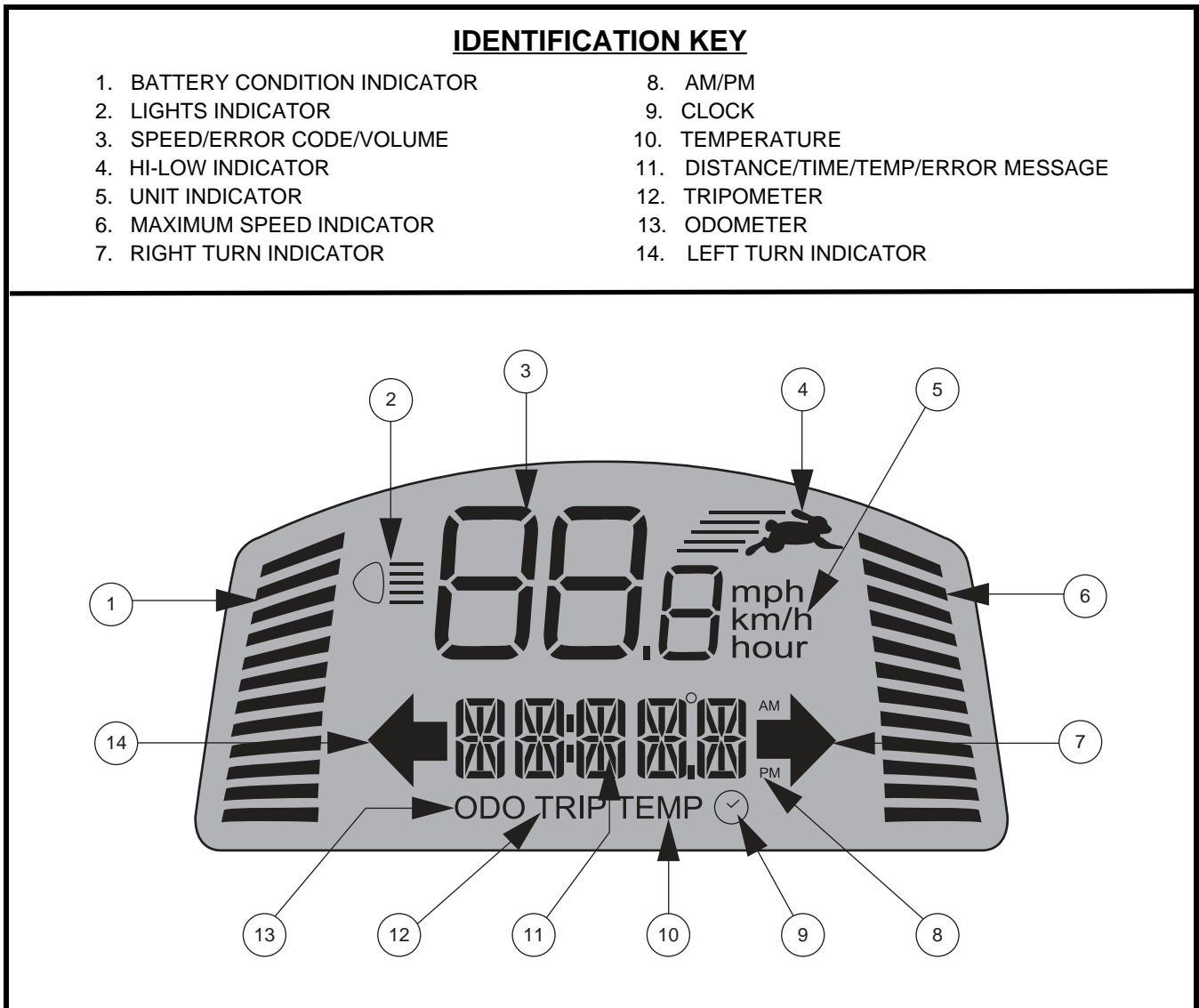




Figure 4. LCD Screen

## II. YOUR SCOOTER

SETTING INFORMATION CHART		
SETTING	CODE	INFORMATION
Odometer	<b>ODO</b>	Measures mph, km/h, and hours of use. Also displays total distance traveled over life of scooter. (Cannot be reset)
Tripometer	<b>TRIP</b>	Displays trip distance traveled. Can be reset to “0”
Temperature	<b>TEMP</b>	Displays current temperature in °F or °C
Clock		Displays time in 12-hour (AM/PM) or 24-hour

**Chart 1. LCD Control Panel Information**

Press **MODE** until the setting you want to change appears on the LED screen. Press and hold **SET** then follow the steps corresponding to your setting in **chart 2**.

	ODO	TRIP	TEMP	
<b>OPERATION</b>	Press the <b>MODE</b> button until <b>ODO</b> option appears.	Press the <b>MODE</b> button until <b>TRIP</b> option appears.	Press the <b>MODE</b> button until <b>TEMP</b> option appears.	Press and hold <b>MODE</b> button until the clock symbol appears on screen.
<b>SELECTION</b>	Press and hold <b>SET</b> , then simultaneously press the <b>MODE</b> button until the setting option flashes. Scroll through the options by pressing the <b>SET</b> button.	Press and hold <b>SET</b> , then simultaneously press the <b>MODE</b> button for 2 seconds and release. Press and hold <b>SET</b> until Tripometer resets to 0.0.	Press and hold <b>SET</b> , then simultaneously press the <b>MODE</b> button until the setting option flashes. Scroll through the options (°F or °C) by pressing <b>SET</b> button.	Press and hold <b>SET</b> , then simultaneously press the <b>MODE</b> button until the hour digit flashes. Use the <b>SET</b> button to increase the hour to the correct number. Continue to use the <b>MODE</b> and <b>SET</b> buttons to program the minutes and AM/PM setting.
<b>EXIT</b>	When desired option flashes, press any button except <b>SET</b> to exit.	Press any button except <b>SET</b> to exit.	When your choice is flashing, press any button except <b>SET</b> to exit.	Press any button except <b>MODE</b> or <b>SET</b> to exit.

**Chart 2. LCD Control Panel Information**

### Battery Charging Mode

During battery charging, the console will display the clock and the battery condition indicator.

### Battery Condition Indicator

When the key is turned to the “on” position, this LED indicator gives an approximate reading of battery strength. When the scooter’s battery voltage reaches a low enough level, a warning *beep* will sound once, indicating the batteries need charging. The warning beep will not sound again until the scooter is restarted or the throttle control lever is pressed.

## II. YOUR SCOOTER

### Maximum Speed Indicator LED

The maximum speed indicator displays the maximum speed selected with the speed adjustment buttons. The more bars that are lit, the faster the speed. The maximum scooter speed will be determined by the HIGH-LOW setting, which limits the maximum speed to half when set to LOW. The actual travel speed will be shown in the speed display on the LCD screen.

### Volume Control

The volume of the hazard lights, horn, low voltage, turn signals, and error message *beeps* can be increased, decreased, or turned off separately. See **figure 5**.

#### To set the volume:

1. Ensure the key is in the “off” position.
2. Press the appropriate two buttons simultaneously (see **chart 3**), and turn the key to the “on” position.
3. Once the volume control screen appears, release the buttons.
4. Press the hare button to increase the volume and the tortoise button to decrease the volume of the *beep* (0 indicates off and 4 indicates the loudest volume).
5. To exit, press any button except the **hare** or **tortoise**.

**NOTE:** The error message language option is set the same way as the volume.

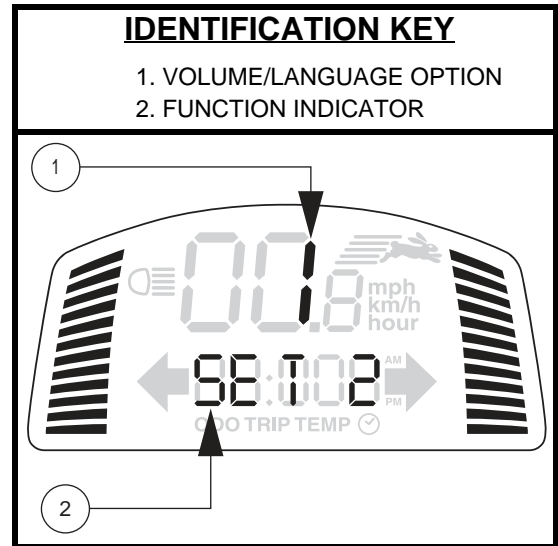


Figure 5. Volume Control Display

FUNCTION	BUTTONS	FUNCTION INDICATOR
Hazard Lights	SET + HAZARD LIGHTS	SET 1
Horn	SET + HORN	SET 2
Low Voltage	SET + LEFT TURN INDICATOR	SET 3
Turn Signals	SET + RIGHT TURN INDICATOR	SET 4
Error Message Language Option	SET + LIGHTS	SET 5 6 - Spanish 5 - Italian 4 - French 3 - German 2 - Dutch 1 - English 0 - Close

Chart 3. Volume Control Information

## II. YOUR SCOOTER

### LOWER TILLER (available on models 614 and 714 only)

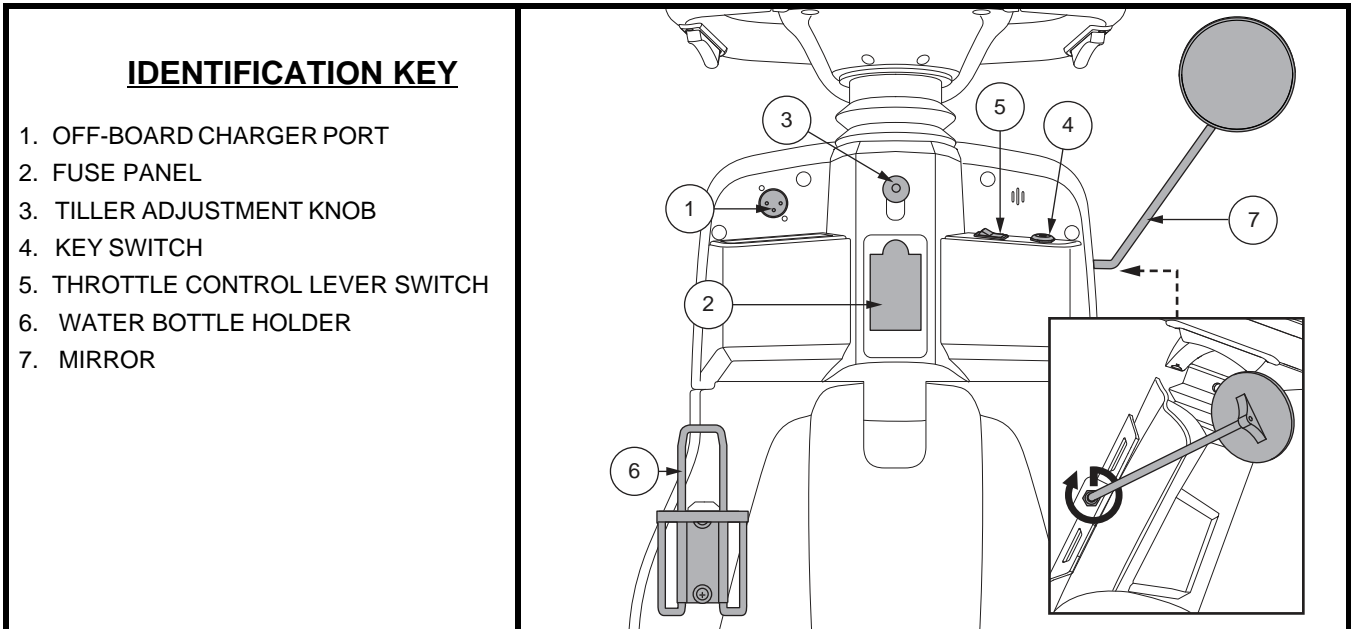


Figure 6. Lower Tiller Components

#### Off-board Charger Port

The off-board charger power cord plugs into this port during battery charging. The off-board charger port will be located on the tiller. See figure 6.

#### Electrical System Fuses

For information and a complete description of the fuse system, see figure 2.

#### Tiller Adjustment Lever or Tiller Adjustment Knob

See V. “Comfort Adjustments”.

#### Key Switch

- Insert the key into the key switch and turn it clockwise to power up (turn on) your scooter. See figure 6.
- Turn the key counterclockwise to power down (turn off) your scooter.



**WARNING! If the key is turned to the “off” position while your scooter is in motion, the electronic brakes will engage and your scooter will come to an abrupt stop!**

#### Throttle Control Lever Switch

This switch dictates which throttle control lever (left or right) will function. See figure 6.

- Toggle the switch to the left to activate the left throttle control lever.
- Toggle the switch to the right to activate the right throttle control lever.

**NOTE: Only one throttle control lever will function at a time.**

#### Water Bottle Holder

The water bottle holder is intended to hold a standard size, plastic water bottle. The holder can be attached to either side of the scooter using the supplied hardware.

## II. YOUR SCOOTER

### REAR COMPONENTS

The manual freewheel lever, anti-tip wheels (if equipped), motor/transaxle assembly, and optional safety flag brackets are located on your scooter as shown. See **figure 7**. The main circuit breaker (reset button) and batteries (not shown) are also located on the rear component section of your scooter.



**WARNING! Before placing your scooter into or taking it out of freewheel mode, remove the key from the key switch. Never sit on a scooter when it is in freewheel mode. Never put a scooter in freewheel mode on any incline.**

#### IDENTIFICATION KEY

1. MANUAL FREEWHEEL LEVER
2. MOTOR/TRANSAXLE ASSEMBLY
3. ANTI-TIP WHEELS (if equipped)
4. SAFETY FLAG BRACKETS

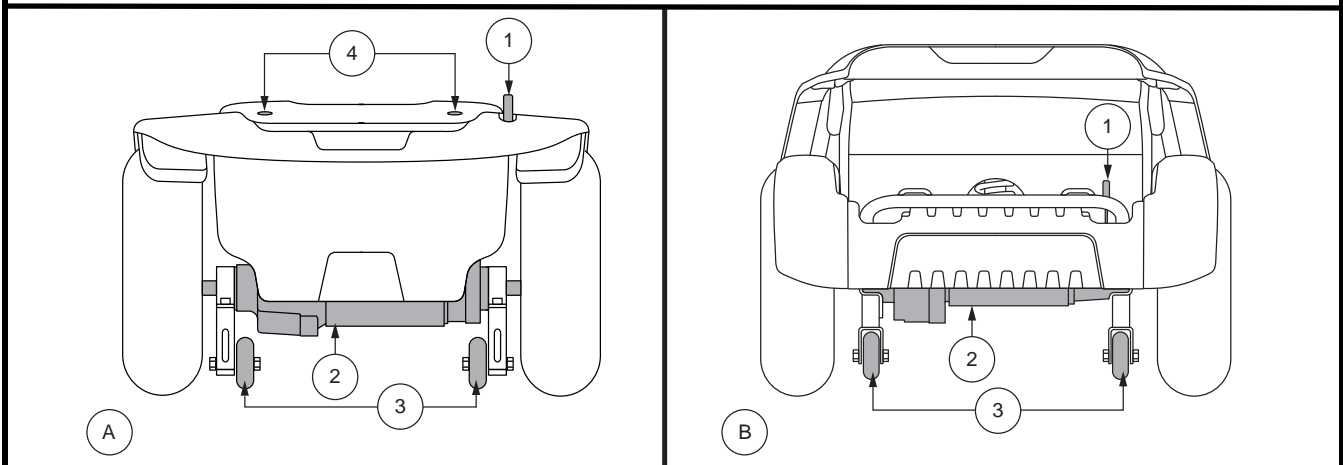


Figure 7. Rear Components

### Manual Freewheel Lever

Whenever you need or want to push your scooter for short distances, you can put it in freewheel mode.

1. Remove the key from the key switch.
2. Push forward on the manual freewheel lever to disable the drive system and the brake system. This will enable you to push the scooter.
3. Pull back on the manual freewheel lever to reengage the drive and the brake systems and take your scooter out of freewheel mode.



**WARNING! When your scooter is in freewheel mode, the braking system is disengaged.**

- **Disengage the drive motors only on a level surface.**
- **Ensure the key is removed from the key switch.**
- **Stand to the side of the scooter to engage or disengage freewheel mode. Never sit on a scooter to do this.**
- **After you have finished pushing your scooter, always return it to the drive mode to lock the brakes.**

**NOTE:** *If the scooter is placed in freewheel mode (manual freewheel lever forward) while the key is in the “on” position, the scooter will not run until the manual freewheel lever is pushed backward and the key is turned to the “off” position, then back to the “on” position.*

### Motor/Transaxle Assembly

The motor/transaxle assembly is an electromechanical unit that converts electrical energy from your scooter’s batteries into the controlled mechanical energy that drives the scooter’s wheels.



## II. YOUR SCOOTER

### Anti-Tip Wheels (If equipped)

The anti-tip wheels are an integral and important safety feature of your scooter. They are bolted to the frame at the rear of the scooter.



**PROHIBITED! Do not remove the anti-tip wheels or modify your scooter in any way that is not authorized by your Provider.**



**WARNING! The anti-tip wheels may cause interference with the smooth transition of your scooter when ascending or descending a curb. Contact your authorized Provider for more information.**

### Batteries

The batteries store electrical energy that powers your scooter. See III. “Batteries and Charging” for information on how to charge your scooter batteries.

### Safety Flag Bracket (Optional — Models 613/713)

Accessory brackets for installing an optional safety flag are mounted at the rear of the scooter. See figure 7.

#### To install the safety flag:

1. Remove the cap from the top of the bracket.
2. Insert the flag pole into the opening.

### Main Circuit Breaker

When the voltage in the batteries becomes low or your scooter is heavily strained because of excessive loads, the main circuit breaker may trip to protect the motor and electronics from damage. When the breaker trips, the entire electrical system shuts down. See figure 8.

- Three types:
  1. **Reset lever** flips down when the breaker trips.
  2. **Reset button** pops out when the breaker trips.
  3. **Automatic reset type** will reset itself after approximately a minute or so.
- Allow a minute or so for the electronics to “rest.”
- Push the reset lever up until you hear a click, or push in the reset button to reset the breaker.
- If the breaker trips frequently, you may need to charge the batteries more often or have your authorized Provider perform a load test on the batteries.
- If the main circuit breaker trips repeatedly, see your authorized Provider for service.

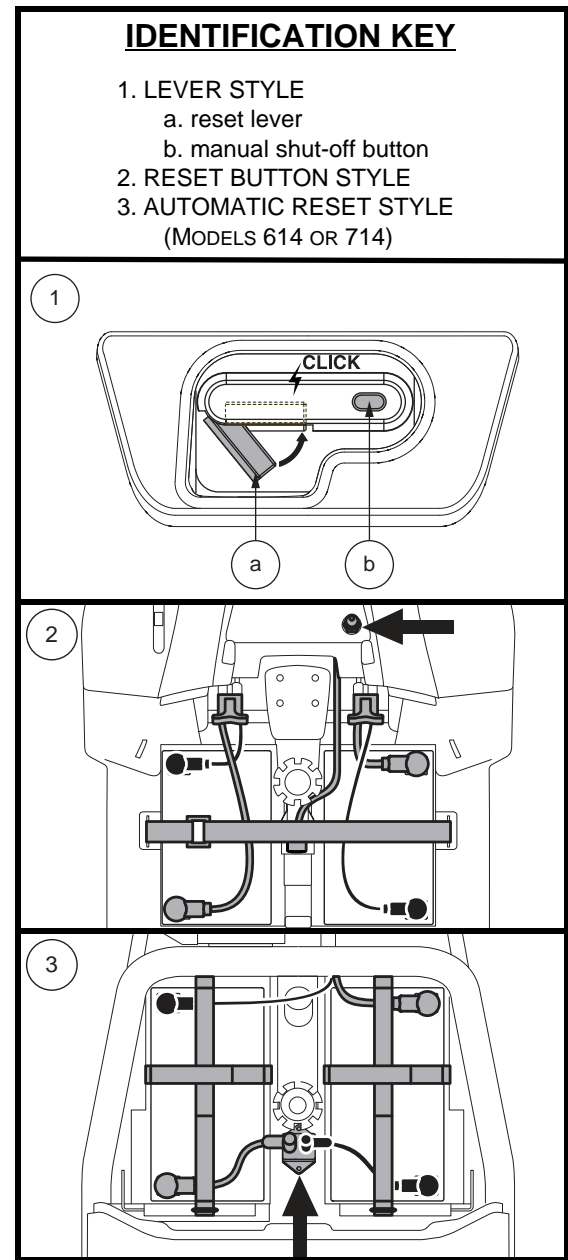


Figure 8. Main Circuit Breaker

# II. YOUR SCOOTER

**NOTICE:** *If you are preparing the scooter for transport or service, or if there is a situation that requires you to manually shut down the electrical system, press the manual shut-off button on the circuit breaker. This will cut all power to the scooter.*

**SECUREMENT POINTS**

Always secure the scooter in a forward-facing position in the vehicle. Attach the four tie-down straps to the designated securement points. **See figures 9 and 10.** Tighten the straps to sufficiently remove all slack. Never attach tie-downs to adjustable, moving, or removable parts of the scooter such as armrests, shrouds, and wheels. These items should be removed. Position the anchor points for the rear tie-down straps directly behind the rear securement points on the scooter. The front tie-down straps should anchor to floor points that are spaced wider than the scooter to provide increased lateral stability.



**WARNING!** Ensure scooters are properly secured to the motor vehicle during transport. Scooters that are not properly secured can become a hazard to the user and to other vehicle passengers in the event of a crash, sudden stopping, or swerving, as the scooter could tip or slide out of place.

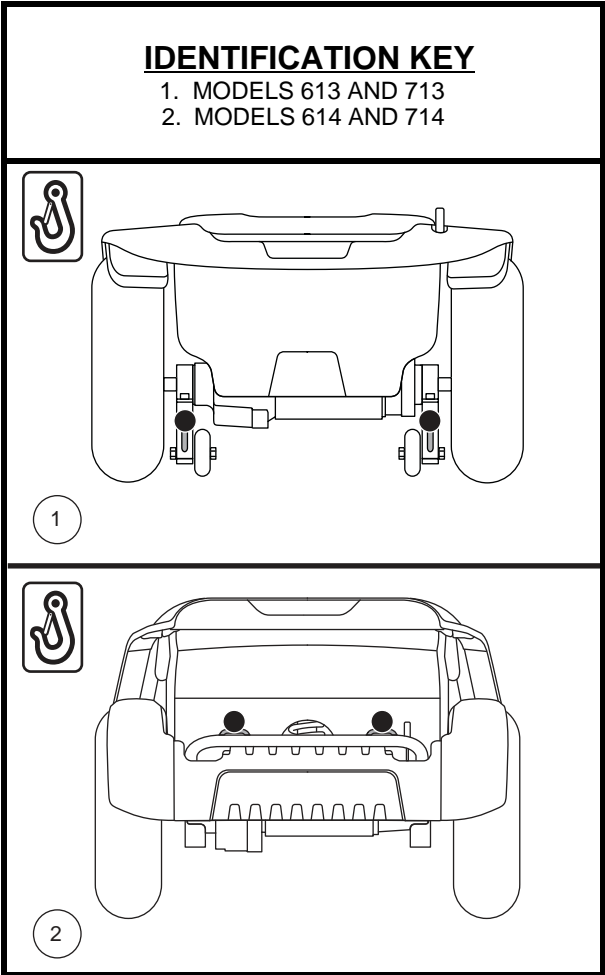


Figure 9. Rear Securement Points (Identified with black dots)

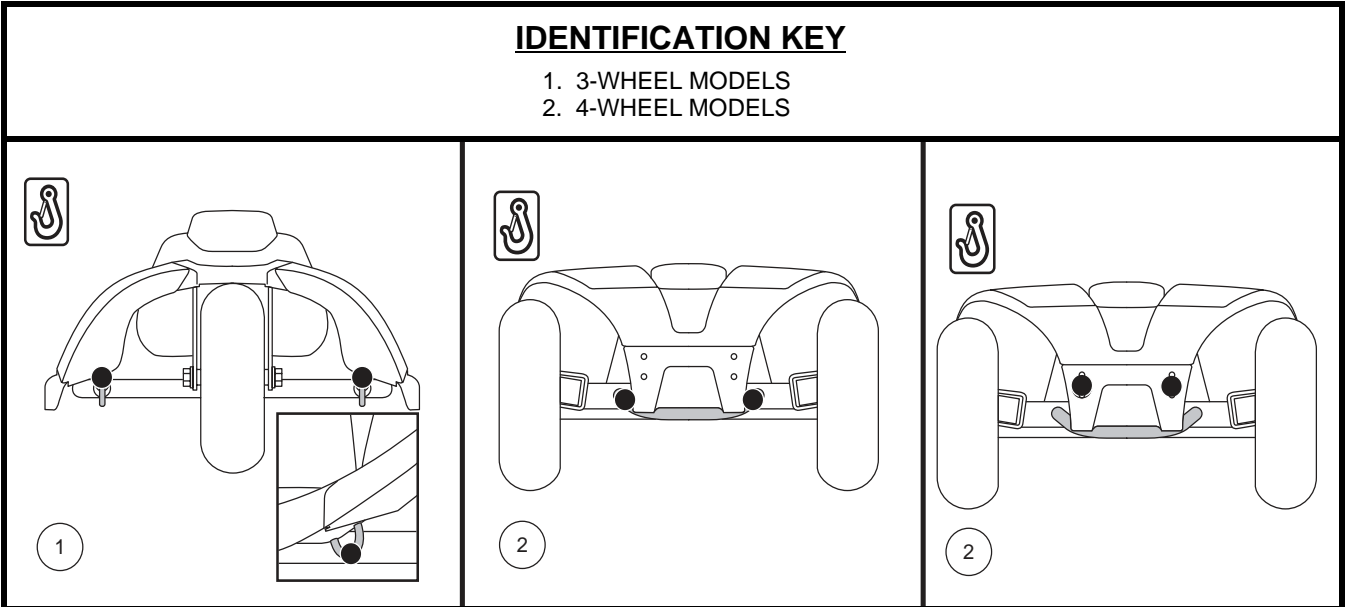


Figure 10. Front Securement Points (Identified with black dots)

# III. BATTERIES AND CHARGING

## BATTERIES AND CHARGING

Your scooter requires two long-lasting, 12-volt, deep-cycle batteries that are sealed and maintenance free. They are recharged by an off-board charging system.

- Charge your scooter's batteries for at least 8 to 14 hours prior to using it for the first time.
- Keep the batteries fully charged to keep your scooter running smoothly.

## READING YOUR BATTERY VOLTAGE

The battery condition meter on the tiller console indicates the approximate strength of your batteries using a color code. From right to left, green indicates fully charged batteries, yellow indicates a draining charge, and red indicates that an immediate recharge is necessary. See figure 11. To ensure the highest accuracy, the battery condition meter should be checked while operating your scooter at full speed on a dry, level surface. For models with the LCD screen, please refer to the "Battery Condition Indicator" section on page 13.

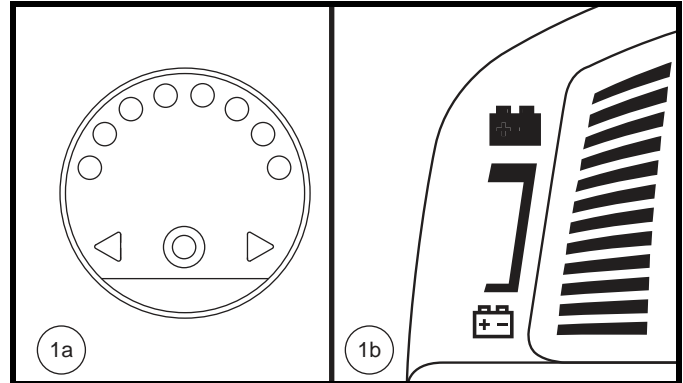


Figure 11. Battery Condition Meter

## CHARGING YOUR BATTERIES



**PROHIBITED!** Removal of grounding prong can create electrical hazard. If necessary, properly install an approved 3-pronged adapter to an electrical outlet having 2-pronged plug access.



**PROHIBITED!** Never use an extension cord to plug in your battery charger. Plug the charger directly into a properly wired standard electrical outlet.



**PROHIBITED!** Do not allow unsupervised children to play near the scooter while the batteries are charging. We recommend that you do not charge the batteries while the scooter is occupied.



**MANDATORY!** Read the battery charging instructions in this manual and in the manual supplied with the battery charger before charging the batteries.



**WARNING!** Explosive gases may be generated while charging the batteries. Keep the scooter and battery charger away from sources of ignition such as flames or sparks and provide adequate ventilation when charging the batteries.

**WARNING!** You must recharge your scooter's batteries with the supplied off-board charger. Do not use an automotive-type battery charger.

**WARNING!** Inspect the battery charger, wiring, and connectors for damage before each use. Contact your authorized Provider if damage is found.



**WARNING!** Do not attempt to open the battery charger case. If the battery charger does not appear to be working correctly, contact your authorized Provider.

**WARNING!** If the battery charger is equipped with cooling slots, then do not attempt to insert objects through these slots.

**WARNING!** Be aware that the battery charger case may become hot during charging. Avoid skin contact and do not place on surfaces that may be affected by heat.



**WARNING!** If your battery charger has not been tested and approved for outdoor use, then do not expose it to adverse or extreme weather conditions. If the battery charger is exposed to adverse or extreme weather conditions, then it must be allowed to adjust to the difference in environmental conditions before use indoors. Refer to the manual supplied with the battery charger for more information.

# III. BATTERIES AND CHARGING

Follow these easy steps to charge the batteries:

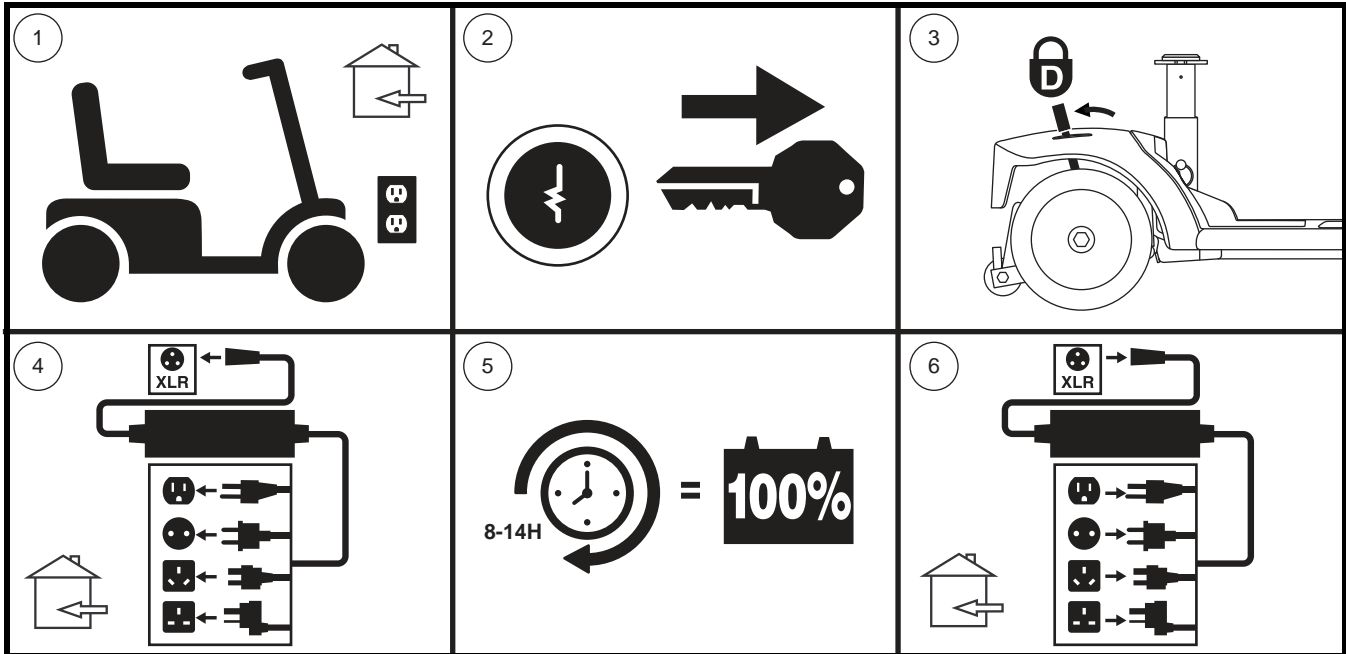


Figure 12. Battery Charging Procedures Diagram



**WARNING! The LED lights on the charger indicate different charger conditions at various times. If the LED does not indicate that charging is complete within 24 hours, unplug the charger from the outlet and contact your Provider. Refer to the operating instructions supplied with the charger for a complete explanation of these indicators.**

**NOTE:** There is a charger inhibit function on your scooter. The scooter will not run and the battery condition meter will not operate while the batteries are charging.

## FREQUENTLY ASKED QUESTIONS

### How does the charger work?

When your scooter's battery voltage is low, the charger works harder, sending more electrical current to the batteries to bring up their charge. As the batteries approach a full charge, the charger sends less and less electrical current. When the batteries are fully charged, the current sent from the charger is at nearly zero amperage. Therefore, when the charger is plugged in, it maintains the charge on your scooter's batteries, but does not overcharge them. Refer to the manual supplied with the battery charger for charging instructions.

### Can I use a different charger?

Chargers are selected precisely for particular applications and are especially matched to the type, size and chemical formulation of specific batteries. For the safest and most efficient charging of your scooter's batteries we recommend only use of the charger supplied as original equipment with your product. Any charging method resulting in batteries being charged individually is especially prohibited.

### What if my scooter's batteries won't charge?

- Ensure the red (+) and black (-) battery cables are connected properly to the battery terminals.
- Ensure both ends of the charger power cord are inserted fully.

# III. BATTERIES AND CHARGING

## **How often must I charge the batteries?**

Two major factors must be considered when deciding how often to charge your scooter's batteries:

- All day scooter use on a daily basis.
- Infrequent or sporadic scooter use.

With these considerations in mind, you can determine how often and for how long you should charge your scooter's batteries. The battery charger was designed so that it will not overcharge your scooter's batteries. However, you may encounter some problems if you do not charge your batteries often enough and if you do not charge them on a regular basis. Following the guidelines below will provide safe and reliable battery operation and charging.

- If you use your scooter daily, charge its batteries as soon as you finish using it for the day. Your scooter will be ready each morning. We recommend that you charge your scooter's batteries for at least 8 to 14 hours after daily use. We recommend that you charge the batteries for an additional 4 hours after the battery charger indicates that charging is complete.
- If you use your scooter once a week or less, charge its batteries at least once a week for at least 24 hours.

***NOTE: Keep your batteries fully charged and avoid deeply discharging your batteries. Refer to the manual supplied with the battery charger for charging instructions. We recommend charging your batteries for at least 48 continuous hours once per month to improve battery performance and battery life.***

## **How can I ensure maximum battery life?**

Fully charged deep-cycle batteries provide reliable performance and extended battery life. Keep your scooter's batteries fully charged whenever possible. Protect your scooter and batteries from extreme heat or cold. Batteries that are regularly and deeply discharged, infrequently charged, stored in extreme temperatures, or stored without a full charge may be permanently damaged, causing unreliable performance and limited service life.

***NOTE: To extend battery life, always turn off scooter and remove the key when not in use.***

## **How can I get maximum range or distance per charge?**

Rarely will you have ideal driving conditions—smooth, flat, hard driving surfaces with no wind or curves. Often, you will face hills, pavement cracks, uneven and loosely packed surfaces, curves, and wind, all of which affect the distance or running time per battery charge. Below are a few suggestions for obtaining the maximum range per battery charge.

- Always fully charge your scooter's batteries prior to daily use.
- Maintain but do not exceed the psi/bar/kPa air pressure rating indicated on each tire.
- Plan your route ahead to avoid as many hills, cracked, broken, or soft surfaces as possible.
- Limit your baggage weight to essential items.
- Try to maintain an even speed while your scooter is in motion.
- Avoid stop-and-go driving.
- We recommend charging your batteries for at least 48 continuous hours once per month to improve battery performance and battery life.
- Make sure all harness connections are secured properly.

# III. BATTERIES AND CHARGING

## What type and size of battery should I use?

We recommend deep-cycle batteries that are sealed and maintenance free. Both AGM and Gel-Cell are deep-cycle batteries that are similar in performance. Do not use wet-cell batteries, which have removable caps.



**WARNING! Corrosive chemicals are contained in batteries. Use only AGM or Gel-Cell batteries to reduce the risk of leakage or explosive conditions.**

**NOTE:** *Sealed batteries are not serviceable. Do not remove the caps.*

## Why do my new batteries seem weak?

Deep-cycle batteries employ a different chemical technology than that used in car batteries, nickel-cadmium batteries (nicads), and other common battery types. Deep-cycle batteries are specifically designed to provide power, drain down their charge, and then accept a relatively quick recharge.

We work closely with our battery manufacturer to provide batteries that best suit your scooter's specific electrical demands. Fresh batteries are shipped fully charged to our customers. During shipping, the batteries may encounter temperature extremes that can influence their initial performance. Heat diminishes the charge on the battery; cold slows the available power and extends the time needed to recharge the battery.

It may take a few days for the temperature of your scooter's batteries to stabilize and adjust to their new room or ambient temperature. More importantly, it takes a few charging cycles (partial draining followed by full recharging) to establish the critical chemical balance that is essential to a deep-cycle battery's peak performance and long life.

## Follow these steps to properly break in your scooter's new batteries for maximum efficiency and service life:

1. Fully recharge any new battery prior to its initial use. This charging cycle brings the battery up to about 88% of its peak performance level.
2. Operate your new scooter in familiar and safe areas. Drive slowly at first, and do not travel too far from your home or familiar surroundings until you have become accustomed to your scooter's controls and have properly broken in your scooter's batteries.
3. Fully recharge the batteries. They should be at over 90% of their peak performance level.
4. Operate your scooter again, then fully recharge the batteries again.
5. After four or five charging cycles, the batteries are able to receive a charge of 100% of their peak performance level and are able to last for an extended period of time.

## What about public transportation?

AGM and Gel-Cell batteries are designed for application in scooters and other mobility vehicles. These batteries are Federal Aviation Administration (FAA) approved (United States only), allowing safe transportation on aircraft, buses, and trains, as there is no danger of spillage or leakage. We suggest you contact the carrier's ticket counter in advance to determine that carrier's specific requirements.

# III. BATTERIES AND CHARGING

How do I change a battery in my scooter?



**MANDATORY!** Battery posts, terminals, and related accessories contain lead and lead compounds. Wear goggles and gloves when handling batteries and wash hands after handling.



**PROHIBITED!** Always use two batteries of the exact same type, chemistry, and amp-hour (Ah) capacity. Refer to the specifications table in this manual and in the manual supplied with the battery charger for recommended type and capacities.

**WARNING!** Do not mix old and new batteries. Always replace both batteries at the same time.



**WARNING!** Contact your authorized Provider if you have any questions regarding the batteries in your scooter.

**WARNING!** Do not replace the batteries while the scooter is occupied.

**WARNING!** The batteries on your scooter should only be serviced or replaced by an authorized Provider or a qualified technician.



**PROHIBITED!** Keep tools and other metal objects away from battery terminals. Contact with tools can cause electrical shock.

You may need the following to change your batteries:

- Metric/standard socket set and ratchet
- Adjustable wrench



**WARNING!** Do not lift beyond your physical capability. Ask for assistance when necessary while disassembling or assembling your scooter.

To change batteries in your scooter:

1. Remove the seat and battery shroud. See figure 13.
  - a.) For models 614 and 714, remove the rear shroud by removing the two (2) thumbscrews that secure it to the scooter frame, and then lifting the shroud straight up and off of the scooter. See figure 13.
  - b.) For models 614 and 714, remove the battery shroud by removing the four (4) thumbscrews that secure it to the scooter frame, and then lifting the shroud straight up and off of the scooter. See figure 13.
2. Disconnect the battery tie-down strap(s).
3. For all models EXCEPT 614 and 714, disconnect the front-to-rear harness. Unplug both battery harnesses by pulling each harness out of its mating plug. See figure 14.



**WARNING!** Do not pull on electrical harness wires directly to detach them from the scooter. Always grasp the connector itself when disconnecting the harness to prevent wire damage.

**WARNING!** Failure to unplug both battery harnesses and front-to-rear harness prior to separating the front and rear sections could result in permanent damage to the scooter.

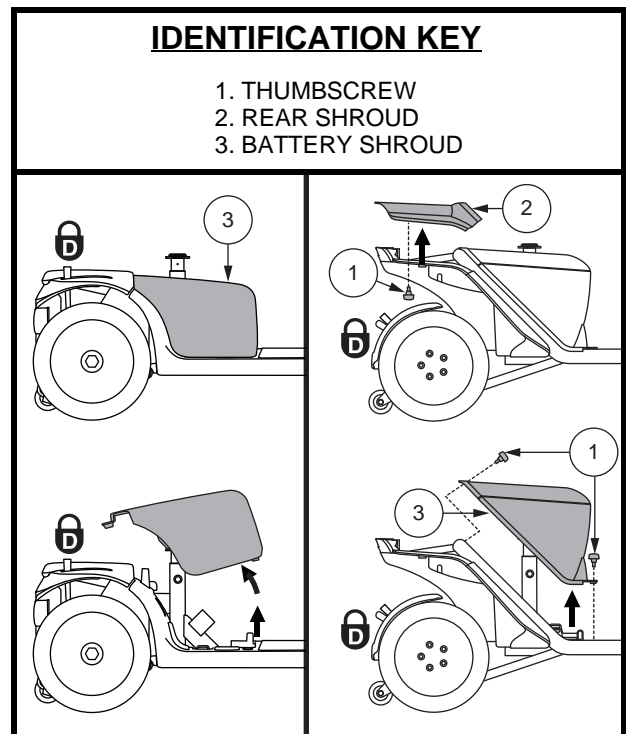


Figure 13. Battery Shroud Removal/Installation

# III. BATTERIES AND CHARGING

## IDENTIFICATION KEY

1. MAIN CIRCUIT BREAKER
  - 1a. Reset Button
  - 1b. Reset Lever
  - 1c. Auto Reset style

2. BATTERY TERMINALS UNDER BOOTS
3. BATTERY TIE-DOWN STRAP
4. BATTERY HARNESS CONNECTORS
5. FRONT-TO-REAR HARNESS CONNECTOR

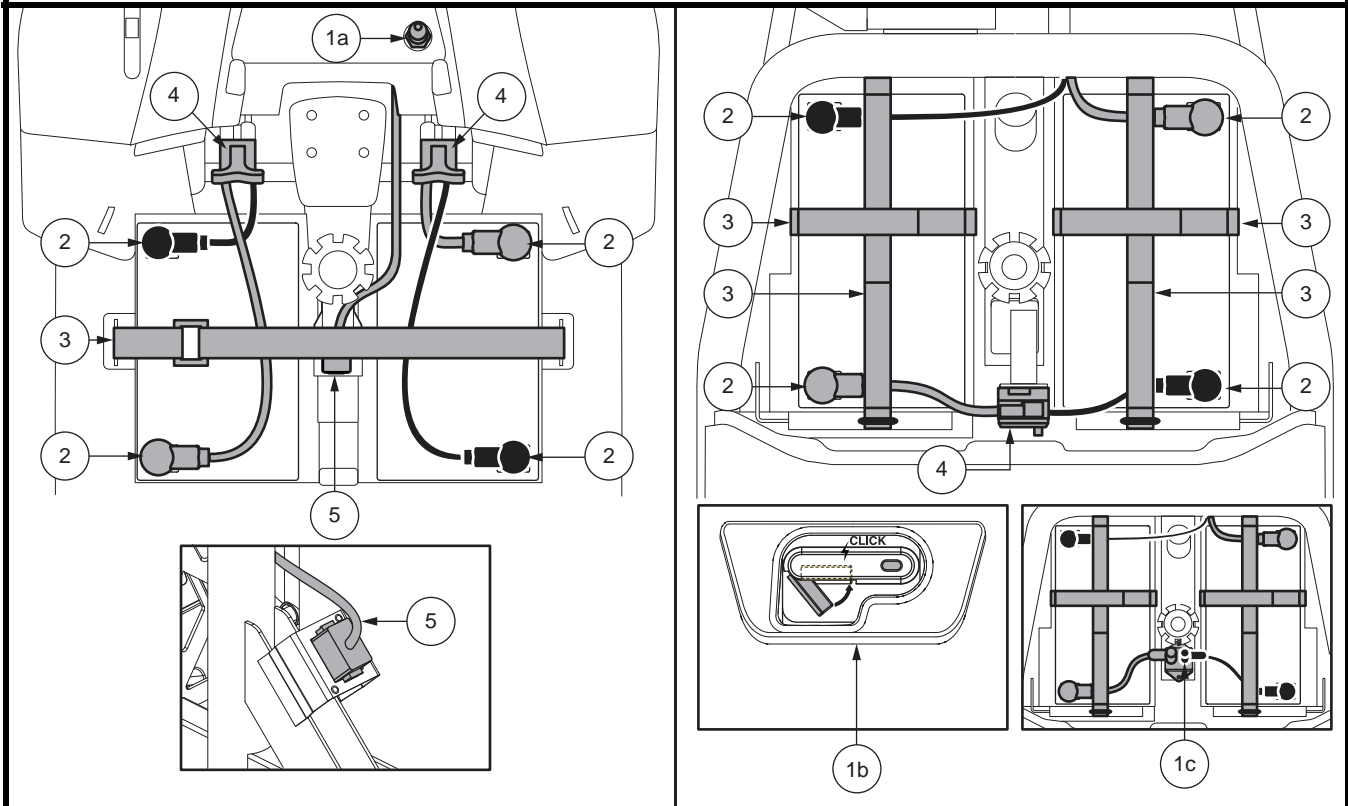


Figure 14. Battery Removal/Installation Terminals and Connections

4. Disconnect the battery cables from the battery terminals by sliding back the terminal boots and unscrewing the nut from the bolt. **See figure 15.**
5. Remove the old batteries from the battery wells.

**NOTE:** Some scooters have spacers installed to secure the batteries. You may want to remove the spacers for safe keeping until the batteries are replaced in the scooter. **See figure 16.**

6. Place a new battery in each battery well. Face the battery terminals of each battery away from the seat post with the positive (+) and negative (-) battery terminals positioned as shown in **figure 14.**

**NOTE:** Models 614 and 714 use battery straps to secure batteries in the battery wells. Please refer to figure 16 for battery strap installing procedures.

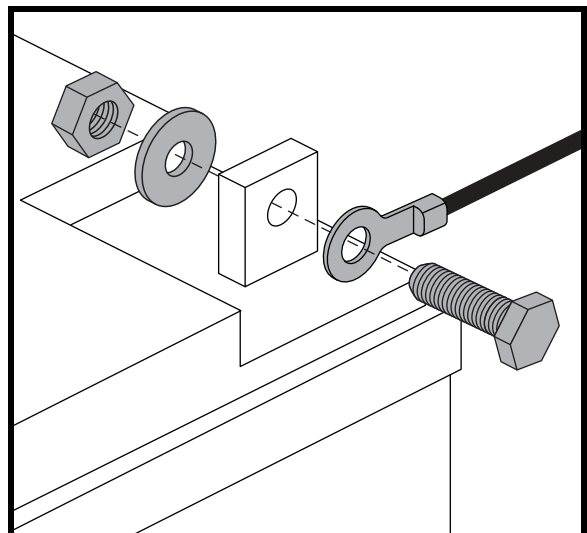


Figure 15. Battery Terminal Hardware



# III. BATTERIES AND CHARGING

7. Connect the red battery cable to the positive (+) battery terminal on each battery.
8. Connect the black battery cable to the negative (-) battery terminal on each battery.
9. Reposition the terminal boots over the battery terminals.
10. Reconnect the battery tie-down straps.
11. Reinstall the battery shroud, the rear shroud, and the seat.

**NOTE:** If you encounter a damaged or cracked battery, immediately enclose it in a plastic bag. Contact your local waste disposal agency or your authorized Provider for instructions on disposal and battery recycling, which is our recommended course of action.

## Battery Securement and Strap Routing

1. Secure the batteries in the battery wells by routing the provided battery straps through the battery well slots as shown.
2. Ensure the short strap runs over the top of the long strap.

**NOTE:** Before securing both straps, ensure the D-ring is positioned as shown here. The D-ring should be positioned within 1 inch (2.54 cm) of, but never touch, the battery well.

3. Any excess strapping should be placed facing the back, or next to the seat post, of the scooter.



**WARNING!** The battery straps should never be positioned under the battery.

## IDENTIFICATION KEY

- |                      |                    |
|----------------------|--------------------|
| 1. REUSABLE FASTENER | 5. FRONT SLOT      |
| 2. SHORT STRAP       | 6. SIDE SLOT       |
| 3. LONG STRAP        | 7. REAR SLOT       |
| 4. D-RING            | 8. BATTERY SPACERS |

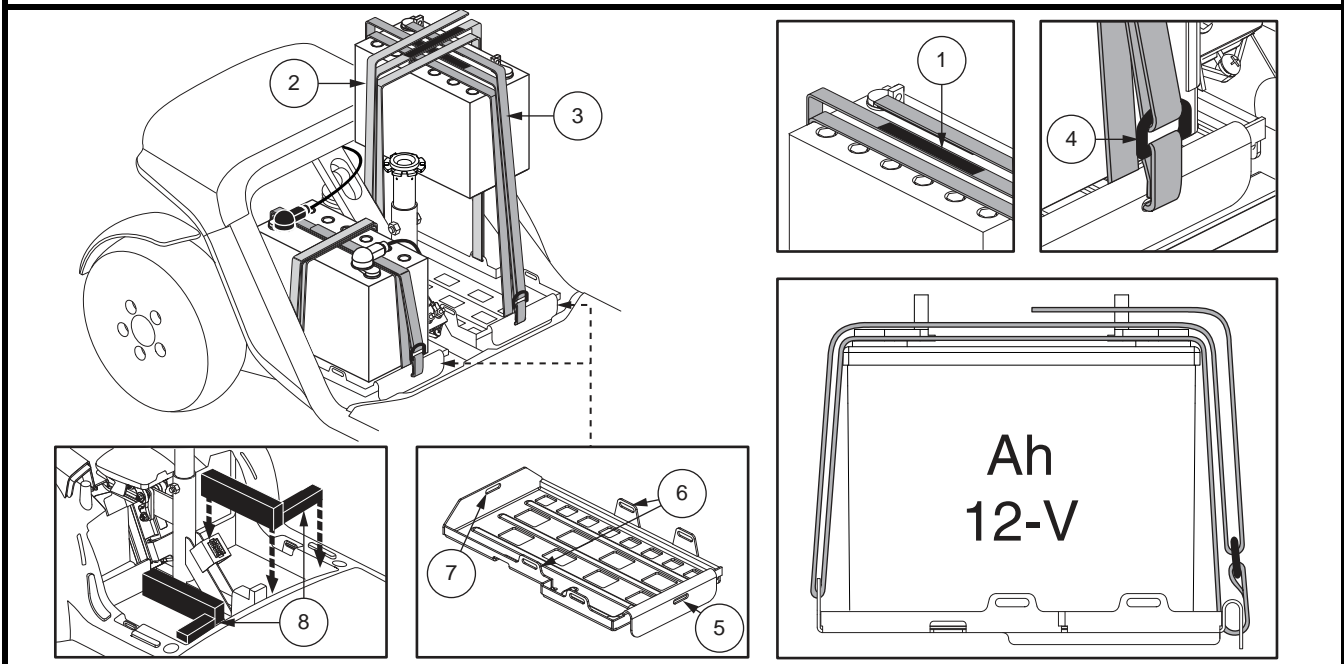


Figure 16. Battery Securement for Models 614 and 714

# IV. OPERATION

## BEFORE GETTING ONTO YOUR SCOOTER

- Have you fully charged the batteries? See III. “Batteries and Charging.”
- Is the manual freewheel lever in the drive (rearward) position? Never leave the manual freewheel lever pushed forward unless you are manually pushing your scooter.
- Ensure the air temperature is between -13°F/-25°C to 122°F/50°C.

## GETTING ONTO YOUR SCOOTER

1. Make certain that the key is removed from the key switch.



**WARNING! Never attempt to get onto or off of your scooter without first removing the key from the key switch. This will prevent the scooter from moving if accidental throttle control lever contact is made.**

2. Stand at the side of your scooter.
3. Disengage the seat rotation lever and rotate the seat until it is facing you.
4. Make certain that the seat is fixed securely in position.
5. Position yourself comfortably and securely in the seat.
6. Disengage the seat rotation lever and rotate the seat until you are facing forward.
7. Make certain that the seat is fixed securely in position.
8. Make certain that your feet are safely on the floorboard.

## PRE-RIDE ADJUSTMENTS AND CHECKS

- Is the seat at the proper height? See V. “Comfort Adjustments.”
- Is the seat fixed securely in position?
- Is the tiller at a comfortable setting and locked securely in place? See V. “Comfort Adjustments.”
- Is the key fully inserted into the key switch and turned clockwise to the “on” position?
- Does the horn work properly?
- Is your proposed path clear of people, pets, and obstacles?
- Have you planned your route to avoid adverse terrain and as many inclines as possible?

## OPERATING YOUR SCOOTER

**WARNING! The following can adversely affect steering and stability while operating your scooter, resulting in loss of control, tipping, and/or personal injury:**

- Holding onto or attaching a leash to walk your pet
- Carrying passengers (including pets)
- Hanging any article from the tiller
- Towing or being pushed by another motorized vehicle



**WARNING! Tipping Risk! Avoid abrupt maneuvers at excessive speed. It is recommended that you set the speed adjustment dial to the lowest setting until you become familiar with scooter controls and operation.**

**WARNING! Scooter braking distances are greater on an incline than on the horizontal.**

**WARNING! Keep both hands on the tiller and your feet on the floorboard at all times while operating your scooter. This driving position gives you the most control over your vehicle.**

- Set the speed adjustment dial to your desired speed.
- Push or pull the appropriate side of the throttle control lever.
- The electromechanical disc park brake automatically disengages and the scooter accelerates smoothly to the speed you preselected with the speed adjustment dial.

## IV. OPERATION

- Pull on the left handgrip to steer your scooter to the left.
- Pull on the right handgrip to steer your scooter to the right.
- Move the tiller to the center position to drive straight ahead.
- To stop, slowly release the throttle control lever. The electronic brakes will automatically engage, bringing your scooter to a stop.

**NOTE:** *Your scooter's reverse speed is slower than that of the forward speed you preset with the speed adjustment dial or on the LCD control panel.*

### GETTING OFF OF YOUR SCOOTER

1. Bring your scooter to a complete stop.
2. Power down your scooter and remove the key from the key switch.



**WARNING! Never attempt to get onto or off of your scooter without first removing the key from the key switch. This will prevent the scooter from moving if accidental throttle control lever contact is made.**

3. Disengage the seat rotation lever and rotate the seat until you are facing toward the side of your scooter.
4. Make certain that the seat is fixed securely in position.
5. Carefully and safely get out of the seat and stand to the side of your scooter.
6. You can leave the seat facing to the side to facilitate boarding your scooter next time.

### POWER DOWN TIMER FEATURE

Your scooter is equipped with an energy saving automatic power down timer feature designed to preserve your scooter's battery life. If you mistakenly leave the key in the key switch and in the "on" position but do not use your scooter for approximately 20 minutes, the scooter's controller shuts down automatically. Although the controller is shut down, power will still be supplied to the scooter's lighting system.

If the power down timer feature takes effect, perform the following steps to resume normal operation:

1. Remove the key from the key switch.
2. Reinsert the key and power up your scooter.

# V. COMFORT ADJUSTMENTS

## TILLER ANGLE ADJUSTMENT (See figure 1 or 6)

**WARNING!** Remove the key from the key switch before adjusting the tiller or the seat. Never attempt to adjust the tiller or the seat while the scooter is in motion.



**WARNING!** Prior to operating the scooter, push and pull on the tiller to ensure that the angle adjustment mechanism is secure. Inspect the tiller adjustment knob and the angle adjustment mechanism to ensure that they are fully engaged. If there is movement in the tiller, check to make sure that the tiller adjustment knob is fully tightened.



**WARNING!** Do not attempt to use the tiller adjustment lever as a handbrake.

**NOTE:** In order to fully lower the tiller for purposes of disassembly or transport, you must first completely remove the seat.

## MIRROR POSITION

**To install the mirror (see figure 1 or 6):**

1. Determine on which side to install the mirror and remove the rubber plug from the top of the tiller handle.
2. Insert the threaded end of the mirror holder into the opening and rotate it clockwise until snug.
3. If necessary, rotate the nut clockwise to secure the mirror in place.

**To adjust the mirror:**

1. Position yourself in a seated driving position facing forward.
2. Adjust the mirror left, right, up, or down until you have a good line of sight behind you.

## SEATBACK ADJUSTMENT

**WARNING!** Do not operate your scooter with the seatback in a reclined position.



**WARNING!** Always keep your back pressed firmly against the seatback while adjusting the angle.

To adjust your scooter's reclining seat, you can adjust the seatback angle with the seatback adjustment lever. See figure 17.

1. With your back pressed up against the seatback, lift up on the seatback adjustment lever and lean forward or rearward to adjust the seatback angle.
2. Release the seatback adjustment lever once the seat is in a comfortable riding position.

### IDENTIFICATION KEY

1. SEATBACK ADJUSTMENT LEVER
2. SEAT ROTATION LEVER
3. ARMREST ANGLE ADJUSTMENT DIAL
4. SEAT SLIDING LEVER
5. ACCESSORY BRACKET
6. DETENT PIN

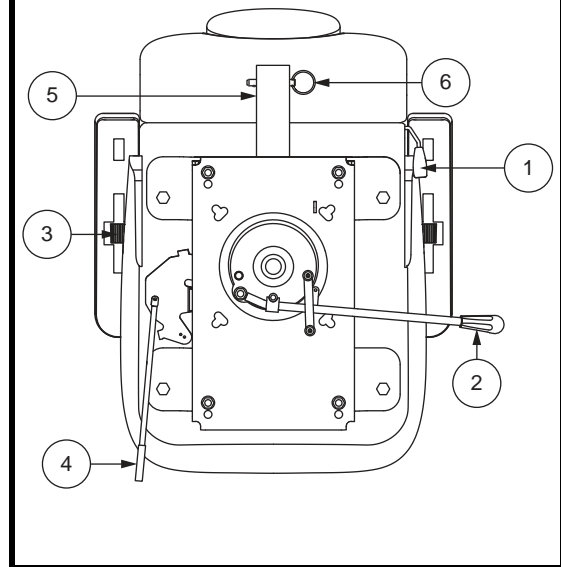


Figure 17. Seatback Adjustment

# V. COMFORT ADJUSTMENTS

## SEAT ROTATION ADJUSTMENT

The seat rotation lever will secure the seat into several positions.

1. Pull upward on the seat rotation lever to disengage the seat. **See figure 17.**
2. Rotate the seat to the desired position.
3. Release the lever to secure the seat into place.

## ARMREST ANGLE ADJUSTMENT

Armrest angle of your scooter can be adjusted upward or downward by turning the adjustment dial. **See figure 17.**

**NOTE:** *The armrests also pivot upward to make getting on and off of your scooter easier.*

## FRONT-TO-BACK SEAT ADJUSTMENT

You can reposition the seat forward or rearward to adjust the distance between the seat and the tiller.

1. Move the seat sliding lever located at the lower left side of the seat outward. **See figure 17.**
2. While holding the lever out, slide the seat forward or rearward.
3. Release the seat sliding lever once the seat is in the desired position.

## ACCESSORY BRACKET

The rear-mounted accessory bracket allows you to attach a personal accessory such as a basket, walker holder, or oxygen tank to the back of your scooter. Utilize the detent pin to securely mount your item to the accessory bracket. **See figure 17.** See your authorized Provider for details.

## SEAT HEIGHT ADJUSTMENT

The seat can be repositioned to several different heights. **See figure 18.**

1. Remove the seat and rear shrouds from your scooter.
2. Remove the seat height adjustment bolt.
3. Raise or lower the upper seat post to the desired seat height.
4. While holding the upper seat post at that height, align the adjustment holes of the upper and lower seat posts.
5. Insert the seat height adjustment bolt through the locating holes of both the upper and lower seat posts.
6. Reinstall the nut onto the seat height adjustment bolt and tighten.
7. Reinstall the rear shrouds and the seat.

### IDENTIFICATION KEY

1. UPPER SEAT POST
2. NUT
3. SEAT HEIGHT ADJUSTMENT BOLT
4. LOWER SEAT POST

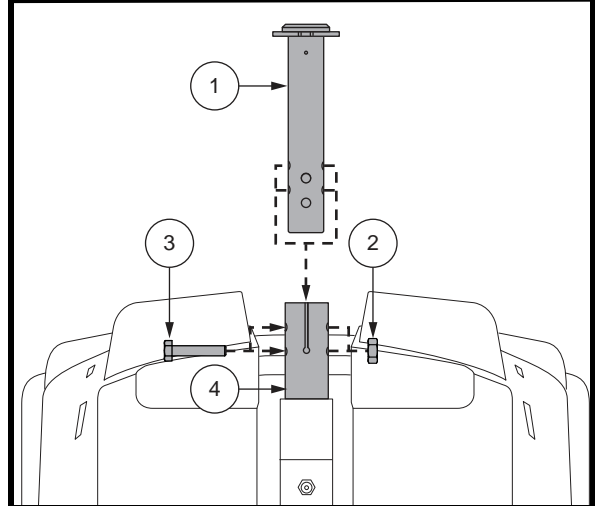


Figure 18. Seat Height Adjustment

### IDENTIFICATION KEY

1. BOOT
2. UPPER SEAT POST
3. COMFORT SPRING  
weight capacities: 0-220 lbs. (0-90.72 kg)  
220-400 lbs. (90.72-181.44 kg)
4. SPACER
5. SHOULDER BOLT (210 in • lb [24 N • m])
6. LOWER SEAT POST
7. WASHER
8. NUT

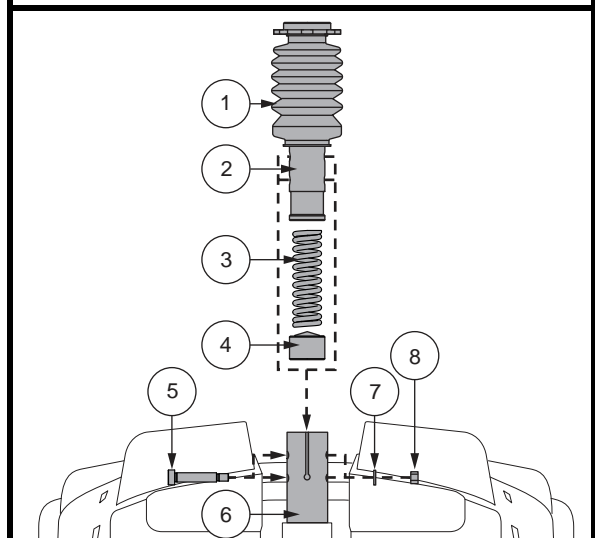


Figure 19. Seat Height Adjustment - Comfort Seat Post

# V. COMFORT ADJUSTMENTS

## SEAT HEIGHT ADJUSTMENT—COMFORT SEAT POST (IF EQUIPPED)

To reposition the seat to one of two different heights:

1. Remove the seat from your scooter. Pull upward and hold the seat rotation lever to disengage the seat, then rotate the seat and lift it off of the scooter.
2. Remove the rear shroud.
3. Push up the seat post boot to uncover the hardware.
4. Push down on the seat post while loosening and removing the shoulder bolt, washer, and nut. **See figure 19.**
5. Remove the comfort spring.
6. To raise the seat to the top most mounting hole, insert the height adjustment spacer. To lower the seat to the lowest mounting hole, remove the height adjustment spacer.
7. Reinstall the comfort spring.
8. Hold the upper seat post at the desired height and match up the locating holes in the lower seat post. Utilize the top holes for the upper position or the bottom holes for the lower position.

**NOTE:** When the seat post is mounted in the upper position, you must utilize two spacers.

9. Press down on the seat post while reinstalling the hardware and tightening to 210 in • lb (24 N • m).
10. Replace the rear shroud and the seat.

## SEAT SUSPENSION ADJUSTMENT (IF AVAILABLE)

You can loosen or stiffen the seat suspension based on which comfort spring you install.

To adjust the seat suspension:

1. Remove the seat from your scooter. Pull upward and hold the seat rotation lever to disengage the seat, then rotate the seat and lift it off of the scooter.
2. Remove the rear shroud.
3. Push up the seat post boot to uncover the hardware.
4. Push down on the seat post while loosening and removing the hex head bolt and nut.
5. Remove the current spring.
6. Install the desired spring. **See figure 19.**
7. Press down on the seat post while reinstalling the hardware and tightening to 210 in • lb (24 N • m).
8. Replace the rear shroud and the seat.

## POSITIONING BELT (OPTIONAL)

Your scooter seat may be equipped with an auto-type positioning belt that can be adjusted for operator comfort. The positioning belt is designed to help support the operator so that he or she does not slide down or forward in the seat. The positioning belt is not designed for use as a restraining device.



**WARNING! The positioning belt is not designed for use as a seat belt in a motor vehicle. Nor is your scooter suitable for use as a seat in any vehicle. Anyone traveling in a vehicle should be properly belted into seats approved by the vehicle manufacturer.**

**WARNING! The positioning belt should be secured at all times. Never allow the positioning belt to hang or drag on the floor as it may become entangled.**

# V. COMFORT ADJUSTMENTS

## To install the positioning belt (if required):

1. Remove the seat from your scooter.
2. Place the seat upside down so that you can see the bottom of the seat base. **See figure 20.**
3. Use a wrench to remove the two rear bolts that attach the seat frame to the seat base.
4. Insert the bolt through the appropriate ends of the positioning belt and then reinstall the bolts and belt back into the seat bottom.
5. Tighten the bolts.

## Metal tab style positioning belt

### To adjust the positioning belt for operator comfort:

1. Insert the metal tab on the right side of the belt into the plastic housing on the opposite strap until you hear a “click.” **See figure 21.**
2. Pull the strap on the right side of the belt until it is secure, but not so tight as to cause discomfort.

### To release the positioning belt:

1. Press the push button mechanism on the plastic housing.

## Reusable hook and loop fastener style positioning belt

### To adjust the positioning belt for operator comfort:

1. Align the two sides of the belt placing the looped-end side directly above the coarser side (“hook”) of the opposite belt. Press firmly together to fasten. **See figure 21.**

### To release the positioning belt:

1. Grasp the looped-end side of the belt and pull up to detach from the other side of the belt.

**MANDATORY!** Make sure the positioning belt is properly secured to the scooter and is adjusted for operator comfort before each use.



**MANDATORY!** Inspect the positioning belt for loose parts or damage, including tears, worn spots, bent hardware, or damaged latch mechanisms, dirt or debris, before each use of the scooter. If you discover a problem, contact your authorized Provider for maintenance and repair.

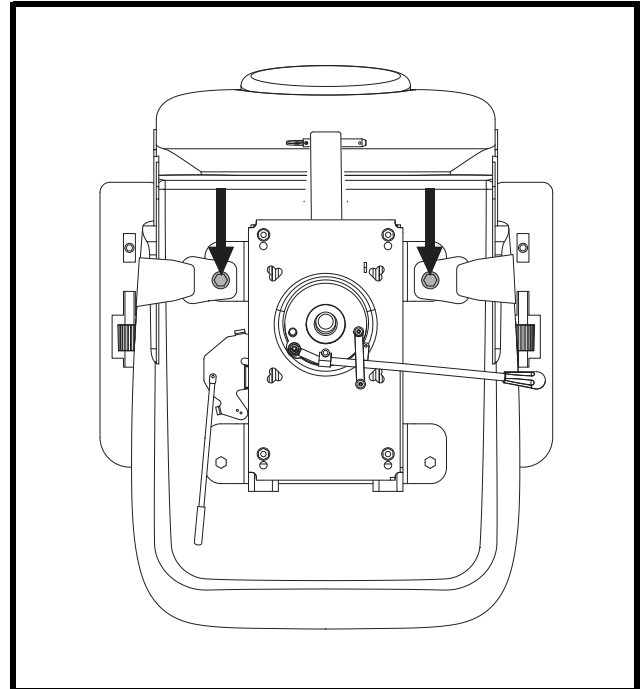


Figure 20. Positioning Belt Bolts

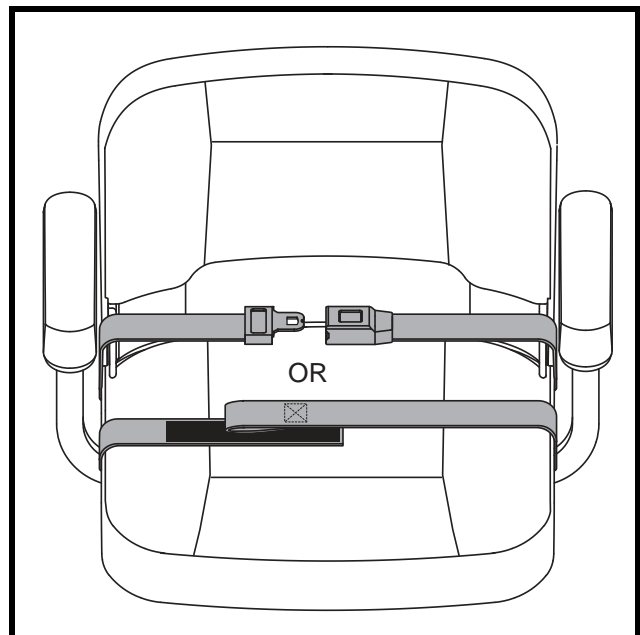


Figure 21. Positioning Belt - Metal Tab Style or Reusable Hook and Loop Fastener Style

## VI. DISASSEMBLY AND ASSEMBLY

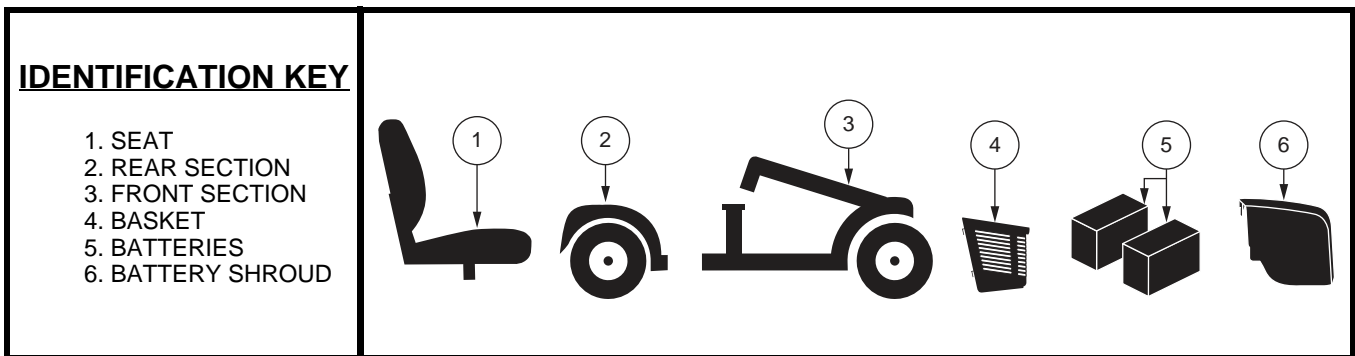
**NOTE:** Please check the Scooter Features Table on the inside of the front cover to determine if your scooter model can be disassembled for transporting or storage purposes.

### DISASSEMBLY

You can disassemble the scooter into several pieces: the seat, the rear section, the front section, the batteries, the basket, and the battery shroud. See **figure 22**. No tools are required to disassemble or assemble your scooter, but keep in mind that the disassembled sections of the scooter take up more floor space than the assembled unit. Always disassemble or assemble your scooter on a level, dry surface with sufficient room for you to work and move around your scooter—about 5 feet (1.5 meters) in all directions. Remember that some scooter components are heavy and you may need assistance when lifting them.



**WARNING!** Do not lift beyond your physical capability. Ask for assistance when necessary while disassembling or assembling your scooter.



**Figure 22.** Disassembled scooter

1. Remove the seat by lifting it straight up and off of the scooter. If you encounter resistance when removing the seat, disengage the seat rotation lever and swivel the seat back and forth while lifting up on the seat.
2. Gently pull the battery shroud forward, then lift up and off of the scooter.
3. Disconnect the battery tie-down strap.
4. Disconnect the front-to-rear harness.
5. Unplug both battery harnesses by depressing the tabs and then pulling each harness straight up. See **figure 14**.
6. Remove the batteries from the battery wells.

**NOTE:** If spacers are installed to secure the batteries, remove the spacers for safe keeping until the scooter is reassembled. See **figure 16**.



**WARNING!** Failure to unplug both battery harnesses and the front-to-rear harness prior to separating the front and rear sections could result in permanent damage to the scooter.

### Frame Separation

1. Arrange the front wheel(s) in a straight forward-facing position.
2. Lower the tiller.

**NOTE:** The pivoting tiller is equipped with a mechanism that will lock the front wheels in place when the tiller is completely lowered and secured.



## VI. DISASSEMBLY AND ASSEMBLY

3. Grasp and lift up on the frame release lever. **See figure 23.**
4. Lift the front section up until the frame hooks of the front section separate from the rear section.
5. Slowly separate the two sections.

### ASSEMBLY

1. Position the front and rear sections of your scooter as shown in **figure 23.**
2. Use the frame release lever to lift the front section as you align the frame hooks of the front section with the lower frame tube of the rear section.
3. Once the frame hooks are over the lower frame tube, lower the front section and pivot the rear section simultaneously. This will engage the frame lockup automatically.
4. Raise the tiller.
5. Connect the front-to-rear cable.
6. Reinstall the battery spacers if applicable. **See figure 16.**
7. Reinstall the batteries to the battery wells.
8. Connect both battery harnesses. **See figure 14.**
9. Secure the battery tie-down strap.
10. Reinstall the battery shroud.
11. Reinstall the seat and rotate it into place.

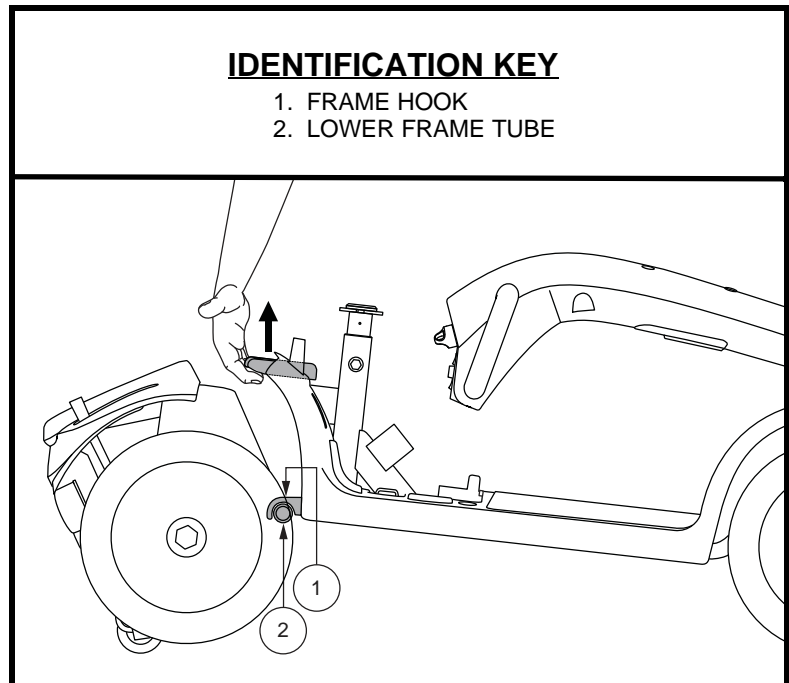


Figure 23. Frame Release Lever

## VII. BASIC TROUBLESHOOTING

Any electromechanical device occasionally requires some troubleshooting. However, most of the problems that may arise can usually be solved with a bit of thought and common sense. Many of these problems occur because the batteries are not fully charged or because the batteries are worn down and can no longer hold a charge.

### DIAGNOSTIC FAULT CODES

The diagnostic beep codes for your scooter are designed to help you perform basic troubleshooting quickly and easily. A diagnostic flash code will flash from the status LED in the event one of the conditions listed below develops. See figure 24 or 25.

**NOTE:** *Your scooter will not run unless the fault code condition is resolved and the scooter has been turned off, then turned back on.*

FAULT CODE	CONDITION	SOLUTION
■ (1)	Battery charge is low.	Charge batteries as soon as possible.
■ ■ (2)	Battery charge is too low.	Charge batteries.
■ ■ ■ (3)	The scooter's battery voltage is too high to operate the scooter, or the charger is still connected to the off-board charger port.	Unplug charger and/or turn key off, then back on again.
■ ■ ■ ■ (4)	Current limit time out.	Turn the scooter off for a few minutes, then turn your scooter back on.
■ ■ ■ ■ ■ (5)	The manual freewheel lever is in the (forward) freewheel position.	Remove the key from the key switch, then push the manual freewheel lever to the drive (rearward) position and restart your scooter.
■ ■ ■ ■ ■ ■ (6)	Throttle control lever not at center position at start up.	Verify that the batteries are fully charged. If the batteries are fully charged, then return the throttle control lever to center position, turn scooter off then back on.
■ ■ ■ ■ ■ ■ ■ (7)	Speed pot error.	Call your authorized Provider for assistance.
■ ■ ■ ■ ■ ■ ■ ■ (8)	Motor volts error.	Call your authorized Provider for assistance.
■ ■ ■ ■ ■ ■ ■ ■ ■ (9)	Other internal errors.	Call your authorized Provider for assistance.

Figure 24. Models with Tiller Console

### What if all the systems on my scooter seem to be dead?

- Make certain that the key is in the “on” position.
- Check that the batteries are fully charged.
- Push in the main circuit breaker reset button. See II. “Your Scooter.”
- Make certain that both battery harnesses and the front-to-rear harness are firmly connected.
- Be sure the power down timer feature has not been activated. See IV. “Operation.”

## VII. BASIC TROUBLESHOOTING

FAULT CODE	CONDITION	SOLUTION	ERROR MESSAGE
1	Batteries need charging	Charge batteries as soon as possible.	N/A
2	Low voltage; batteries need charge immediately	Charge batteries as soon as possible.	Lo BAT
3	Over voltage	Unplug charger and/or turn scooter off, then back on.	Hi BAT
4	Over current	Turn scooter off for a few minutes, then turn scooter back on.	Hi CUR
5	Park brake fault	Remove the key from the key switch, then push the manual freewheel lever to the drive (rearward) position and restart your scooter.	BRAKE
6	Throttle control lever not centered at start up	Return the throttle control lever to center position, turn scooter off, then back on.	T POT
7	Throttle control lever broken or faulted	Contact your authorized Provider.	T POT
8	Motor fault	Contact your authorized Provider.	MOTOR
9	Other fault	Contact your authorized Provider.	OTHER

Figure 25. Models with LCD Control Panel

### What if my scooter does not move when I engage the throttle control lever?

- When the manual freewheel lever is pushed forward, the brakes are disengaged and all power to the motor/transaxle assembly is cut.
- Push rearward on the manual freewheel lever, turn the scooter off, and then turn the scooter on to return to normal scooter operation.

### What if the main circuit breaker repeatedly trips?

- If the main circuit breaker trips repeatedly, see your authorized Provider for service.
- Charge the batteries more frequently. See III. “Batteries and Charging.”
- If the problem continues, have both of your scooter’s batteries load tested by your authorized Provider.
- You may also perform the load test yourself. Battery load testers are available at most automotive parts stores. Follow the directions supplied with the load tester.
- See III. “Batteries and Charging” or the additional “Product Specifications Sheet” for information about your scooter’s battery type.

### What if the battery condition meter dips way down and the motor surges or hesitates when I engage the throttle control lever?

- Fully charge your scooter’s batteries. See III. “Batteries and Charging.”
- Have your authorized Provider load test each battery.
- See the previous troubleshooting question for load testing the batteries yourself.

If you experience any problems with your scooter that you are not able to solve, immediately contact your authorized Provider for information, maintenance, and service.

## VIII. CARE AND MAINTENANCE

Your scooter requires a minimal amount of care and maintenance. If you do not feel confident in your ability to perform the maintenance listed below, you may schedule inspection and maintenance at your authorized Provider. The following areas require periodic inspection and/or care and maintenance.

### TIRE PRESSURE

- If equipped with pneumatic tires, always maintain the psi/bar/kPa air pressure rating indicated on each tire.



**WARNING! It is important that the psi/bar/kPa air pressure rating indicated on each tire be maintained in pneumatic tires at all times. Do not underinflate or overinflate your tires. Low pressure may result in loss of control, and overinflated tires may burst. Failure to maintain the psi/bar/kPa air pressure rating indicated on the tires at all times may result in tire and/or wheel failure.**

- Regularly inspect your scooter's tires for signs of damage or wear.

### EXTERIOR SURFACES

Bumpers, tires, and trim can benefit from an occasional application of a rubber or vinyl conditioner.



**WARNING! Do not use a rubber or vinyl conditioner on the scooter's vinyl seat or tire tread, as this may cause them to become dangerously slippery.**

### CLEANING AND DISINFECTION

- Use a damp cloth and mild, non-abrasive cleanser to clean the plastic and metal parts of your scooter. Avoid using products that may scratch the surface of your scooter.
- If necessary, clean your product with an approved disinfectant. Make sure the disinfectant is safe for use on your product before application.



**WARNING! Follow all safety instructions for the proper use of the disinfectant and/or cleaning agent before applying it to your product. Failure to comply may result in skin irritation or premature deterioration of upholstery and/or scooter finishes.**

### BATTERY TERMINAL CONNECTIONS

- Make certain that the terminal connections remain tight and uncorroded.
- The batteries must sit flat in the battery wells.
- The battery terminals should face away from the seat post.

### WIRING HARNESSES

- Regularly check all wiring connections.
- Regularly check all wiring insulation, including the charger power cord, for wear or damage.
- Have your authorized Provider repair or replace any damaged connector, connection, or insulation that you find before using your scooter again.



**PROHIBITED! Even though the scooter has passed the necessary testing requirements for ingress of liquids, you should keep electrical connections away from sources of dampness, including direct exposure to water or bodily fluids and incontinence. Check electrical components frequently for signs of corrosion and replace as necessary.**



**WARNING! Do not pull on electrical harnesses directly to detach them from the scooter. Always grasp the connector itself when disconnecting the harness to prevent wire damage.**

# VIII. CARE AND MAINTENANCE

## WHEEL REPLACEMENT

If your scooter is equipped with pneumatic tires and you have a flat tire, you can have the tube replaced. Contact your authorized Provider for information regarding replacement wheels for your scooter.

**WARNING! Wheels on your scooter should only be serviced/replaced by a qualified technician.**

**WARNING! Be sure that the key is removed from the key switch and the scooter is not in freewheel mode before performing this procedure.**



**WARNING! When changing a pneumatic tire, remove only the lug nuts, then remove the wheel. If any further disassembly is required, deflate the tire COMPLETELY or it may explode.**

Follow these easy steps for a quick and safe repair for pneumatic tires:

1. Remove the key from the key switch and ensure your scooter is not in freewheel mode.
2. Elevate the side of the scooter of which you are removing the tire. Place wooden blocks under the frame to elevate the scooter.
3. If you are replacing the tube, deflate the tire **completely** before taking it off the hub.
4. Remove the lug nuts from the hub. See **figure 26**.
5. Remove the drive wheel from the axle.
6. Remove the screws and separate the rim halves. See **figure 27**.
7. Remove the old tube from the pneumatic tire and replace it with a new tube.
8. Reassemble the rim halves.
9. Slide the wheel back onto the hub.
10. Reinstall the lug nuts and tighten.



**WARNING! Make sure all the lug nuts are tightened properly.**

11. Inflate pneumatic tires to the psi/bar/kPa air pressure rating indicated on each tire.
12. Remove the blocks from beneath the scooter.

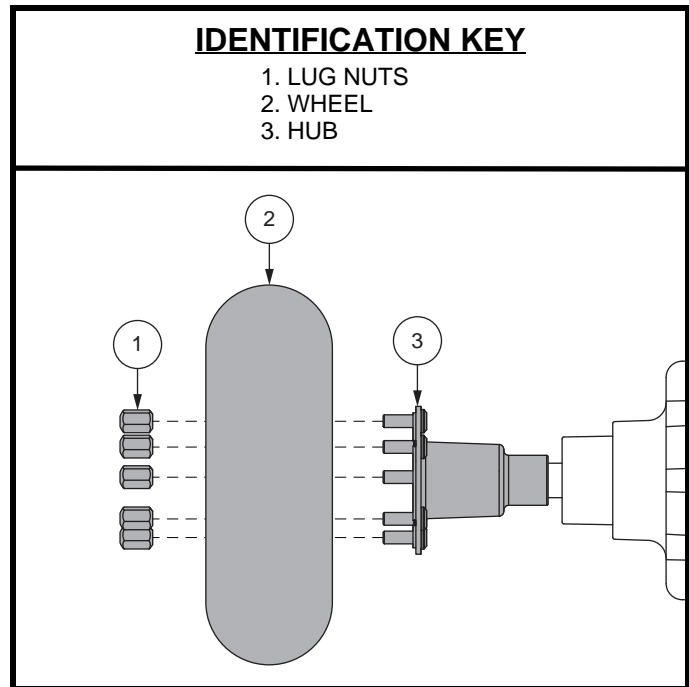


Figure 26. Drive Wheel Removal

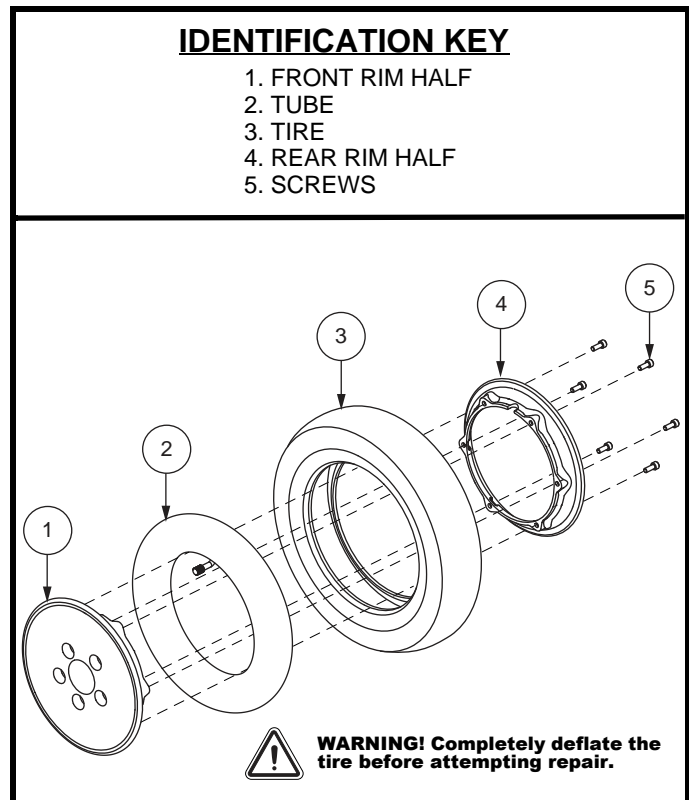


Figure 27. Pneumatic Drive Wheel Disassembly/Assembly

# VII. CARE AND MAINTENANCE

## ABS PLASTIC SHROUDS

- The front tiller shroud, front shroud, and the rear shroud are formed from durable ABS plastic and are coated with an advanced formula urethane paint.
- A light application of car wax will help the shrouds retain their high gloss.

## AXLE BEARINGS AND THE MOTOR/TRANSAXLE ASSEMBLY

These items are all prelubricated, sealed, and require no subsequent lubrication.

## MOTOR BRUSHES

The motor brushes are housed inside of the motor transaxle/assembly. They should be inspected periodically for wear by your authorized Provider.

## CONSOLE, CHARGER, AND REAR ELECTRONICS

- Keep these areas free of moisture.
- Allow these areas to dry thoroughly if they have been exposed to moisture before operating your scooter again.

## BRAKE PADS

The brake pads on your scooter should be inspected periodically for wear. Once the pads reach 2 mm or 1/16-th of an inch in thickness, they should be replaced. If any of the brake pads needs to be replaced, then it is best to replace all the brake pads at the same time. Contact your authorized Provider for more information on replacing the brake pads.

## FUSE REPLACEMENT

**In the event a fuse should cease to work:**

1. Remove the fuse by pulling it out of its slot.
2. Examine the fuse to be sure it is blown. **See figure 28.**
3. Insert a new fuse of the same rating.



**WARNING! The replacement fuse must exactly match the rating of the fuse being replaced. Failure to use properly rated fuses may cause damage to the electrical system.**

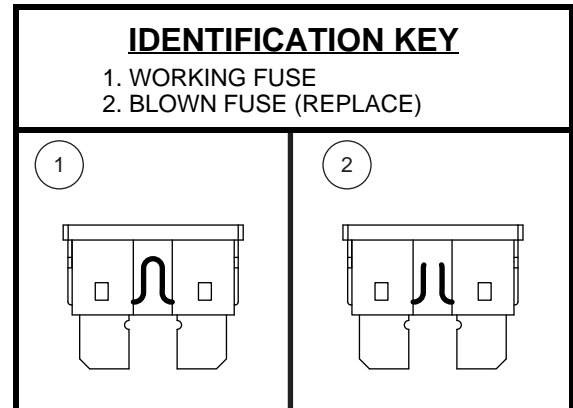


Figure 28. Fuse Replacement

## VIII. CARE AND MAINTENANCE

### NYLON LOCK NUT REPLACEMENT

Any nylon insert lock nut removed during the periodic maintenance, assembly, or disassembly of the scooter must be replaced with a new nut. Nylon insert lock nuts should not be reused as it may cause damage to the nylon insert, resulting in a less secure fit. Replacement nylon insert lock nuts are available at local hardware stores or through your authorized Provider.

### STORING YOUR SCOOTER

If you plan on not using your scooter for an extended period of time, it is best to:

- Fully charge its batteries prior to storage.
- Disconnect the batteries from the scooter.
- Store your scooter in a warm, dry environment.
- Avoid storing your scooter where it will be exposed to temperature extremes.
- Recommended storage temperature: -40°F/-40°C to 149°F/65°C.



**WARNING! Always protect batteries from freezing temperatures and never charge a frozen battery. Charging a frozen battery can result in damage to the battery.**

Batteries that are regularly and deeply discharged, infrequently charged, stored in extreme temperatures, or stored without a full charge may be permanently damaged, causing unreliable performance and limited service life. It is recommended that you charge the scooter batteries periodically throughout periods of prolonged storage to ensure proper performance.

You may wish to place several boards under the frame of your scooter to raise it off of the ground during periods of prolonged storage. This takes the weight off the tires and reduces the possibility of flat spots developing on the areas of the tires contacting the ground.

### DISPOSAL OF YOUR SCOOTER

Your scooter must be disposed of according to applicable local and national statutory regulations. Contact your local waste disposal agency or authorized Pride Provider for information on proper disposal of packaging, metal frame components, plastic components, electronics, batteries, neoprene, silicone, and polyurethane materials.

# NOTES





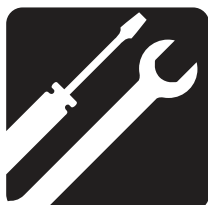
MONTAGE



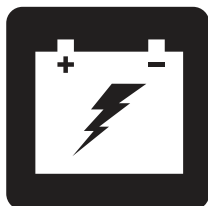
FONCTIONNEMENT



CONFORT



ENTRETIEN



RECHARGE DES BATTERIES




# SERIE DE SCOOTER DE TAILLE PLEIN

## MANUEL DE L'UTILISATEUR

---

# TABLEAU DES CARACTERISTIQUES DU SCOOTER

Modèle	Style de console		Style de châssis (Assemblage/Demontage)		Roulettes antibascule	Les Options*			Disjoncteur principal (catégorie)		
	A	B	Châssis d'une seule pièce	Châssis de 2 pièces	Inclus	Commutateur Hi-Lo	Levier de frein à main	Mât suspension du siège	Bouton du disjoncteur principal	Levier du disjoncteur	Réinitialisation automatique
											
613	•	•		•	•	•	•	•	•		
614	•	•	•		•	•				•	•
713	•	•		•	•	•	•	•	•		
714	•	•	•			•	•			•	•

*\*NOTE: Les options du Scooter varient par pays. Veuillez contacter votre fournisseur pour déterminer quelles options sont disponibles pour votre Scooter.*

*NOTE: Veuillez-vous familiariser avec le numéro du modèle de votre Scooter. Le numéro peut être trouvé sur la feuille de spécifications du produit dans le paquet du propriétaire. Tout au long de ce manuel, les attributs du scooter sont identifiés par le numéro du modèle (colonne à l'extrême gauche du tableau des caractéristiques du Scooter). Sachant que le numéro du modèle de votre appareil vous aidera à déterminer les caractéristiques uniques de votre Scooter.*

## UTILISATION PRÉVUE

L'utilisation prévue des produits est d'offrir la mobilité à des personnes limitées à une position assise, qui ont la capacité de faire fonctionner un scooter.

## CONCERNANT L'UTILISATION D'APPAREILS FOURNIS SUR ORDONNANCE



**ATTENTION! En vertu de la loi fédérale cet appareil ne peut être vendu que par un médecin ou sur prescription médicale ou par d'autres personnes certifiées autorisées par la loi de l'État (États-Unis uniquement) ou de la région dans laquelle ces personnes sont spécialisées dans l'utilisation ou peuvent prescrire l'utilisation de cet appareil.**

*NOTE: Ce manuel a été préparé à partir des spécifications et informations disponibles au moment de sa publication. Nous réservons le droit d'apporter des changements lorsque il est nécessaire. Certains changements peuvent causer de légères variations entre les illustrations, les explications de ce manuel et l'appareil que vous avez acheté. La dernière version de ce manuel est sur notre site Internet.*

*NOTE: Ce produit répond aux exigences et respecte les directives des normes WEEE, RoHS et REACH.*

*NOTE: Ce produit conforme à la classification IPX4 (IEC 60529).*

*NOTE: Le Scooter et ses composants ne sont pas fabriqués avec du latex de caoutchouc naturel. Consultez le fabricant en ce qui concerne les accessoires après-vente.*



# TABLE DES MATIERES

<b>CONSIGNES DE SECURITE</b> .....	43
<b>I. SECURITE</b> .....	44
<b>II. VOTRE SCOOTER</b> .....	47
<b>III. BATTERIES ET RECHARGE</b> .....	59
<b>IV. FONCTIONNEMENT</b> .....	66
<b>V. REGLAGES CONFORT</b> .....	68
<b>VI. MONTAGE ET DEMONTAGE</b> .....	72
<b>VII. PROBLEMES ET SOLUTIONS</b> .....	74
<b>VIII.SOINS ET ENTRETIEN</b> .....	76

## CONSIGNES DE SECURITE



**MISE EN GARDE!** Votre détaillant autorisé ou un technicien qualifié doit faire le montage initial de ce scooter et suivre toutes les procédures énumérées dans ce manuel.

Les symboles suivants sont utilisés tout au long de ce manuel pour identifier les mises en garde et moments d'attention particulière. Il est important de les comprendre et de les suivre à la lettre.



**MISE EN GARDE!** Indique une condition/situation potentiellement dangereuse. Vous devez respecter les consignes sous peine de vous blesser, de causer des dommages ou un mauvais fonctionnement. Ce pictogramme apposé sur le produit est de couleur noire sur un triangle jaune avec bordure noire.



**OBLIGATOIRE!** Ces actions doivent être exécutées selon les consignes sous peine de vous blesser, et/ou d'endommager l'appareil. Ce pictogramme apposé sur le produit est de couleur blanche avec un point bleu et bordure blanche.



**INTERDIT!** Ces actions sont interdites. Vous ne devez sous aucune considération, entreprendre ces actions. Ces actions peuvent entraîner des blessures et/ou dommages à votre équipement. Ce pictogramme apposé sur le produit est de couleur noire avec un rond rouge et barre rouge.

# I. SECURITE

## PICTOGRAMME DE SECURITE

Les pictogrammes ci-dessous sont utilisés sur le scooter pour indiquer les actions obligatoires, mises en garde et actions prohibées. Il est très important de les lire et de bien les comprendre.

*NOTE: Vous trouverez davantage d'avertissements identifiés et expliqués dans le guide de la sécurité du consommateur inclus avec votre scooter. Veuillez-vous familiariser avec tous les avertissements et les consignes de sécurité contenus dans le guide de la sécurité du consommateur et référez-vous souvent à cette ressource.*



**Lisez et respectez les consignes et informations contenues dans ce manuel.**



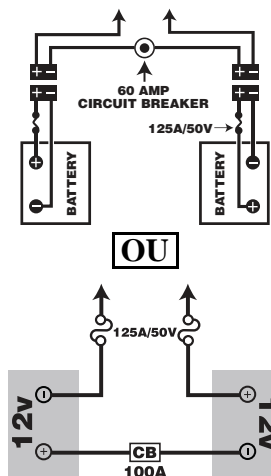
**Fabriqué en.**



**Identifie les points d'ancrage.**



**Plaques des information.**



**Configuration des batteries:**

**+ = Borne positive (Rouge)**

**- = Borne négative (Noir)**

**Branchez le fil rouge à la borne positive (+).**

**Branchez le fil noir à la borne négative (-).**

# I. SECURITE

## CONSIGNES DE SECURITE GENERALES



**MISE EN GARDE! Ne prenez pas votre scooter pour la première fois sans avoir lu et compris les instructions et consignes de sécurité contenues dans ce manuel et le Guide de sécurité du consommateur.**

Votre scooter est un appareil dernier cri d'aide à la mobilité dans la vie quotidienne. Nous construis toute une collection de scooters afin de satisfaire les besoins de chacun. Prenez note que le choix final et la décision d'achat sont la responsabilité de l'utilisateur et du/des professionnels de la santé tels que le médecin, l'ergothérapeute etc.

Dans ce manuel, il est pris pour acquis que le scooter a été réglé par un expert en mobilité, que celui-ci a également conseillé le professionnel de la santé au sujet de l'utilisation de ce produit.

Dans certaines situations, (conditions médicales) l'utilisateur du scooter aura besoin d'aide pour acquérir l'habileté nécessaire à la conduite de son appareil. Le moniteur peut être un membre de la famille ou un professionnel de la santé qui aura reçu une formation sur l'utilisation d'un véhicule motorisé personnel comme aide à la vie quotidienne.

Lorsque vous commencerez à utiliser votre scooter, vous serez confronté à des situations qui demandent une certaine habileté. Prenez alors votre temps et procédez lentement, vous développerez de la facilité pour manoeuvrer dans les ascenseurs, ouvrir les portes, négocier les rampes d'accès et pour rouler sur des surfaces modérément difficiles.

Des informations générales complémentaires peuvent être trouvées sur les fiches et les livrets d'information supplémentaires incluses dans le paquet du propriétaire. Veuillez lire et revoir l'information entièrement, et gardez-la à portée de la main pour future référence.

Vous trouverez ci-dessous des conseils, consignes et mises en garde qui vous seront utiles afin de vous acclimater à la conduite sécuritaire du scooter.

### AVANT DE PRENDRE LA ROUTE

Apprenez à connaître les capacités et limites de votre scooter. Faites les vérifications requises avant chaque sortie pour vous assurer d'un fonctionnement sans problème et sécuritaire.

#### Inspectez les points suivants avant de prendre la route:

- Vérifiez la pression dans les pneus. Assurez-vous qu'ils ne sont pas endommagés ou excessivement usés.
- Inspectez les connexions électriques. Vérifiez qu'il n'y a pas de rouille et qu'elles soient bien serrées.
- Vérifiez le câble et les fils. Assurez-vous qu'elles soient branchées de façon sécuritaire.
- Vérifiez les freins afin de s'assurer qu'ils fonctionnent correctement.
- Vérifiez le compteur d'état de la batterie pour s'assurer que les batteries sont complètement chargées.
- Assurez-vous que la manette de déblocage manuelle est en mode d'entraînement avant de s'asseoir sur le scooter.

Si vous découvrez un problème, contactez votre détaillant autorisé pour obtenir de l'aide. Référez-vous aux informations de contact qui sont incluses dans votre paquet du propriétaire.

# I. SECURITE

## INFORMATIONS SUR LE FREINAGE

Votre scooter est équipé de puissants systèmes de freins:

- Régénératif: Utilise de l'électricité pour freiner le scooter rapidement lorsque vous relâchez l'accélérateur.
- Frein de stationnement à disque: S'active mécaniquement dès que le frein régénératif a ralenti le scooter et presque arrêté, ou lorsque le contact est coupé pour quelque motif que ce soit.
- (Optional) Frein manuel: Vous donne de la puissance de freinage supplémentaire lorsque vous le compressez Voir la section II. "Votre Scooter."

## LEVIER DE FREIN A MAIN (FACULTATIF - MODÈLES 613, 713 ET 714 )

Le levier de frein à main contient du liquide hydraulique. Lorsqu'une pression est appliquée sur le levier, le liquide est poussé dans la tubulure pour actionner les coussins de frein vers le disque. Le module de levier à frein est entièrement scellé et le liquide hydraulique ne devrait pas fuir. Cependant, vous devez respecter les consignes de sécurité suivantes si le module venait à se fendiller ou être endommagé.

- Ne touchez pas au liquide sans avoir d'abord mis des gants de protection et des lunettes de sécurité.
- Pour de petites fuites, recouvrez le liquide avec du sable, de la terre sèche ou tout autre matériel non combustible. Lorsque le liquide est absorbé, placez le matériel dans un sac de plastique et contactez votre organisme pour connaître les règlements sur la mise au rebut. Ne jetez pas le matériel dans un cours d'eau ou dans les égouts.
- En cas de contact avec les yeux, retirez les lentilles cornéennes, rincez doucement à l'eau fraîche en soulevant occasionnellement les paupières. Si des larmoiements, des rougeurs ou de la douleur persistent, contactez un médecin.
- Si vous êtes éclaboussé, retirez tous les vêtements souillés. Asséchez la peau et lavez-la avec de l'eau et du savon. Voyez un médecin si la peau semble endommagée ou si une irritation devient persistante. Lavez à fond les vêtements souillés et mettez au rebut les vêtements en cuir souillé.
- En cas d'ingestion, ne tentez pas de provoquer un vomissement et ne buvez pas de liquide sauf sur avis d'un médecin. Ne tentez jamais de donner un élément par la bouche à une personne qui n'est pas entièrement consciente. Demandez de l'aide médicale immédiatement.
- En cas d'exposition à la vapeur, déplacez la personne affectée vers un endroit où l'air est frais. Si la personne ne respire plus, donnez-lui immédiatement la respiration artificielle. Si la personne respire difficilement, celle-ci doit recevoir d'un technicien qualifié de l'oxygène à 100% humidifié. Demandez de l'aide médicale immédiatement et gardez la personne affectée au chaud et au repos.
- En cas d'incendie, utilisez un extincteur à la poudre sèche, à la mousse, au dioxyde de carbone ou de la brume d'eau pour l'éteindre.

**MISE EN GARDE! Ne modifiez pas et ne tentez pas de remplacer le liquide hydraulique. En cas de dommages, respectez les consignes de sécurité énoncées dans cette section et contactez votre détaillant autorisé pour faire remplacer le frein à main. Le module hydraulique de frein à main ne devrait être remplacé ou réparé que par votre détaillant autorisé.**



**MISE EN GARDE! Le module de frein à main contient du liquide hydraulique pouvant causer une légère irritation de la peau, du nez, des bronches et des yeux. Ne tentez pas de régler ou de réparer le module hydraulique sans avoir d'abord mis des gants et des lunettes de protection. Lavez vos mains après avoir manipulé le module.**

## II. VOTRE SCOOTER

### TABLEAU DE BORD

Le tableau de la console regroupe toutes les commandes servant au fonctionnement de votre scooter, incluant le bouton de réglage de vitesse, la clé de contact, la jauge à batteries, klaxon, bouton des clignotants, commutateurs des accessoires et le levier d'accélérateur. S.V.P. prenez note que certaines caractéristiques sont facultatives et peuvent ne pas se retrouver sur votre scooter. **Voir la figure 1.**

**NOTE:** Si votre scooter est équipé d'un panneau de commande LCD, veuillez passer à la page de cette section qui commence **TABLEAU DE BORD: PANNEAU DE COMMANDE LCD.**



**INTERDIT! N'exposez pas le tableau de bord à l'humidité. Si le tableau venait à être mouillé, ne tentez pas d'utiliser votre scooter avant que le tableau ait été asséché à fond.**

### CLE D'IDENTIFICATION

- |                                  |                                    |
|----------------------------------|------------------------------------|
| 1. KLAXON                        | 8. BOUTON DE REGLAGE DE LA VITESSE |
| 2. *CLIGNOTANT (GAUCHE)          | 9. JAUGE A BATTERIES               |
| 3. *BOUTON FEUX D'URGENCE        | 10. CLE DE CONTACT                 |
| 4. COMMUTATEUR DES FEUX ET PHARE | 11. MIROIR ET PRISES POUR MIROIR   |
| 5. *CLIGNOTANT (DROIT)           | 12. LEVIER DE RÉGLAGE DU GUIDON    |
| 6. *COMMUTATEUR HI-LO            | 13. *LOQUET DE BLOCAGE             |
| 7. LEVIER D'ACCELERATEUR         | 14. VERROUILLAGE DU FREIN          |

\*OPTIONS FACULTATIVES DISPONIBLE SUR CERTAIN MODÈLES

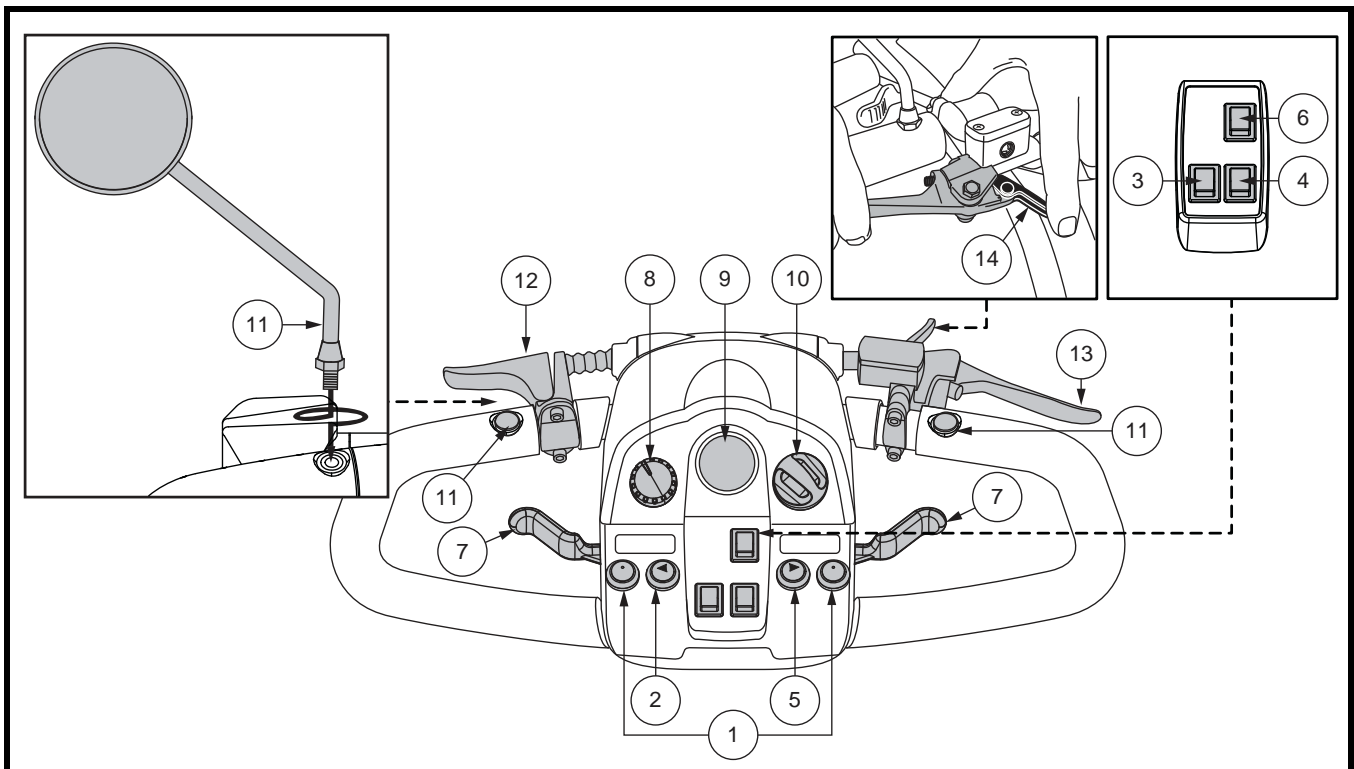


Figure 1. Tableau de bord A

## II. VOTRE SCOOTER

### Klaxon

Pesez sur le bouton pour klaxonner. Assurez-vous que la clé est sur le contact et que le scooter est allumé. N'hésitez pas à klaxonner si vous croyez pouvoir éviter un accident.

### Boutons des clignotants ◀▶

Utilisez ces boutons pour allumer ou éteindre les clignotants gauche ou droit (couleur ambre).

- Pesez sur le bouton gauche pour allumer le clignotant gauche. Le voyant lumineux du clignotant de la jauge à batteries clignotera.
- Pesez sur le bouton droit pour allumer le clignotant droit. Le voyant lumineux du clignotant de la jauge à batteries clignotera.
- Les clignotants s'arrêtent automatiquement après un moment.

### Commutateur des feux et du phare

Pour le fonctionnement des feux et du phare.

- Basculez le bouton vers l'avant pour allumer les feux.
- Basculez le bouton vers l'arrière pour éteindre les feux.



**MISE EN GARDE! Vous devez allumer les feux (jour et nuit) lorsque la visibilité est mauvaise.**

### Bouton des feux d'urgence

Ce bouton commande les feux d'urgence de votre scooter.

- Basculez le bouton vers l'avant pour allumer les feux.
- Basculez le bouton vers l'arrière pour éteindre les feux.

### Commutateur Hi-Lo

Pour changer la vitesse maximale du scooter entre les réglages Hi/Lo. Basculer l'interrupteur vers l'avant sur (Hi) pour atteindre la vitesse maximum préprogrammée pour le scooter. Basculer l'interrupteur vers l'arrière (Low) pour atteindre la moitié de la vitesse maximum programmée pour le scooter.

### Leviers d'accélérateur

Ces leviers commandent la marche avant ou arrière du scooter selon la vitesse maximale déterminée par le bouton de réglage de la vitesse.

#### Pour rouler vers l'avant choisissez l'une ou l'autre de ces méthodes:

- Utilisez votre pouce gauche pour appuyer sur le levier gauche et avancer.
- Utilisez vos doigts de la main droite pour tirer sur le levier droit et avancer.

#### Pour rouler vers l'arrière choisissez l'une ou l'autre de ces méthodes:

- Utilisez votre pouce droit pour appuyer sur le levier droit et reculer.
- Utilisez vos doigts de la main gauche pour tirer sur le levier gauche et reculer.

Relâchez le levier complètement afin que le scooter s'immobilise complètement avant d'engager le levier opposé et changer de sens de roulement. Le levier retourne de lui-même au centre pour stopper le scooter afin que les freins s'engagent automatiquement.

### Bouton de réglage de la vitesse maximale

Ce bouton vous permet de présélectionner la vitesse maximale désirée.

- L'image de la **tortue** représente la vitesse minimale.
- L'image du **lièvre** représente la vitesse maximale.



## II. VOTRE SCOOTER

### Jauge a batteries

Lorsque la clé est enfoncée et tournée dans le sens des aiguilles d'une montre pour mettre sous tension votre scooter, la jauge indique le voltage approximatif des batteries. Pour de plus amples informations sur la recharge des batteries, voir la section III. "Batteries et recharge".

### Voyant d'état

Celui-ci vous alerte en cas de problèmes électrique. Le voyant demeure constamment allumé lorsque le scooter est en marche. Si un problème électrique survient, le voyant clignotera selon un code établi afin de vous avertir et vous informer sur la nature du problème. Voir la section VII. "Problèmes et solutions" pour les codes.

### Clé de contact

- Insérez la clé dans le contact et tournez-la dans le sens horaire pour allumer votre scooter.
- Tournez la clé dans les sens opposé pour couper le contact de votre scooter.



**MISE EN GARDE! Si le contact est coupé alors que le scooter est en mouvement, les freins électroniques s'engageront et stopperont le scooter abruptement!**

### Positionnement et réglage du miroir

Pour plus d'informations sur le positionnement et le réglage de votre miroir, voir section V. "Réglages confort".

### Reglage de l'inclinaison du guidon

Pour plus d'informations sur le positionnement et le réglage de votre guidon, voir section V. "Réglages confort".

### Levier de frein à main

Ce levier vous procure de la puissance de freinage pour les arrêts d'urgence. Lorsque vous roulez, relâchez l'accélérateur et comprimez doucement le levier de frein à main afin de arrêter le scooter.

Le frein à main peut être un frein de stationnement en comprimant complètement le levier et en plaçant le loquet de blocage en position verrouillée. **Voir la figure 1.** Pour relâcher le frein de stationnement, comprimez le levier à fond.



**MISE EN GARDE! Le frein à main a été conçu pour les freinages d'urgence et pour le stationnement seulement.**

### Réceptacle du chargeur externe

Pour charger les batteries, le cordon du chargeur doit être branché dans ce réceptacle. Le réceptacle est situé sur le guidon. **Voir la figure 2.**

### Fusibles du système électrique

Votre scooter est équipé d'une série de fusibles électriques qui protègent le système de recharge externe, le circuit du contact, les éclairages contre une surcharge de courant électrique. Ces fusibles sont de même type que ceux utilisés dans les automobiles et sont situées dans un compartiment sur le guidon. **Voir la figure 2.**

**NOTE: Gardez les espaces électriques bien au sec et libres de saletés.**

### CLE D'IDENTIFICATION

1. RECEPTACLE DU CHARGEUR EXTERNE
2. FUSIBLE: CHARGEUR EXTERNE
3. FUSIBLE: CLE DE CONTACT
4. FUSIBLE: PHARE INFERIEUR
5. FUSIBLE: FEUX ARRIERES
6. FUSIBLE: CLIGNOTANT (GAUCHE)
7. FUSIBLE: CLIGNOTANT (DROIT)

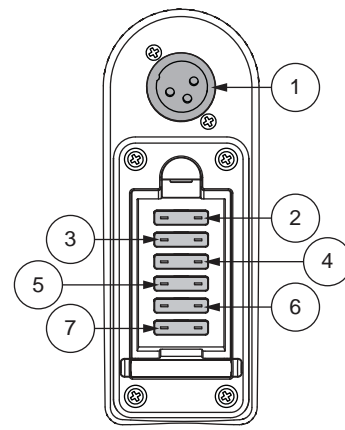


Figure 2. Réceptacle du chargeur externe/ Fusibles de la console du guidon

## II. VOTRE SCOOTER

### TABLEAU DE BORD: PANNEAU DE COMMANDE LCD

Le tableau de bord et le guidon inférieur comprennent toutes les commandes nécessaires pour conduire votre scooter, y compris le panneau de commande LCD, les leviers d'accélérateur, la clé de contact et le commutateur du levier d'accélérateur. **Voir la figure 3.**



**INTERDIT! N'exposez pas le tableau de bord à l'humidité. Si le tableau venait à être mouillé, ne tentez pas d'utiliser votre scooter avant que le tableau ait été asséché à fond.**

#### Klaxon

Pesez sur le bouton pour klaxonner. Assurez-vous que la clé est sur le contact et que le scooter est allumé. N'hésitez pas à klaxonner si vous croyez pouvoir éviter un accident.

#### Boutons des clignotants

- Appuyer une fois sur le bouton approprié pour allumer le clignotant. Le clignotant clignote sur l'écran LCD.
- Appuyer sur le même bouton pour l'éteindre.

*NOTE: Les clignotants sont programmés pour s'éteindre après 15 secondes. Un bip retentit aussi longtemps que les clignotants sont activés. Voir la figure 5 pour le contrôle du volume.*

#### Boutons des feux

- Appuyer une fois sur le bouton des feux pour activer le système d'éclairage. Le symbole " feux " s'affiche sur l'écran LCD.
- Appuyer de nouveau sur le bouton pour éteindre le système d'éclairage.



**MISE EN GARDE! Vous devez allumer les feux (jour et nuit) lorsque la visibilité est mauvaise.**

#### Écran LCD et les paramètres du panneau de commande

Le panneau de commande LCD vous donne des informations intuitives via l'écran LCD. **Voir la figure 3.** L'écran LCD est également utilisé lors de la configuration initiale (activation) des différents paramètres du panneau de commande.

#### CLE D'IDENTIFICATION

1. KLAXON
2. BOUTONS DES CLIGNOTANTS
3. BOUTON DES FEUX
4. ÉCRAN LCD
5. BOUTON SET (RÉGLAGE)
6. BOUTON DES FEUX D'URGENCE
7. BOUTON MODE
8. COMMUTATEUR HI-LO
9. RÉGLAGE DE LA VITESSE (AUGMENTER)
10. RÉGLAGE DE LA VITESSE (DIMINUER)
11. LEVIERS D'ACCELERATEUR

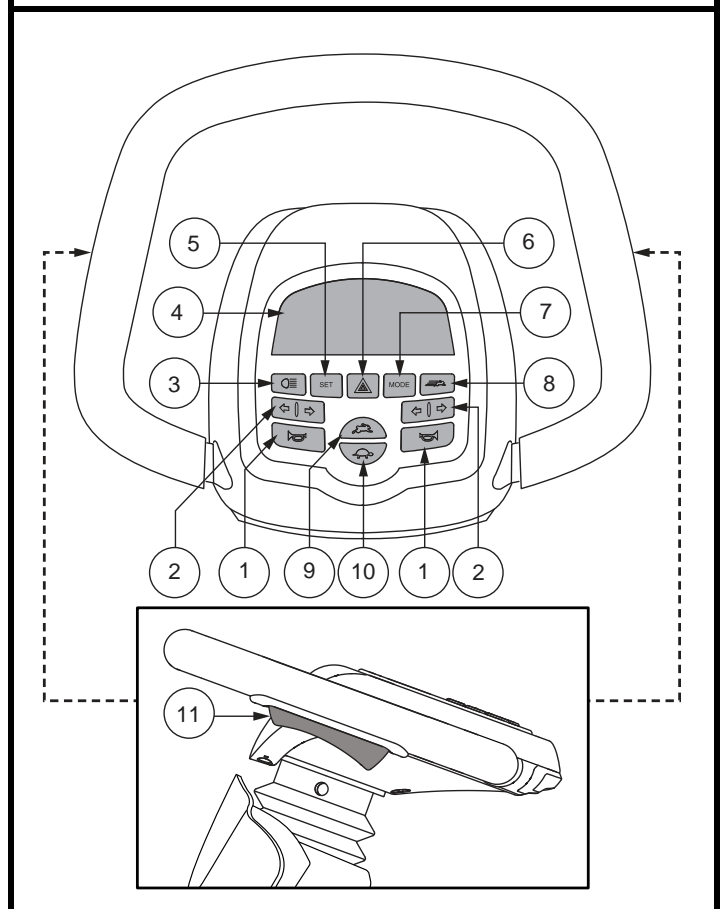


Figure 3. Panneau de commande LCD Control - Style B

## II. VOTRE SCOOTER

### Bouton des feux d'urgence

Ce bouton active les feux d'urgence jaunes sur votre scooter.

- Appuyer une fois sur le bouton pour activer les feux d'urgence.
- Appuyer de nouveau sur le bouton pour désactiver les feux d'urgence.

**NOTE:** Les feux d'urgence clignotent et un bip sonore retentit tant que les feux d'urgence sont activés. Voir la figure 5 pour le contrôle du volume.

### Bouton de Mode

Utiliser le bouton de mode pour défiler entre l'odomètre, le totaliseur, la température et l'horloge.

### Commutateur Hi-Lo

Pour changer la vitesse maximale du scooter entre les réglages HIGH et LOW.

- Appuyer une fois sur le bouton Hi-Lo pour fixer le réglage de la vitesse à Hi. L'indicateur Hi-Lo s'affiche sur l'écran LCD. **Voir la figure 4.** L'utilisation de ce paramètre en conjonction avec les boutons de réglage de la vitesse permet au scooter d'atteindre des vitesses jusqu'à la vitesse maximale préprogrammée pour le scooter.
- Appuyer de nouveau sur le bouton Hi-Lo pour fixer le réglage de la vitesse à Lo. L'indicateur Hi-Lo ne s'affiche pas sur l'écran LCD. L'utilisation de ce paramètre en conjonction avec les boutons de réglage de la vitesse permet au scooter d'atteindre des vitesses jusqu'à la moitié de la vitesse maximale préprogrammée pour le scooter.

### Boutons de réglage de la vitesse

Ces boutons de réglage permettent de présélectionner et de limiter la vitesse de votre scooter. Ceci est indiqué par l'indicateur de vitesse maximum sur l'écran LCD. **Voir la figure 4.**

- Appuyer sur l'image de la **tortue** pour diminuer la vitesse du scooter.
- Appuyer sur l'image du **lièvre** pour augmenter la vitesse du scooter.

**NOTE:** Plus de barres sont affichées sur l'indicateur de vitesse maximum, plus votre vitesse maximum présélectionnée sera élevée. Voir la figure 4.

### Leviers d'accélérateur

Ces leviers vous permettent de contrôler la vitesse avant et arrière de votre scooter jusqu'à la vitesse maximum déterminée par les boutons de réglage de la vitesse. Un levier d'accélérateur se trouve sur la partie inférieure des côtés gauche et droit du guidon. **Voir la figure 3.**

#### Pour la marche avant sélectionner:

- Presser la partie arrière du levier d'accélérateur.

#### Pour la marche arrière sélectionner:

- Presser la partie avant du levier d'accélérateur.

Relâchez le levier complètement afin que le scooter s'immobilise complètement avant d'engager le levier opposé et changer de sens de roulement. Le levier retourne de lui-même au centre pour stopper le scooter afin que les freins s'engagent automatiquement.

## II. VOTRE SCOOTER

### ECRAN LCD ET PARAMETRES DU PANNEAU DE COMMANDE

Le panneau de commande LCD donne des informations intuitives via l'écran LCD. Voir la figure 4. L'écran LCD est également utilisé lors de la configuration initiale (activation) des différents paramètres du panneau de commande. Voir le tableau 1.

#### CLE D'IDENTIFICATION

- |                                  |  |
|----------------------------------|--|
| 1. JAUGE DE LA BATTERIE          | 8. AM/PM                               |
| 2. INDICATEUR DES FEUX           | 9. HORLOGE                             |
| 3. VITESSE/CODE ERREUR/VOLUME    | 10. TEMPERATURE                        |
| 4. INDICATEUR HI-LOW             | 11. DISTANCE/HEURE/TEMP/MESSAGE ERREUR |
| 5. INDICATEUR D'UNITE            | 12. TOTALISEUR                         |
| 6. INDICATEUR MAXIMUM DE VITESSE | 13. ODOMETRE                           |
| 7. CLIGNOTANT DROIT              | 14. CLIGNOTANT GAUCHE                  |

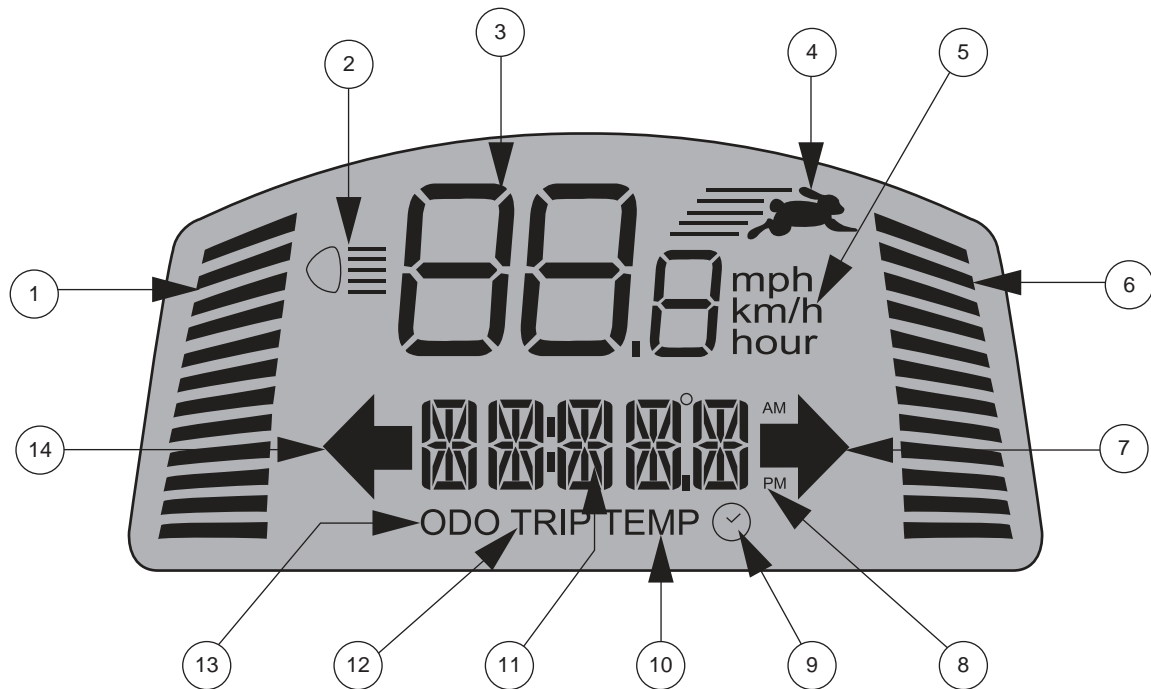


Figure 4. Ecran LCD

## II. VOTRE SCOOTER


TABLEAU DE CONFIGURATION DES PARAMETRES		
PARAMETRES	CODE	INFORMATION
Odometre	<b>ODO</b>	Mesure mph, km/h, et les heures d'utilisation. Affiche également la distance totale parcourue pour toute la durée de vie du scooter. (Ne peut pas être remise à zéro)
Totaliseur	<b>TRIP</b>	Affiche la distance du trajet parcouru. (Peut être remise à zéro)
Température	<b>TEMP</b>	Affiche la température actuelle en °C ou °F
Horloge		Affiche l'heure au format 12 heures (AM/PM) ou 24 heures

Tableau 1. Informations sur le Panneau de Commande LCD

Appuyer sur **MODE** jusqu'à ce que le paramètre que vous voulez modifier s'affiche sur l'écran LCD. Appuyer et maintenir **SET** puis suivre les étapes correspondant à votre réglage dans le **tableau 2**.


	<b>ODO</b>	<b>TRIP</b>	<b>TEMP</b>	
<b>FONCTIONNEMENT</b>	Appuyer sur le bouton <b>MODE</b> jusqu'à ce que l'option <b>ODO</b> apparaisse.	Appuyer sur le bouton <b>MODE</b> jusqu'à ce que l'option <b>TRIP</b> apparaisse.	Appuyer sur le bouton <b>MODE</b> jusqu'à ce que l'option <b>TEMP</b> apparaisse.	Appuyer et maintenir le bouton <b>MODE</b> jusqu'à ce que le symbole horloge apparaisse sur l'écran.
<b>SÉLECTION</b>	Appuyer et maintenir <b>SET</b> , puis simultanément appuyer sur le bouton <b>MODE</b> jusqu'à ce que l'option de réglage commence à clignoter. Faites défiler les options en appuyant sur le bouton <b>SET</b> .	Appuyer et maintenir <b>SET</b> , puis simultanément appuyer sur le bouton <b>MODE</b> pour 2 secondes puis relâcher. Appuyer et maintenir <b>SET</b> jusqu'à ce que le totaliseur partiel se réinitialise à 0.0.	Appuyer et maintenir <b>SET</b> , puis simultanément appuyer sur le bouton <b>MODE</b> jusqu'à ce que l'option de réglage commence à clignoter. Faire défiler les options (°C ou °F) en appuyant sur les boutons <b>SET</b> .	Appuyer et maintenir <b>SET</b> , puis simultanément appuyer sur le bouton <b>MODE</b> jusqu'à ce que le chiffre de l'heure commence à clignoter. Utiliser le bouton <b>SET</b> pour régler l'heure à l'heure correcte. Continuer à utiliser les boutons <b>MODE</b> et <b>SET</b> pour programmer les minutes et AM / PM.
<b>QUITTER</b>	Pour quitter, lorsque l'option souhaitée commence à clignoter, appuyer sur n'importe quel bouton à l'exception de <b>SET</b> .	Pour quitter, appuyer sur n'importe quel bouton à l'exception de <b>SET</b> .	Pour quitter, lorsque l'option souhaitée commence à clignoter, appuyer sur n'importe quelle touche à l'exception de <b>SET</b> .	Pour quitter, appuyer sur n'importe quel bouton à l'exception de <b>MODE</b> et <b>SET</b> .

Tableau 2. Informations sur le Panneau de Commande LCD

### Mode de charge de la batterie

Au cours de la recharge de la batterie, la console affiche l'horloge et la jauge de la batterie.

## II. VOTRE SCOOTER

### Indicateur de l'état de la batterie

Lorsque la clé est tournée à la position " ON ", cet indicateur LCD donne une lecture approximative de l'autonomie de la batterie. Lorsque la tension de la batterie du scooter atteint un niveau faible, un bip d'avertissement retentit une fois, indiquant que la batterie doit être rechargée. Le bip d'avertissement ne retentira pas à nouveau jusqu'à ce que le scooter soit redémarré ou le levier de commande de l'accélérateur soit enfoncé.

### Indicateur LCD de vitesse maximum

L'indicateur de vitesse maximum affiche la vitesse maximum sélectionnée avec les boutons de réglage de vitesse. Plus de barres sont affichées à l'indicateur et plus votre vitesse est élevée. La vitesse maximum du scooter sera déterminée par le paramètre HI-LO, ce qui limite la vitesse maximum à la moitié lorsqu'il est réglé sur LO. La vitesse de déplacement réelle sera affichée sur l'affichage de la vitesse sur l'écran LCD.

### Contrôle du volume

Le volume des clignotants d'urgence, klaxon, bip de basse tension de la batterie, clignotants, et des bips des messages d'erreur peut être augmenté, diminué ou désactivé séparément. **Voir la figure 5.**

#### Pour régler le volume:

1. S'assurer que la clé de contact est à la position "OFF ".
2. Appuyer sur les deux boutons appropriés simultanément (**voir le tableau 3**), et tourner la clé à la position "ON".
3. Une fois que l'écran de contrôle du volume apparaît, relâcher les boutons.
4. Appuyer sur le bouton "lapin" pour augmenter le volume et sur le bouton "tortue" pour diminuer le volume du *bip* (0 indique désactivé et 4 indique le volume maximum).
5. Pour quitter, appuyer sur n'importe quel bouton sauf le **lièvre** ou la **tortue**.

**NOTE:** La langue du message d'erreur peut être réglée de la même manière que le volume.

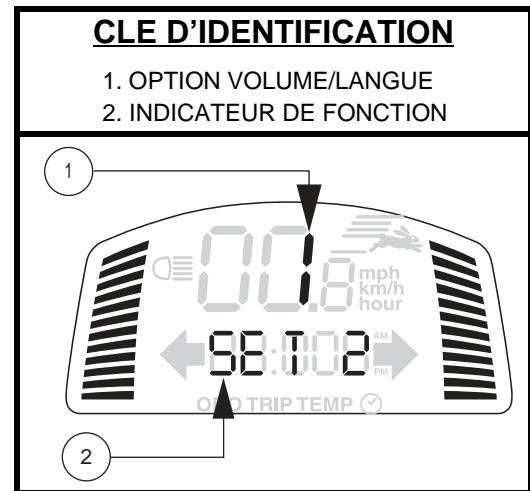


Figure 5. Contrôle du volume

FONCTION	BOUTONS	INDICATEUR DE FONCTION
Boutons des feux d'urgence	SET + BOUTONS DES FEUX D'URGENCE	SET 1
Klaxon	SET + KLAXON	SET 2
Basse tension	SET + LE BOUTON GAUCHE	SET 3
Boutons des clignotants	SET + LE BOUTON DROIT	SET 4
Option de langue pour message d'erreur	SET + COMMUTATEUR DES FEUX	SET 5 6 - Espagnol 5 - Italien 4 - Français 3 - Allemand 2 - Pays-Bas 1 - Anglais 0 - Fermer

Tableau 3. Informations de Contrôle du volume

## II. VOTRE SCOOTER

### GUIDON INFÉRIEUR (disponible sur les modèles 614 et 714 uniquement)

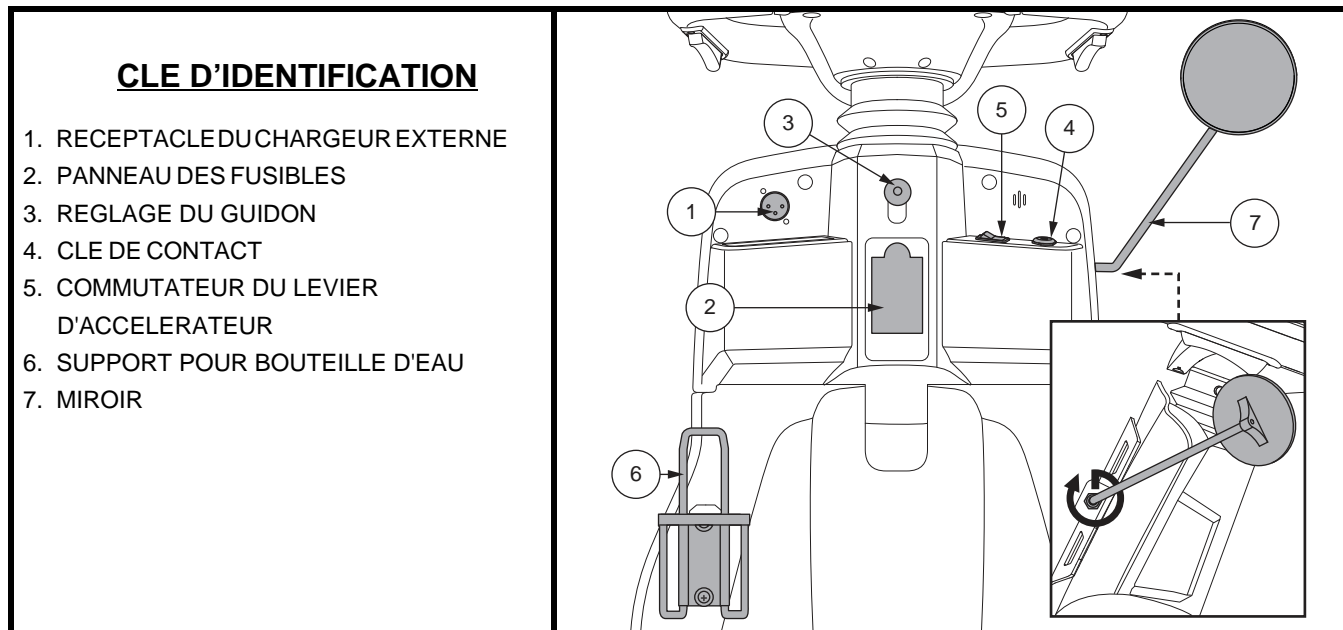


Figure 6. Composants du guidon inférieur

#### Réceptacle du chargeur externe

Pour charger les batteries, le cordon du chargeur doit être branché dans ce réceptacle. Le réceptacle est situé sur le guidon. **Voir la figure 6.**

#### Fusibles du système électrique

Pour plus d'informations et une description complète du système de fusibles, **voir la figure 2.**

#### Levier réglage du guidon ou Réglage du guidon

Voir section V. "Réglages confort".

#### Clé de contact

- Insérez la clé dans le contact et tournez-la dans le sens horaire pour allumer votre scooter. **Voir la figure 6.**
- Tournez la clé dans les sens opposés pour couper le contact de votre scooter.



**MISE EN GARDE! Si le contact est coupé alors que le scooter est en mouvement, les freins électroniques s'engageront et stopperont le scooter abruptement!**

#### Commutateur des leviers d'accélérateur

Ce commutateur permet de sélectionner le levier d'accélérateur (gauche ou droit). **Voir la figure 6.**

- Basculer le commutateur vers la gauche pour activer le levier d'accélérateur gauche.
- Basculer le commutateur vers la droite pour activer le levier d'accélérateur droit.

**NOTE:** *Un seul levier d'accélérateur peut fonctionner à la fois.*

#### Support pour bouteille d'eau

Le support pour bouteille d'eau est destiné à maintenir une bouteille d'eau en plastique de taille standard. Le support peut être fixé sur n'importe quel des deux côtés du scooter en utilisant la quincaillerie fournie.

## II. VOTRE SCOOTER

### SECTION ARRIERE

La section arrière de votre scooter abrite le levier d'embrayage, les antibascule (si équipé), le module moteur/transmission, et les supports pour drapeau de sécurité optionnel. **Voir la figure 7.** Bien que non représenté, les batteries et le disjoncteur principal (bouton de réinitialisation) sont également situés sur la partie de la composante arrière de votre scooter.



**MISE EN GARDE! Avant débrayer votre scooter, soyez assuré que le contact est coupé. Ne jamais asseoir sur votre scooter lorsqu'il est au neutre (débrayé). Ne jamais débrayer votre scooter alors que celui-ci est dans une pente ou sur une surface inclinée.**

#### CLE D'IDENTIFICATION

1. LEVIER D'EMBRAYAGE MANUEL
2. MODULE MOTEUR/TRANSMISSION
3. ANTIBASCULE (si équipé)
4. SUPPORT FANION DE SECURITE

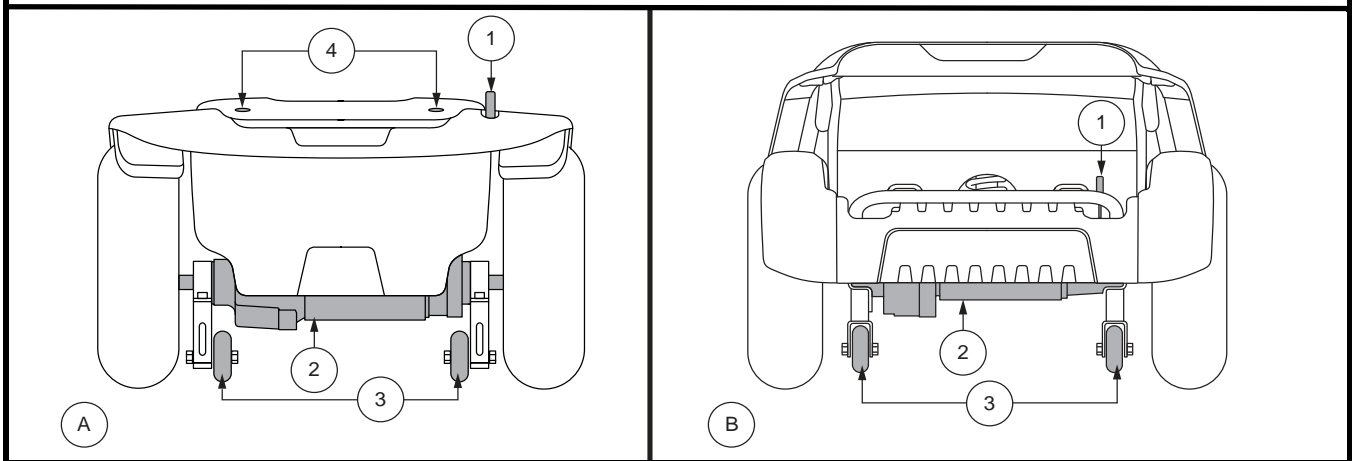


Figure 7. Section arrière

### Levier de débrayage manuel

Vous pouvez débrayer votre scooter (neutre) pour le déplacer manuellement sur de courtes distances.

1. Retirez la clé du contact.
2. Poussez le levier d'embrayage vers l'avant pour débrayer le scooter et relâcher les freins. Déplacez le scooter manuellement.
3. Tirez le levier vers l'arrière pour embrayer le moteur et réengager les freins.



**MISE EN GARDE! Lorsque le scooter est en mode roues libres (au neutre) les freins sont relâchés.**

- **Passer en mode roues libre seulement lorsque le scooter est sur une surface horizontale.**
- **Assurez-vous que la clé n'est pas sur le contact.**
- **Tenez-vous debout à côté du scooter pour passer en mode roues libres ou pour embrayer les moteurs. Ne jamais le faire alors que vous êtes assis sur le siège.**
- **Lorsque vous avez terminé le déplacement manuel du scooter, remettez toujours le scooter en mode embrayé afin d'engager les freins.**

**NOTE:** Si vous débrayez le scooter (levier poussé vers l'avant) alors que le scooter est allumé clé à la position "ON", le scooter ne pourra fonctionner tant que le levier ne sera pas replacé à la position vers l'arrière et que le scooter ne sera éteint puis allumé de nouveau.

### Module moteur/transmission

Le module moteur/transmission est composé du moteur et d'un essieu scellé à la transmission et au différentiel. Ce module fournit la puissance aux roues motrices de votre scooter.



## II. VOTRE SCOOTER

### Roulettes antibasculé (si équipé)

Les roulettes antibasculé sont une composante de sécurité importante de votre scooter. Elles sont boulonnées sur la structure à l'arrière du scooter.



**INTERDIT! Ne pas retirer ou modifier d'aucune manière les roulettes antibasculé sans avoir obtenu l'autorisation de votre détaillant autorisé.**



**MISE EN GARDE! Les roues anti-basculé peuvent provoquer des interférences avec la transition en douceur de votre scooter lorsque vous montez ou descendez un trottoir. Contactez votre détaillant autorisé pour plus d'informations.**

### Batteries

Les batteries emmagasinent l'énergie électrique de votre scooter. Voir la section III. "Batteries et recharge" pour de plus amples informations au sujet de la jauge à batteries.

### Support fanion de sécurité (Facultatif — Modèles 613/713)

Les supports pour accessoires pour l'installation d'un drapeau de sécurité en option sont montés à l'arrière du scooter. Voir la figure 7.

#### Pour installer les fanions sur la structure arrière:

1. Retirez le couvercle sur le dessus du support.
2. Insérez la tige du fanion dans l'ouverture.

### Bouton du disjoncteur principal

Lorsque les batteries sont faibles et que la demande est excessive (charge lourde ou pente forte) le disjoncteur peut se déclencher pour éviter d'endommager les composants électroniques et le moteur. Voir la figure 8.

- Trois types:
  1. Le levier d'enclenchement bascule vers le bas lorsque le disjoncteur se déclenche.
  2. Lorsqu'il est déclenché, la tête du bouton du disjoncteur sort.
  3. Type réinitialisation automatique se réenclenche au bout d'environ une minute ou deux.
- Attendez une minute avant d'essayer d'enclencher le circuit à nouveau.
- Poussez le levier de ré enclenchement vers le haut jusqu'à ce que vous entendiez un déclic, ou pesez sur le bouton pour l'enfoncer et rétablir les circuits.
- Si le disjoncteur se déclenche à répétition, nous recommandons de charger vos batteries plus souvent et de faire tester vos batteries par votre marchand autorisé.
- Si le disjoncteur principal saute à répétition, contactez votre détaillant pour obtenir de l'aide.

### CLE D'IDENTIFICATION

1. STYLE DE LEVIER
  - a. un levier de réinitialisation
  - b. bouton d'arrêt manuel
2. STYLE DU BOUTON DE REINITIALISATION
3. STYLE DE REINITIALISATION AUTOMATIQUE (Modèles 614 ou 714)

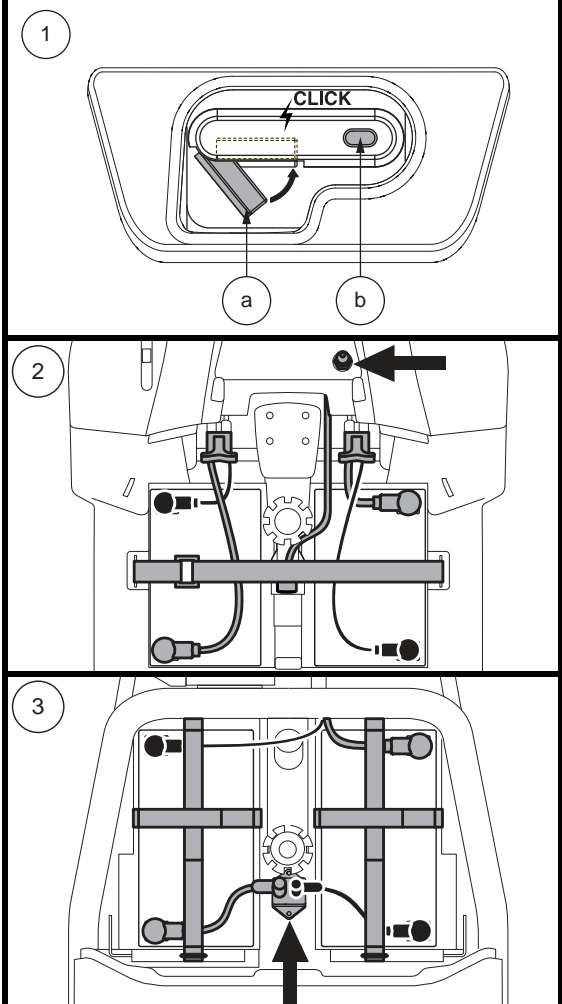


Figure 8. Bouton du disjoncteur principal

## II. VOTRE SCOOTER

**AVIS:** Si vous préparez le scooter pour le transport ou l'entretien, ou s'il existe une situation qui vous oblige à arrêter manuellement le système électrique, appuyez sur le bouton d'arrêt manuel sur le disjoncteur. Cela coupera l'alimentation au scooter.

### ANCRAGE DU SCOOTER

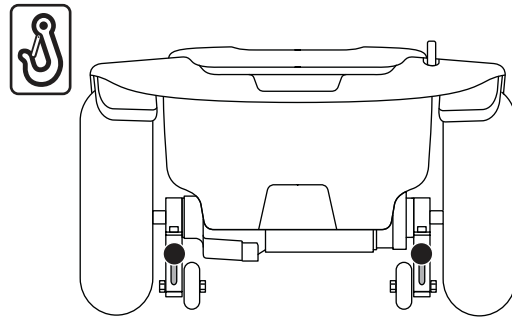
Le scooter doit toujours être ancrés face à l'avant du véhicule. Fixez les quatre (4) courroies aux points d'ancrage désignés sur le scooter. Voir les figures 9 et 10. Serrez-bien les courroies pour retirer le jeu excessif. N'attachez jamais le scooter par ses composants réglables ou mobiles tels que les accoudoirs, capots ou roues. Ces articles devraient être enlevés. Positionnez les points d'ancrage arrière des courroies directement derrière le scooter. Les points d'ancrage avant sont disposés plus loin de chaque coté du scooter afin d'augmenter la stabilité latérale.



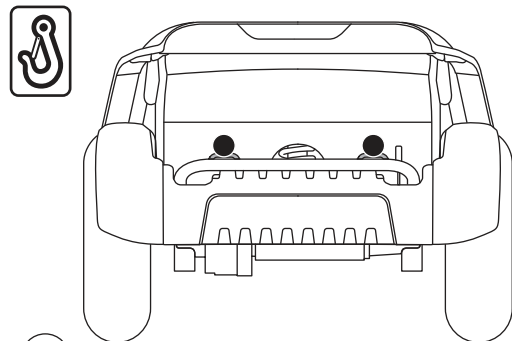
**MISE EN GARDE!** Assurez-vous que le scooter est bien attaché au véhicule pendant le transport routier. Un scooter qui n'est pas ancré correctement pourrait devenir dangereux pour son occupant et pour les autres passagers du véhicule lors d'un arrêt brusque, dans un virage serré puisque le scooter pourrait se renverser et se déplacer violemment en cas de collision.

### CLE D'IDENTIFICATION

1. MODELES 613 ET 713
2. MODELES 614 ET 714



1

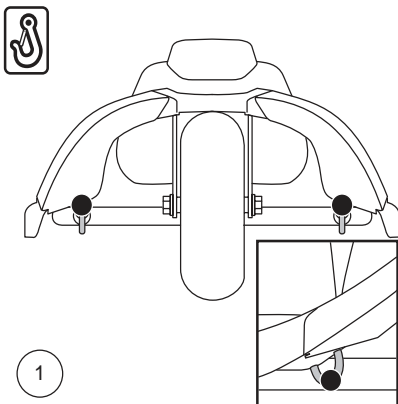


2

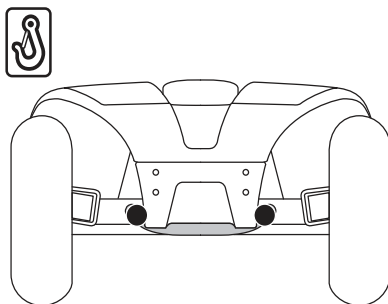
Figure 9. Points d'ancrage arrière (Identifié avec des points noirs)

### CLE D'IDENTIFICATION

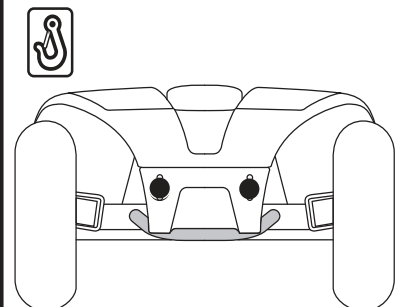
1. 3-ROUES MODELES
2. 4-ROUES MODELES



1



2



2

Figure 10. Points d'ancrage avant (Identifié avec des points noirs)

# III. BATTERIES ET RECHARGE

## BATTERIES ET RECHARGE

Votre scooter utilise deux batteries à décharge poussée, scellées et sans entretien de 12 volts. Elle sont rechargées par le chargeur externe.

- Chargez vos batteries au moins 8 à 14 heures avant la toute première utilisation de votre scooter.
- Gardez vos batteries bien chargées pour éviter les complications.

## LECTURE DU VOLTAGE DES BATTERIES

La jauge à batteries située sur le tableau de bord indique la quantité d'énergie stockée dans les batteries à l'aide d'un code de couleur. Le vert indique des batteries pleine charge, le jaune indique que la charge est partielle tandis que le rouge montre que les batteries doivent être rechargées immédiatement. **Voir la figure 11.** Pour avoir une mesure fiable, vous devez débrancher le cordon d'alimentation du chargeur et mettre le contact du scooter. Pour les modèles avec écran LCD, veuillez-vous référer à la section "Indicateur d'état de la batterie" à la page 54.

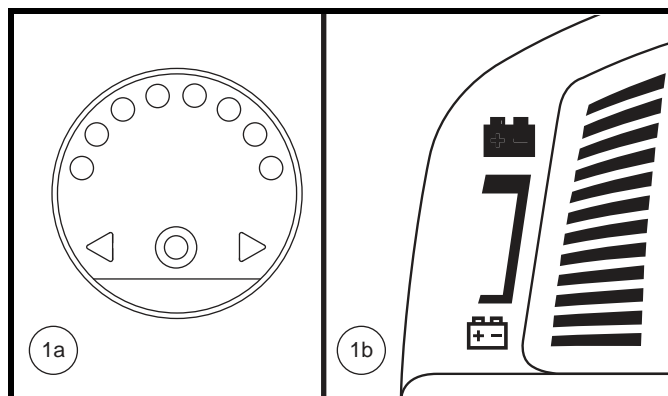


Figure 11. Jauge à batteries

## RECHARGE DES BATTERIES



**INTERDIT!** Vous risquez de provoquer une situation dangereuse si vous enlevez la branche de mise à la terre du connecteur électrique sur le cordon d'alimentation du chargeur. Au besoin, installez un adaptateur à 3 branches sur la prise électrique à 2 fentes.



**INTERDIT!** N'utilisez jamais une rallonge de cordon électrique pour brancher le chargeur à batteries. Branchez-le directement dans une prise électrique standard.



**INTERDIT!** Ne laissez pas d'enfant jouer sans surveillance près d'un scooter lorsque vous rechargez les batteries. Nous recommandons de ne pas recharger les batteries lorsque le scooter est occupé.



**OBLIGATOIRE!** Lisez les instructions sur le fonctionnement du chargeur dans ce manuel et celles contenues dans le manuel fourni avec le chargeur avant de commencer la recharge des batteries.

**MISE EN GARDE!** Des vapeurs explosives peuvent être émises pendant la recharge des batteries. Ventilez adéquatement la pièce et n'approchez pas du chargeur avec des étincelles ou une flamme ouverte pendant la recharge des batteries.

**MISE EN GARDE!** Vous devez recharger les batteries avec le chargeur externe qui a été fourni avec votre scooter. N'utilisez pas un chargeur de type automobile.



**MISE EN GARDE!** Inspectez le chargeur, les fils et les connecteurs avant chaque utilisation. Contactez votre détaillant autorisé si vous découvrez des dommages.

**MISE EN GARDE!** Ne tentez pas d'ouvrir le boîtier du chargeur. Si le chargeur ne semble pas fonctionner correctement, contactez votre détaillant autorisé.

**MISE EN GARDE!** Si le chargeur est équipé de fentes de refroidissement, ne tentez pas d'insérer d'objets dans ces fentes.

**MISE EN GARDE!** Soyez conscient que le boîtier du chargeur de batterie peut devenir chaud pendant la charge. Évitez tout contact cutané et ne placez pas dessus des surfaces susceptibles d'être affectées par la chaleur.

# III. BATTERIES ET RECHARGE



**MISE EN GARDE! N'exposez pas votre chargeur aux intempéries sauf si celui-ci a été approuvé pour l'usage à l'extérieur. Si le chargeur est exposé aux intempéries, alors il doit avoir le temps de s'adapter aux conditions internes avant de l'utiliser à l'intérieur. Référez-vous au manuel fourni avec le chargeur pour de plus amples informations.**

Voici comment recharger vos batteries sécuritairement:

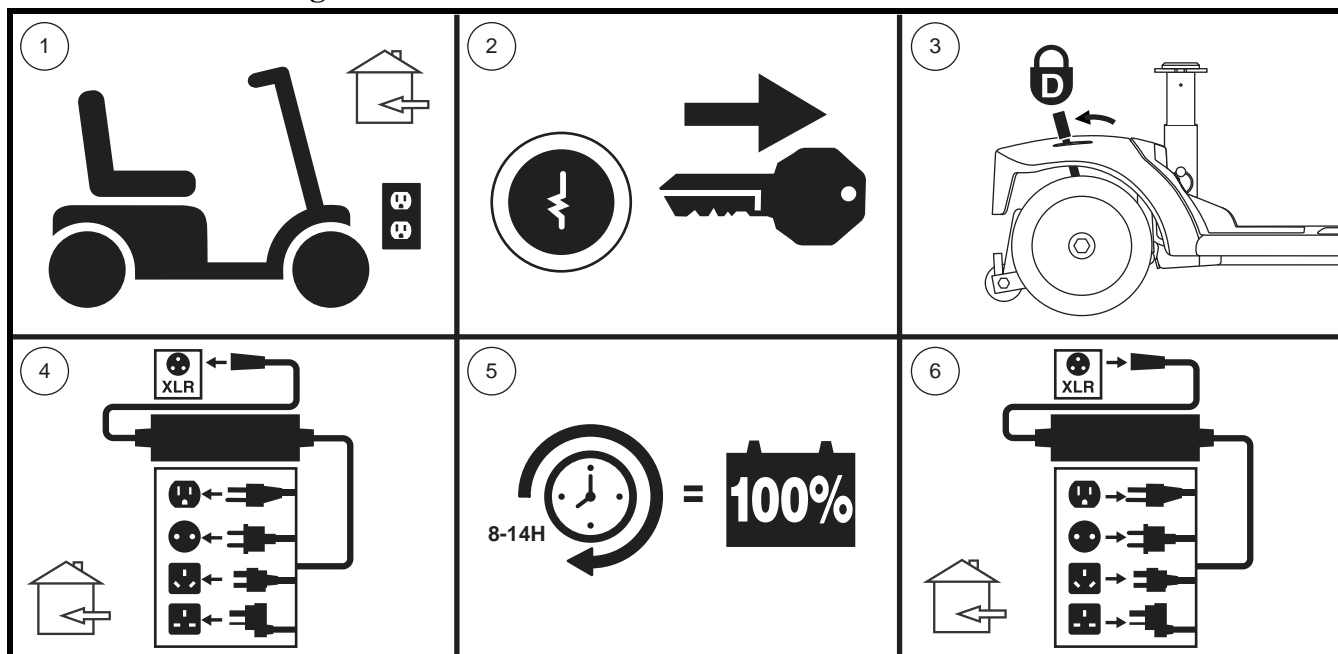


Figure 12. Recharge des batteries schéma des procédures



**MISE EN GARDE! Les voyants lumineux sur le chargeur vous informent sur l'état actuel. Si dans les 24 heures, la DEL n'indique pas que la charge est terminée, débrancher le chargeur de la prise et contactez votre détaillant autorisé. Référez-vous au manuel fourni avec le chargeur pour les instructions complètes sur les voyants lumineux.**

**NOTE:** Le scooter possède un dispositif qui bloque le fonctionnement du scooter et de sa jauge à batteries pendant la recharge de batteries.

## QUESTIONS POSEES FREQUEMMENT

### Comment fonctionne le chargeur?

Si les batteries sont faibles, le chargeur travaillera davantage. Au fur et à mesure que les batteries se rechargent, le chargeur ralentit le débit de recharge jusqu'à ce que les batteries soient complètement chargées. Lorsqu'elles le sont, le niveau d'intensité est presque à zéro. Les batteries seront alors maintenues chargées mais ne peuvent être surchargées. Reportez-vous au manuel fourni avec le chargeur de batterie pour des instructions de chargement.

### Puis-je utiliser un autre chargeur?

Les chargeurs sont choisis en fonction de l'utilisation et sont bien adaptés au type, à la capacité et à la formule chimique des batteries utilisées. La façon la plus rapide et sûre de recharger les batteries de votre scooter est à l'aide du chargeur d'origine fourni avec votre produit. Ne rechargez pas les batteries individuellement.

## III. BATTERIES ET RECHARGE

### Que faire si les batteries ne se rechargent pas?

- Assurez-vous que les câbles rouges (+) et noir (-) sont bien branchés aux bornes des batteries.
- Assurez-vous que le cordon d'alimentation du chargeur soit bien enfoncé dans le réceptacle et la prise murale.

### À quelle fréquence dois-je recharger mes batteries?

Deux facteurs influencent la nécessité de recharger les batteries.

- Une utilisation journalière.
- Une utilisation occasionnelle du scooter.

Avec ces considérations à l'esprit, vous serez en mesure de déterminer à quelle fréquence et pendant combien de temps vous devez recharger les batteries de votre scooter. Bien que le chargeur de batteries intégré ait été conçu de façon à ne jamais surcharger les batteries, plusieurs propriétaires hésitent à charger leurs batteries régulièrement. Si vous suivez les conseils décrits ci-dessous, vos batteries seront fiables et plus durables.

- Si vous utilisez votre scooter toute la journée, rechargez vos batteries dès que vous avez fini de l'utiliser. Le chargeur possède un dispositif automatique qui ne surchargera pas vos batteries et votre scooter sera prêt chaque matin. Après une journée d'utilisation, il est recommandé de recharger vos batteries pendant au moins 8 à 14 heures. Nous recommandons de charger les batteries pendant 4 heures supplémentaires après que le chargeur de la batterie indique que la charge est terminée.
- Si vous utilisez votre scooter occasionnellement (une fois par semaine ou moins), il est recommandé de recharger vos batteries au moins une fois par semaine pendant au moins 24 heures.

**NOTE: Gardez vos batteries bien chargées et évitez de les décharger complètement. Reportez-vous au manuel fourni avec le chargeur de batterie pour des instructions de chargement. Nous recommandons de charger vos batteries pendant au moins 48 heures consécutives une fois par mois afin d'améliorer les performances et la vie de la batterie.**

### Que dois-je faire pour allonger la vie utile de mes batteries?

Les batteries à décharge poussée sont conçues pour fournir une performance supérieure plus longtemps que les batteries ordinaires. Gardez vos batteries pleinement chargées aussi souvent que possible. Des batteries trop déchargées, rechargées de façon non assidue, ou entreposées sans qu'elles ne soient pleinement chargées ne seront pas fiables, auront une piètre performance et de plus, dureront moins longtemps.

**NOTE: Pour prolonger la vie de la batterie, éteignez toujours le scooter et retirez la clé lorsqu'il n'est pas utilisé.**

### Comment obtenir une distance maximale avec mes batteries?

Les conditions de conduite ne sont pas toujours idéales ie: terrain ferme et plat, sans courbe et sans vent contraire. Souvent, nous faisons face à des pentes, des crevasses dans les trottoirs, du gravier, des courbes, etc. Ces facteurs affecteront la distance que vous pourrez parcourir avec votre scooter. Voici quelques suggestions pour maximiser la distance parcourue avec une recharge de batteries:

- Avant de partir, assurez-vous que vos batteries sont complètement chargées.
- Maintenez la pression recommandée dans les pneus si votre scooter en est équipé.
- Planifiez votre sortie de façon à éviter les pentes et les surfaces difficiles.
- Emportez le minimum de bagages.
- Essayez de maintenir une vitesse constante.
- Évitez d'arrêter et de repartir fréquemment.
- Nous recommandons de charger vos batteries pendant au moins 48 heures consécutives une fois par mois afin d'améliorer les performances et la vie de la batterie.
- Assurez-vous qu'elles les câbles soient branchées de façon sécuritaire.

## III. BATTERIES ET RECHARGE

### Quel type de batteries devrais-je utiliser?

Nous recommandons les batteries à décharge poussée (deep cycle), sans entretien et scellées à l'usine ce qui élimine les risques de fuite. Les batteries de type AGM ou au gel scellées sont des batteries "à décharge poussée" offrant des performances similaires. N'utilisez pas de batteries conventionnelles à bouchons enlevables. Référez-vous au tableau des spécifications pour les dimensions des batteries selon les différents fabricants.



**MISE EN GARDE! Les batteries contiennent des produits corrosifs. Utilisez seulement des batteries de type AGM ou au gel afin de réduire le risque de fuite ou d'explosion.**

*NOTE: Les batteries scellées n'ont pas besoin d'ajout de liquide. N'enlevez pas les bouchons.*

### Pourquoi mes nouvelles batteries semblent-elles faibles?

Les batteries de type "à décharge poussée" sont très différentes des batteries d'automobiles, nickel/cadmium ou des autres batteries de type courant. Entre autres, les composantes chimiques utilisées dans les batteries à décharge poussée augmentent leur puissance et permettent de les recharger rapidement.

En collaboration avec son fournisseur de batteries, nous équipe ses scooters avec les meilleures batteries disponibles. Elles sont chargées à bloc avant la livraison, cependant le transport les expose à des conditions climatiques parfois extrêmes qui peuvent affecter leur performance. En effet, la chaleur et le froid réduisent la charge des batteries et augmentent le temps nécessaire pour les recharger.

Une batterie gelée peut prendre quelques jours pour se stabiliser à la température ambiante. De plus, il est important de se rappeler que les batteries atteindront leur performance maximale après quelques cycles d'utilisation et de recharge.

### Voici quelques conseils pour bien roder vos batteries:

1. Chargez complètement vos batteries avant d'utiliser votre appareil pour la première fois. Elles seront alors à 88% de leur capacité.
2. Utilisez tout d'abord votre scooter autour de la maison de façon à vous habituer aux commandes et en apprécier le confort. Ceci permettra de roder vos batteries.
3. Rechargez vos batteries à nouveau pendant environ au moins 8 à 14 heures. Utilisez votre scooter de façon à continuer le rodage. Vos batteries seront alors à 90% de leur capacité.
4. Utilisez de nouveau votre scooter et rechargez vos batteries.
5. Après quatre ou cinq cycles de décharge et recharge, vos batteries atteindront 100% de leur capacité et dureront plusieurs années grâce aux soins que vous leur aurez apportés.

### Au sujet des transports publics?

Les batteries scellées (AGM) et les batteries au gel ont été conçues pour être utilisées dans les scooters et des véhicules semblables. Ces batteries sont la Federal Aviation Administration (FAA) a approuvé (États-Unis uniquement), permettant le transport en sécurité sur transporteurs aériens, les autobus et les trains car les risques de fuite ou de renversement sont inexistantes. Nous vous suggérons quand même de communiquer avec la compagnie de transport pour connaître leurs exigences.

# III. BATTERIES ET RECHARGE

Comment remplacer une batterie dans mon scooter?



**OBLIGATOIRE!** Les batteries, les bornes et les accessoires contiennent du plomb. Portez des lunettes et des gants pour les manipuler et lavez vos mains après les avoir manipulées.



**INTERDIT!** Utilisez toujours des batteries identiques, du même modèle, même capacité ampère/heure (Ah). Référez-vous dans ce les spécifications du produit et dans le manuel du chargeur pour connaître le type et modèle recommandé.

**MISE EN GARDE!** N'utilisez pas une vieille batterie en paire avec une neuve. Il faut toujours remplacer les deux batteries à la fois.

**MISE EN GARDE!** Contactez votre détaillant autorisé si vous avez des questions au sujet des batteries de votre scooter.



**MISE EN GARDE!** Ne pas procéder au remplacement lorsque quelqu'un y prend place.

**MISE EN GARDE!** Le remplacement des batteries de votre scooter doit être fait par votre détaillant autorisé ou un technicien qualifié.



**INTERDIT!** Tenez les objets et outils métallique loin des bornes des batteries. Un contact avec un outil en métal peut provoquer un choc électrique.

Vous aurez besoin des outils suivants pour remplacer les batteries:

- Ensemble de clés à rochet métriques/standards
- Clé ajustable



**MISE EN GARDE!** Ne tentez pas de soulever plus que vous ne le pouvez. Demandez de l'aide au besoin pour l'assemblage ou le démontage de votre scooter.

Pour remplacer une batterie dans votre scooter:

1. Retirez le siège et le capot à batteries. Voir la figure 13.
  - a.) Pour modèles 614 et 714, retirez les deux (2) vis moletées du le capot arrière du scooter qui le fixe sur la structure et soulevez-le à la verticale. Voir la figure 13.
  - b.) Pour modèles 614 et 714, retirez les quatre (4) vis moletées du couvercle à batteries qui le fixe sur la structure et soulevez-le à la verticale. Voir la figure 13.
2. Détachez les courroies des batteries.
3. Pour toute les modèles SAUF 614 et 714, débrancher le faisceau d'avant en arrière. Débrancher les deux câbles de la batterie en retirant chaque faisceau de sa fiche de connexion. Voir la figure 14.



**MISE EN GARDE!** Ne tirez pas directement sur les câbles pour les détacher du scooter. Il faut toujours prendre le connecteur pour détacher le câble afin d'éviter les dommages.

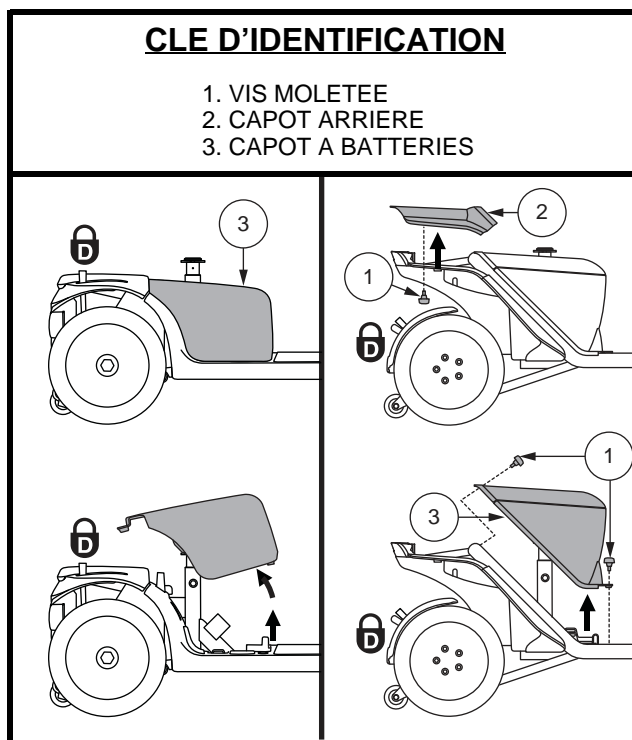


Figure 13. Retirer/Installer le protecteur de la batterie

# III. BATTERIES ET RECHARGE



**MISE EN GARDE!** Débranchez les deux câbles à batteries, le câble de sections avant/arrière et la câbles des éclairages arrière avant de séparer les sections sous peine d'endommager le scooter.

## CLE D'IDENTIFICATION

- |  |  |
|--|--|
| 1. DISJONCTEUR DU CIRCUIT PRINCIPAL                    | 2. CONNECTEURS A BATTERIES SOUS LES BOTTES |
| 1a. Le bouton pour l'enfoncer et rétablir les circuits | 3. SANGLE DE FIXATION DE LA BATTERIE       |
| 1b. Levier de réinitialisation                         | 4. CONNECTEUR DES CABLES DE LA BATTERIE    |
| 1c. Style de réinitialisation automatique              | 5. CONNECTEUR DU CABLE AVANT/ARRIERE       |

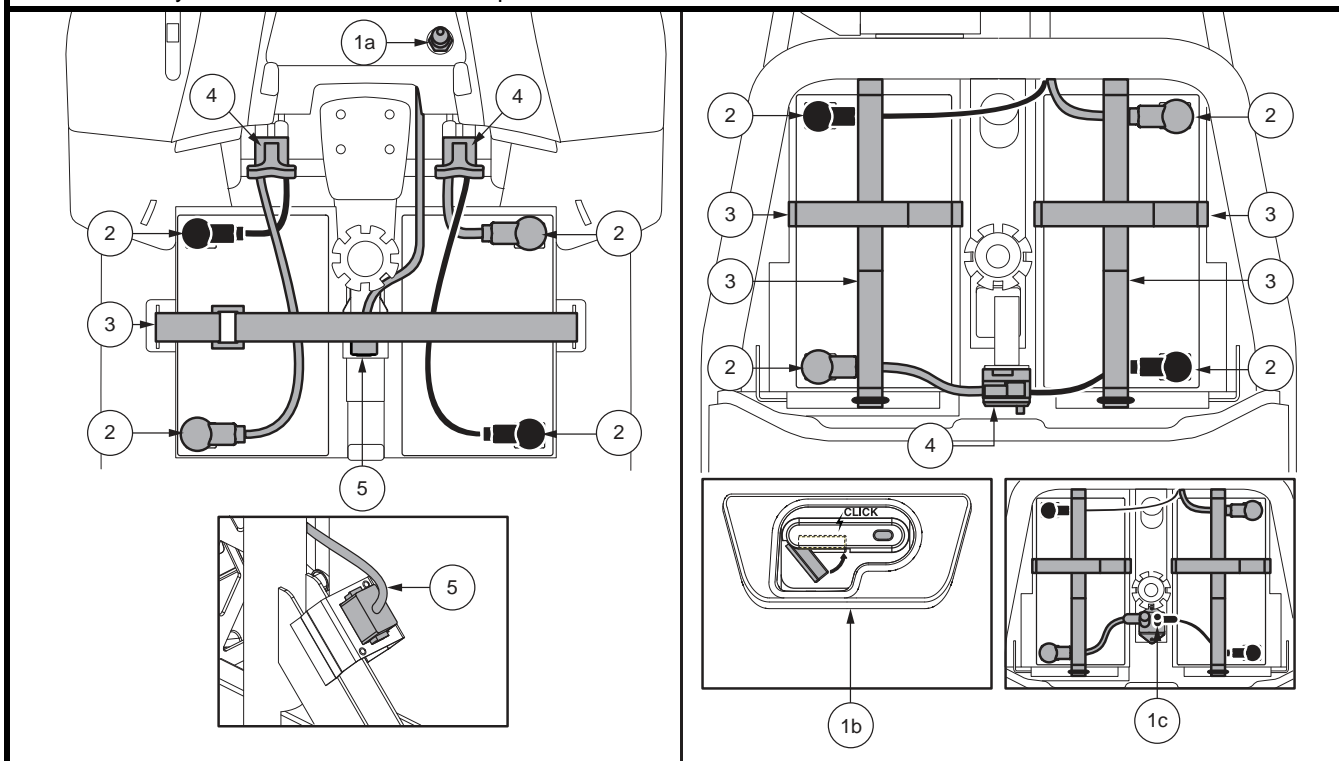


Figure 14. Enlèvement/installation des batteries et connexions

4. Débranchez les câbles des bornes des batteries en soulevant la couvercles des bornes et en desserrant le boulon et l'écrou sur chaque borne. **Voir la figure 15.**
5. Retirez les vieilles batteries des puits à batteries.

**NOTE:** Certains scooters ont des entretoises installées pour sécuriser les batteries. Vous pouvez retirer les entretoises et les garder en sûreté jusqu'à ce que les batteries soient remplacées dans le scooter. Voir la figure 16.

6. Placez une nouvelle batterie dans chaque puits en prenant soins d'alignez les bornes de la batteries droite près du mât de siège et les bornes de la batterie de gauche loin du mât avec les bornes positive (+) et négative (-) de la batterie positionnées comme indiqué sur la **figure 14**.

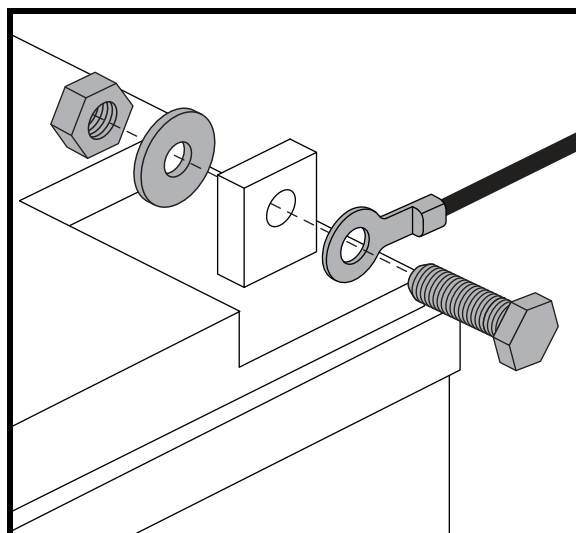


Figure 15. Batterie Borne Matériel



# III. BATTERIES ET RECHARGE

**NOTE:** Les modèles 614 et 714 utilisent des sangles de fixation afin de sécuriser les batteries. Veuillez-vous référer à la figure 16 pour les procédures d'installation des sangles de la batterie.

7. Branchez le câble rouge à la borne positive (+) sur chaque batterie.
8. Branchez le câble noir à la borne négative (-) sur chaque batterie.
9. Remplacez les couvercles sur les bornes.
10. Attachez les batteries avec leur courroie d'ancrage.
11. Réinstallez le capot batterie, le capot arrière et le siège.

**NOTE:** Si vous découvrez qu'une de vos batteries est endommagée ou fissurée, placez-la immédiatement dans un sac en plastique et contactez votre détaillant pour obtenir les instructions pour en disposer de manière sécuritaire. Celui-ci vous informera sur le recyclage des batteries et sur la procédure à suivre.

## Sécurisation de la batterie et routage des sangles

1. Sécuriser les batteries dans les puits à batteries en acheminant les sangles de batterie fournies par les fentes du puits de la batterie comme indiqué.
2. S'assurer que la sangle courte passe au-dessus de la sangle longue.

**NOTE:** Avant de fixer les deux sangles, s'assurer que l'anneau en D est positionné comme indiqué ici. L'anneau en D doit être placé à 2.54 cm (1 po) du, mais ne doit jamais toucher le puits de la batterie.

3. Tout excès de cerclage doit être placé faisant face à l'arrière ou au côté du mât du siège du scooter.



**MISE EN GARDE!** Les sangles de la batterie ne doivent jamais être placées sous la batterie.

## CLE D'IDENTIFICATION

- |                          |                               |
|--------------------------|-------------------------------|
| 1. FIXATION REUTILISABLE | 5. LOGEMENT AVANT             |
| 2. SANGLE COURTE         | 6. LOGEMENT LATÉRAL           |
| 3. SANGLE LONGUE         | 7. LOGEMENT ARRIÈRE           |
| 4. ANNEAU EN D           | 8. ENTRETOISES DE LA BATTERIE |

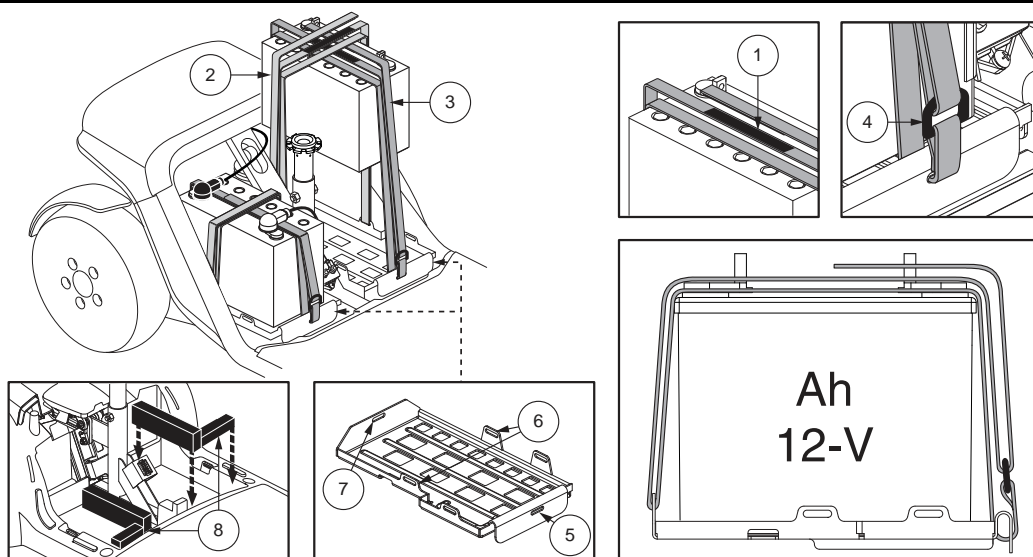


Figure 16. Sécurisation de la batterie pour les modèles 614 et 714

## IV. FONCTIONNEMENT

### AVANT DE PRENDRE PLACE SUR VOTRE SCOOTER

- Avez-vous rechargé vos batteries à fond? Voir la section III. “Batteries et recharge.”
- Le scooter est-il embrayé (levier tiré vers l’arrière). Ne jamais laisser le levier en position poussée vers l’avant sauf pour le déplacer manuellement.
- Vérifiez que la température de l’air est comprise entre -25°C/-13 °F à 50°C/122°F.

### S’INSTALLER SUR SON SCOOTER

1. Assurez-vous que la clé n’est pas sur le contact.



**MISE EN GARDE! Ne jamais monter sur votre scooter sans d’abord retirer la clé du contact. Ceci évitera un contact accidentel avec un des leviers d’accélérateur.**

2. Tenez-vous debout à côté de votre scooter.
3. Débloquez le siège et faites-le pivoter jusqu’à ce qu’il soit face à vous.
4. Assurez-vous qu’il est bien bloqué en place.
5. Asseyez-vous confortablement sur le siège.
6. Débloquez le siège et pivotez pour faire face à l’avant du scooter.
7. Assurez-vous qu’il est bien bloqué en place.
8. Vérifiez que vos pieds soient bien posés sur le plancher du scooter.

### VERIFICATIONS AVANT DEPART

- Le siège est-il à la bonne hauteur? Voir la section V. “Réglages confort.”
- Le siège est-il bloqué en position?
- Avez-vous réglé et verrouillé l’angle du mât du guidon pour être confortablement installé? Voir la section V. “Réglages confort.”
- La clé est-elle complètement enfoncée dans le contact et le scooter est-il allumé?
- Le klaxon fonctionne-t-il?
- Avant de partir, assurez-vous qu’il n’y a personne ni aucun obstacle devant vous.
- Avez-vous choisi votre parcours afin d’éviter les pentes et les surfaces difficiles?

### FONCTIONNEMENT DE VOTRE SCOOTER

**MISE EN GARDE! Les situations suivantes peuvent affecter la stabilité et/ou la conduite de votre scooter:**

- Tenir ou attacher la laisse de votre animal de compagnie
- Prendre un passager (humain ou animal)
- Suspendre tout objet au guidon
- Remorqué ou être poussé par un autre véhicule



**MISE EN GARDE! Risque de basculement! Évitez les manoeuvres à haute vitesse. Nous recommandons de régler le bouton de vitesse au minimum jusqu’à ce que vous soyez devenu familier avec les commandes et le fonctionnement de votre scooter.**

**MISE EN GARDE! Les distances de freinage du scooter sont plus grandes sur un plan incliné qu’à l’horizontale.**

**MISE EN GARDE! Gardez vos deux mains sur le guidon et les deux pieds sur le plancher en tout temps afin de conserver un meilleur contrôle de votre véhicule.**

## IV. FONCTIONNEMENT

- Réglez le bouton de vitesse au niveau désiré.
- Pesez ou tirez sur le levier d'accélérateur approprié.
- Les freins électriques se relâcheront automatiquement et votre scooter avancera à la vitesse sélectionnée.
- Tirez le guidon vers la gauche pour avancer vers la gauche.
- Tirez le guidon vers la droite pour aller vers la droite.
- Placez le guidon au centre pour avancer en droite ligne.
- Relâchez l'accélérateur pour ralentir et vous arrêter complètement. Les freins électromagnétiques de stationnement s'engageront automatiquement dès que le scooter sera arrêté.

**NOTE:** *La vitesse arrière de votre scooter est plus lente que la vitesse avant que vous réglez avec le bouton de vitesse.*

### POUR DESCENDRE DE VOTRE SCOOTER

1. Arrêtez votre scooter complètement.
2. Retirez la clé du contact.



**MISE EN GARDE!** Ne jamais monter sur votre scooter sans d'abord retirer la clé du contact. Ceci évitera un contact accidentel avec un des leviers d'accélérateur.

3. Débloquez le pivot du siège et faites-le tourner jusqu'à ce que vous soyez face au côté du scooter.
4. Assurez-vous que le siège est verrouillé après avoir relâché la manette.
5. Descendez prudemment et tenez-vous debout près de votre scooter.
6. Vous pouvez laisser le siège face à vous, prêt pour votre prochaine sortie.

### DISPOSITIF SAUVE ENERGIE

Votre scooter est équipé d'un dispositif conçu pour préserver l'énergie des batteries en coupant le contact automatiquement. Si vous laissez le contact allumé par inadvertance et que vous ne faites pas fonctionner votre scooter pendant les 20 prochaines minutes, le dispositif coupe l'alimentation au contrôleur du scooter automatiquement. Cependant les feux et le phare avant resteront allumés.

Si le courant a été coupé par le dispositif automatique, suivez les étapes suivantes pour rétablir le fonctionnement:

1. Retirez le clé du contact.
2. Insérez le clé dans le contact et tournez vers la position "on".

# V. REGLAGES CONFORT

## REGLAGE DE L'INCLINAISON DU GUIDON (Voir la figure 1 ou 6)

**MISE EN GARDE! Retirez la clé du contact avant de changer les réglages du guidon ou ceux du siège. Ne tentez jamais de régler le siège ou le guidon lorsque le scooter est en mouvement.**



**MISE EN GARDE! Avant d'utiliser le scooter, pousser et tirer sur le guidon pour assurer que le mécanisme de réglage de l'angle est sécurisé. Inspecter le bouton de réglage du guidon et le mécanisme de réglage de l'angle pour assurer qu'ils sont pleinement engagés. S'il y a du mouvement dans le guidon, assurez-vous que le bouton de réglage de la barre est bien serré.**



**MISE EN GARDE! N'essayez pas d'utiliser le levier de réglage du guidon comme un frein de stationnement.**

**NOTE:** Le siège doit avoir été retiré afin de pouvoir abaisser le guidon jusqu'au niveau du plancher du scooter.

## MIROIR

**Pour installer le miroir (voir la figure 1 ou 6):**

1. Déterminez de quel côté vous installerez le miroir et retirez le bouchon sur la poignée du guidon.
2. Insérez la partie filetée du miroir et faites-le pivoter dans le sens des aiguilles d'une montre jusqu'à ce qu'il soit bien serré.
3. Au besoin, tournez l'écrou dans le sens des aiguilles d'une montre pour le bloquer en place.

**Pour ajuster le miroir:**

1. Prenez la position de conduite avant sur le siège.
2. Ajustez le miroir afin d'obtenir une bonne vision arrière.

## REGLAGE DU DOSSLER



**MISE EN GARDE! N'utilisez pas votre scooter lorsque le dossier est en position inclinée.**

**MISE EN GARDE! Gardez votre dos en contact avec le dossier lorsque vous faites son réglage.**

Si votre scooter est équipé d'un siège à dossier inclinable, vous pouvez changer l'inclinaison du dossier avec le levier de réglage du dossier. **Voir la figure 17.**

1. Alors que votre dos est bien en contact avec le dossier, tirez sur le levier et penchez votre torse vers l'avant ou vers l'arrière pour régler l'angle du dossier.
2. Relâchez le levier dès que le dossier atteint la position de conduite désirée.

### CLE D'IDENTIFICATION

1. LEVIER DE REGLAGE DU DOSSIER
2. LEVIER DE ROTATION
3. ROULETTE DE REGLAGE
4. LEVIER DE GLISSIERE
5. SUPPORT D'ACCESSOIRE
6. GOUPILLE

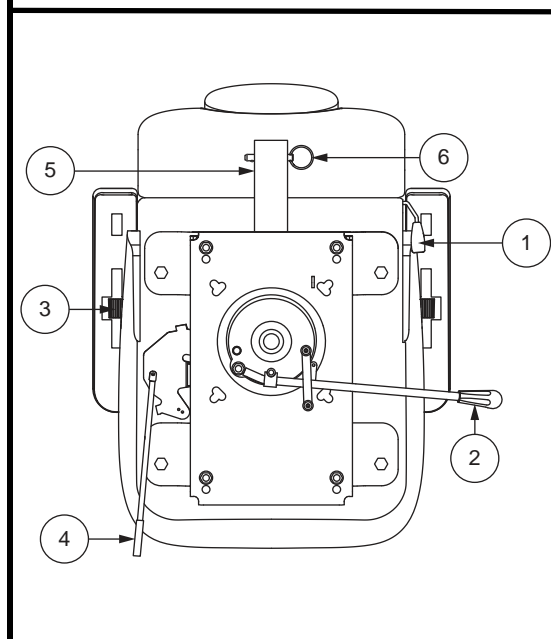


Figure 17. Réglage du siège

# V. REGLAGES CONFORT

## ROTATION DU SIEGE

Le levier de rotation est situé sur le coté droit de la base du siège et le bloque dans plusieurs positions.

1. Tirer vers le haut l'avant le levier de rotation du siège afin de dégager le siège. **Voir la figure 17.**
2. Faites-le pivoter vers la direction désirée.
3. Relâchez le levier pour le bloquer en place.

## REGLAGE DE L'INCLINAISON DES ACCOUDOIRS

Élevez ou abaissez l'inclinaison des accoudoirs en tournant la roulette de réglage sous l'accoudoir. **Voir la figure 17.**

*NOTE: Les accoudoirs peuvent être relevés à la verticale pour faciliter les transferts.*

## REGLAGE AVANT/ARRIERE DU DOSSIER

Vous pouvez déplacer le siège vers l'avant ou vers l'arrière pour régler la distance entre le siège et le guidon.

1. Déplacez le levier coulissant du siège (situé sur le côté inférieur gauche du siège) vers l'extérieur. **Voir la figure 17.**
2. Tout en maintenant le levier vers l'extérieur, faites glisser le siège vers l'avant ou vers l'arrière.
3. Relâchez le levier lorsque le siège atteint la position désirée.

## SUPPORT D'ACCESSOIRE

Le support d'accessoire monté à l'arrière vous permet d'attacher un accessoire personnel comme un panier, support pour marchette ou réservoir d'oxygène à l'arrière de votre scooter. Utiliser la goupille de verrouillage afin de bien fixer votre article au support d'accessoire. **Voir la figure 17.** Consultez votre détaillant autorisé pour plus de détails.

## REGLAGE HAUTEUR DU SIEGE

Le siège possède plusieurs niveaux de réglage de hauteur différents. **Voir la figure 18.**

1. Retirez le siège et le capot de votre scooter.
2. Retirez le boulon de réglage de la hauteur.
3. Élevez ou descendez le siège vers le niveau désiré.
4. Tenez le siège et alignez les trous dans le mât et dans la base du mât.
5. Insérez le boulon de réglage au travers des trous du mât et de la base du mât.
6. Réinstallez l'écrou et resserrez bien.
7. Réinstallez le capot et le siège.

### CLE D'IDENTIFICATION

1. MAT DU SIEGE
2. ECROU
3. BOULON DE REGLAGE DU MAT
4. BASE DU MAT

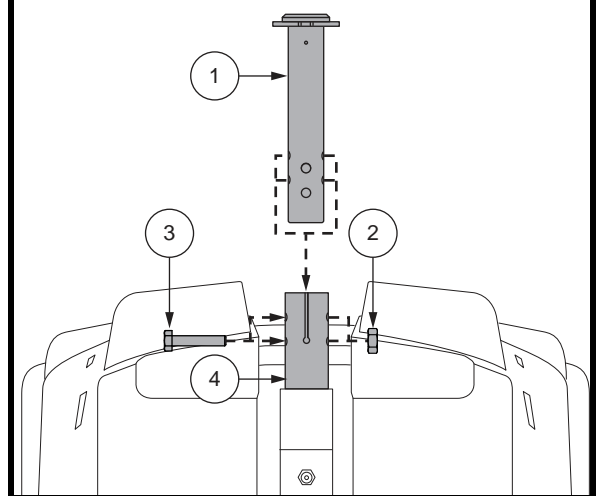


Figure 18. Réglage de la hauteur du siège

### CLE D'IDENTIFICATION

1. CAPOT
2. MONTANT SUPERIEUR DU SIEGE
3. RESSORT  
CAPACITES DES POIDS: 0-90.72 kg (0-220 lb)  
90.72-181.44 kg (220-400 lb)
4. ENTRETOISE
5. BOULON A EPAULEMENT (210 in • lb [24 N • m])
6. MONTANT INFERIEUR DU SIEGE
7. RONDELLE
8. ECROU

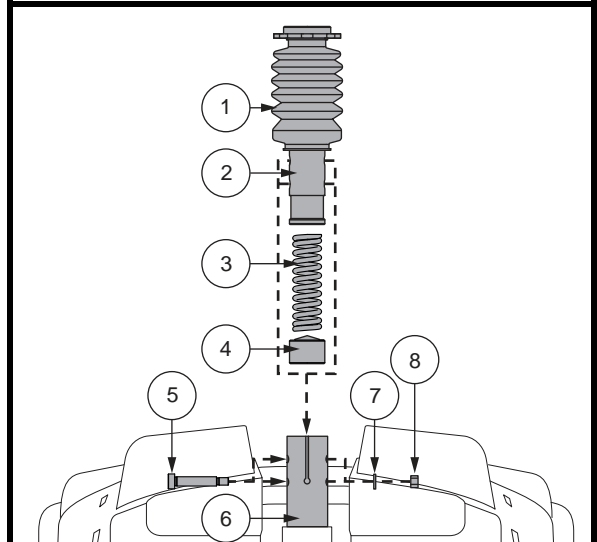


Figure 19. Réglage Hauteur du Siège - Montant du Siège Comfort

## V. REGLAGES CONFORT

### REGLAGE HAUTEUR DU SIEGE - MONTANT DU SIEGE CONFORT (SI EQUIPPÉ)

**Pour repositionner le siège à une des deux hauteurs différentes:**

1. Retirez le siège du scooter. Tirer vers le haut et maintenez le levier de rotation du siège pour dégager le siège, puis tourner le siège et retirez-le du scooter.
2. Retirez le capot arrière.
3. Pousser le capot du montant vers le haut pour découvrir la quincaillerie de montage.
4. Poussez vers le bas le montant du siège tout en desserrant et en enlevant le boulon à épaulement, la rondelle et l'écrou. **Voir la figure 19.**
5. Retirez le ressort de confort. 6. Pour relever le siège au trou de montage le plus haut, insérer l'entretoise de réglage de la hauteur. Pour abaisser le siège au trou de montage le plus bas, retirez l'entretoise de réglage de la hauteur.
7. Réinstallez le ressort de confort.
8. Maintenez le montant du siège à la hauteur désirée et faites correspondre les trous de positionnement du montant du siège avec ceux de la tourelle du siège. Utiliser les trous du haut pour la position supérieure ou les trous du bas de la position inférieure.

**NOTE:** Lorsque le montant du siège est en position haute, vous devez utiliser deux entretoises.

9. Poussez vers le bas le montant du siège lors de la réinstallation de la quincaillerie et du serrage 210 in • lb (24 N • m).
10. Réinstallez le capot arrière et le siège.

### REGLAGE SUSPENSION DU SIEGE (SI DISPONIBLE)

Vous pouvez desserrer ou serrer la suspension du siège en fonction du ressort de confort que vous installez.

**Pour ajuster la suspension du siège:**

1. Retirez le siège du scooter. Pousser en avant ou tirer vers le haut et maintenez le levier de rotation du siège pour dégager le siège, puis tourner le siège et retirez-le du scooter.
2. Retirez le capot arrière.
3. Poussez le capot du montant vers le haut pour découvrir la quincaillerie de montage.
4. Poussez vers le bas le montant du siège tout en desserrant et en enlevant le boulon à épaulement, la rondelle et l'écrou.
5. Retirez le ressort de confort.
6. Installez le ressort de confort désiré. **Voir la figure 19.**
7. Poussez vers le bas le montant du siège lors de la réinstallation de la quincaillerie et du serrage 210 in • lb (24 N • m).
8. Réinstallez le capot arrière et le siège.

### CEINTURE DE POSITIONNEMENT (FACULTATIF)

Votre scooter peut être équipé d'une ceinture de positionnement de type automobile réglable pour votre confort. La ceinture de positionnement est conçue pour supporter et empêcher le conducteur de glisser ou d'avancer sur le siège. La ceinture de positionnement n'est pas une ceinture de sécurité.



**MISE EN GARDE!** La ceinture de positionnement n'est pas conçue pour remplacer la ceinture de sécurité dans un véhicule moteur. De plus, le scooter n'est pas conçu pour être occupé lorsque celui-ci est à bord d'un véhicule routier. Toute personne à bord d'un véhicule moteur doit porter la ceinture de sécurité du véhicule approuvé par le fabricant.

**MISE EN GARDE!** La ceinture de positionnement doit être sécurisée à tout moment. Ne laissez jamais la ceinture de positionnement suspendue en l'air ou trainer sur le sol car elle peut s'emmêler.

## V. REGLAGES CONFORT

**Pour installer la ceinture de positionnement (si requis):**

1. Retirez le siège du scooter.
2. Placez le siège à l'envers pour faire face à sa base.  
**Voir la figure 20.**
3. Retirez les deux boulons aux extrémités de la courroie de montage du siège.
4. Insérez les boulons dans la ceinture (bout approprié) et au travers de la courroie de montage de chaque côté du siège.
5. Resserrez les boulons.

**Ceinture de positionnement de type attache en métal**

**Pour régler le confort de la ceinture de positionnement:**

1. Insérez l'onglet de la ceinture côté droit dans la boucle de ceinture côté gauche jusqu'à ce que vous entendiez le "clic". **Voir la figure 21.**
2. Tirez sur la courroie du côté droit jusqu'à ce que la tension soit adéquate mais pas trop serrée.

**Pour détacher la ceinture de positionnement:**

1. Pesez sur le bouton de détente du mécanisme sur le boîtier de plastique.

**Crochet réutilisable et boucle de fixation, ceinture de positionnement**

**Pour régler le confort de la ceinture de positionnement:**

1. Alignez les deux côtés de la ceinture en plaçant les deux bouts directement au-dessus du côté de l'attache ("crochet") du côté opposé de la ceinture. Pressez fermement ensemble pour attacher. **Voir la figure 21.**

**Pour détacher la ceinture de positionnement:**

1. Attrapez le bout de la boucle de la ceinture et tirez vers le haut pour détacher l'autre côté de la ceinture.

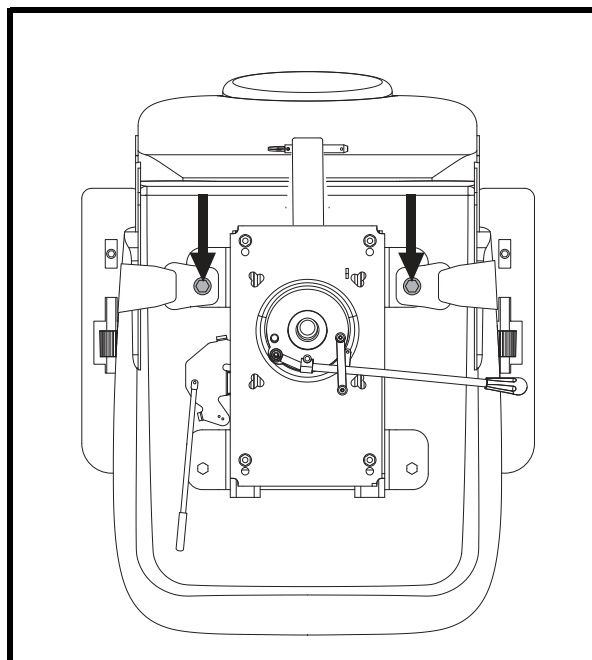


Figure 20. Boulons du ceinture de positionnement

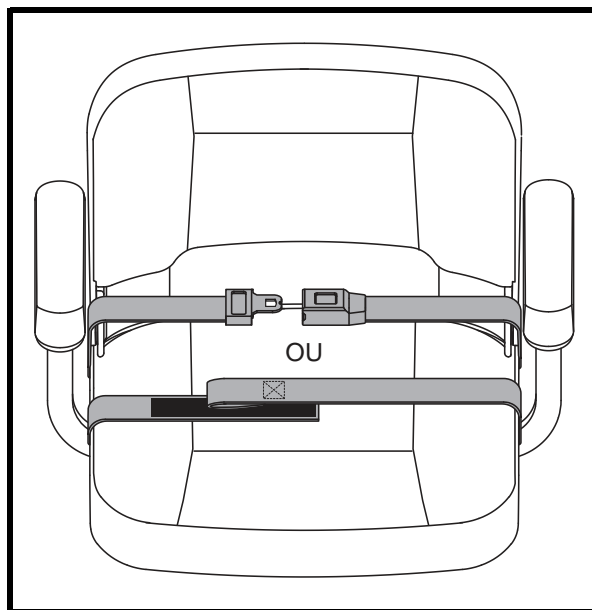


Figure 21. Ceinture de positionnement - De type attache en métal ou ceinture de positionnement - Crochet réutilisable et boucle de fixation

**OBLIGATOIRE! Assurez-vous que la ceinture de positionnement soit en place et bien réglée pour votre confort.**



**OBLIGATOIRE! Avant chaque utilisation du scooter, inspectez la courroie de positionnement pour pièces détachées ou dommages, y compris les déchirures, zones usées, la quincaillerie pliée ou mécanismes de verrouillage endommagés, la saleté ou débris. Si vous découvrez un problème, contactez votre détaillant autorisé pour la réparation.**

## VI. MONTAGE ET DEMONTAGE

**NOTE:** Veuillez vérifier le tableau des Caractéristiques du Scooter afin de déterminer si votre modèle de scooter peut être démonté à des fins de transport ou de stockage.

### DEMONTAGE

Le scooter est démontable en plusieurs sections: le siège, la section arrière, la section avant, le panier, les batteries, et la capot à batteries. **Voir la figure 22.** Aucun outil n'est requis pour assembler ou démonter le scooter cependant gardez en mémoire que les pièces démontées occuperont plus d'espace de plancher que le fauteuil complètement assemblé. Toujours procéder à l'assemblage ou au démontage de votre scooter sur une surface sèche et à niveau. Assurez-vous d'avoir environ 1.5 mètre (cinq pieds) de dégagement dans toutes les directions. Gardez en mémoire que certaines composantes du scooter sont lourdes et qu'il vous faudra possiblement de l'aide pour les manipuler.



**MISE EN GARDE!** Ne tentez pas de soulever plus que vous ne le pouvez. Demandez de l'aide au besoin pour l'assemblage ou le démontage de votre scooter.

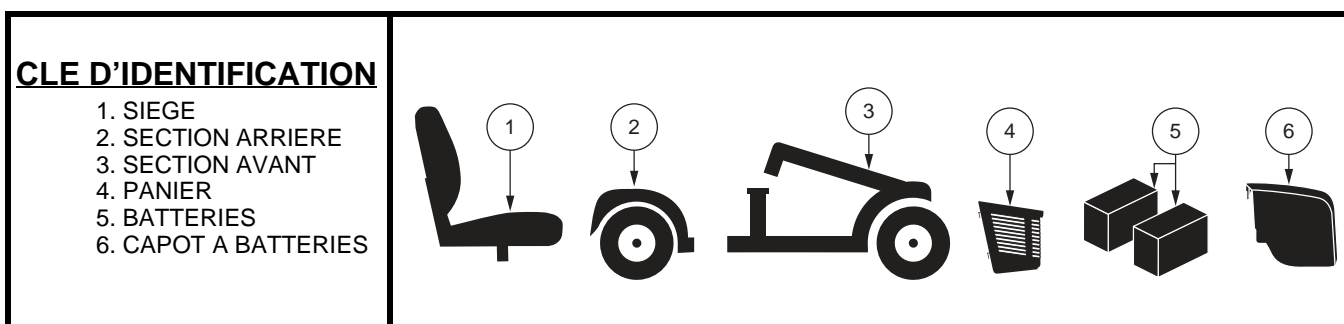


Figure 23. Démontage du Scooter

1. Retirez le siège en le soulevant bien droit à la verticale. Si le siège résiste et ne s'enlève pas facilement, pesez sur le levier de pivot du siège pour le bouger de gauche à droite afin de soulever et le retirer le siège.
2. Tirez doucement vers l'avant sur le protecteur de la batterie, puis le soulever hors du scooter.
3. Détachez les courroies d'ancrage des batteries.
4. Dèbranchez le câble avant/arrière aussi.
5. Débrancher les deux faisceaux de la batterie en appuyant sur les languettes et puis en tirant chaque faisceau tout droit vers le haut. **Voir la figure 14.**
6. Retirez les batteries des puits à batteries.

**NOTE:** Si des entretoises sont installées afin de sécuriser les batteries, les retirer et les garder en sûreté jusqu'à ce que le scooter soit remonté. Voir la figure 16.



**MISE EN GARDE!** Débranchez les deux câbles à batteries avant de séparer les sections avant et arrière sous peine d'endommager votre scooter.

### Démontage du châssis

1. Alignez la(les) roue(s) avant bien droite dans l'axe du scooter.
2. Abaissez le guidon.

**NOTE:** Le guidon est équipé d'un dispositif qui l'empêche de tourner lorsque celui-ci est en position complètement abaissée et bloquée.



## VI. MONTAGE ET DEMONTAGE

3. Relevez le levier de blocage du cadre. **Voir la figure 23.**
4. Soulevez la section avant afin de complètement dégager et séparer les crochets de la section arrière.
5. Séparez lentement les sections.

### MONTAGE

1. Positionnez les sections. **Voir la figure 23.**
2. Prenez le levier de blocage pour soulever la section avant en alignant les crochets de section avant avec les tubes de la section arrière.
3. Lorsque les crochets sont bien alignés sur le tube inférieur de la section arrière, abaissez la section avant complètement afin d'engager le blocage.
4. Relevez le guidon.
5. Branchez les câbles avant/arrière.
6. Réinstallez les plaques d'écartement des batteries si applicable. **Voir la figure 16.**
7. Réinstallez les batteries dans les puits à batteries.
8. Branchez les câbles sur les deux batteries. **Voir la figure 14.**
9. Ancrez les batteries avec leurs courroies.
10. Réinstallez le capot à batteries.
11. Réinstallez le siège et faites le pivoter pour le bloquer en place.

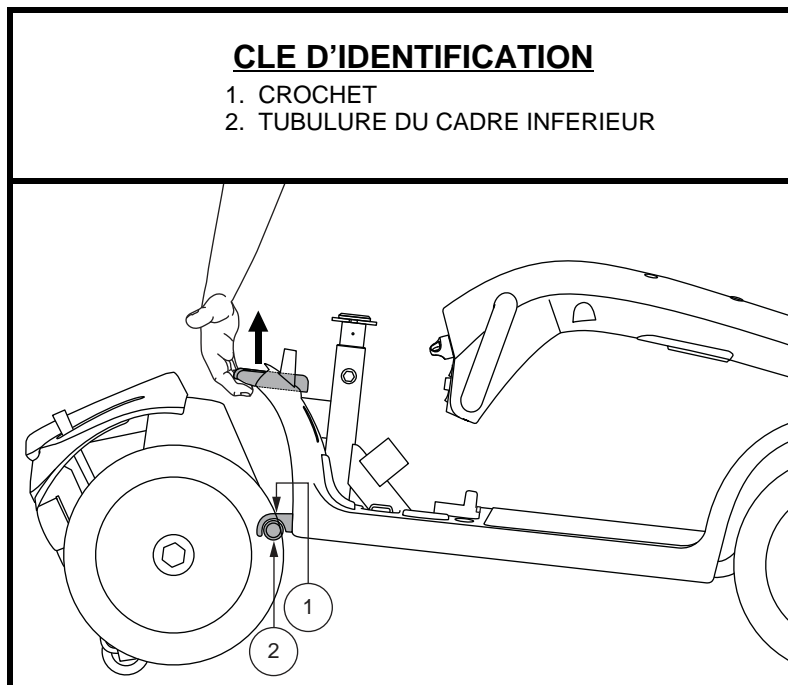


Figure 23. Levier de blocage du cadre

## VII. PROBLEMES ET SOLUTIONS

Tout appareil électronique nécessite un entretien régulier. Souvent, lorsque des problèmes surviennent, le gros bon sens règle la plupart d'entre eux. De plus, plusieurs problèmes sont causés par des batteries défectueuses ou insuffisamment chargées.

### DIAGNOSTIQUE PAR CODE DE KLAXONNEMENT

Ce type de diagnostic est prévu pour vous aider à identifier les problèmes possibles avec votre scooter. Le voyant lumineux clignotera en séquence codée selon le tableau ci-dessous pour identifier un problème. Voir les figures 24 ou 25.

**NOTE:** *Votre scooter ne fonctionnera pas tant que la condition qui crée ce code de klaxonnement n'est pas résolue et que votre scooter a été éteint puis rallumé.*

CODES	PROBLEMES	SOLUTION
■ (1)	Battery faibles.	Rechargez les batteries dès que possible.
■ ■ (2)	Battery trop faibles.	Rechargez les batteries.
■ ■ ■ (3)	Voltage trop élevé pour le fonctionnement ou le chargeur est encore branché au réceptacle.	Débranchez le chargeur, coupez le contact et rétablissez-le.
■ ■ ■ ■ (4)	Coupe-circuit automatique engagé.	Coupez le contact pendant quelques minutes puis, rétablissez-le.
■ ■ ■ ■ ■ (5)	Le levier d'embrayage est en position débrayé (vers l'avant).	Coupez le contact (retirez la clé) poussez le levier d'embrayage vers l'arrière (embrayé) et remettez le contact.
■ ■ ■ ■ ■ ■ (6)	Levier d'accélérateur n'est pas en position centrée lorsque lors de l'allumage.	Vérifiez si les batteries sont chargées complètement. Si elles le sont, alors remplacez le levier au centre, coupez le contact et rétablissez-le.
■ ■ ■ ■ ■ ■ ■ (7)	Potentiomètre de vitesse en panne.	Contactez votre détaillant autorisé pour obtenir de l'aide.
■ ■ ■ ■ ■ ■ ■ ■ (8)	Moteur en panne.	Contactez votre détaillant autorisé pour obtenir de l'aide.
■ ■ ■ ■ ■ ■ ■ ■ ■ (9)	Autres problèmes internes.	Contactez votre détaillant autorisé pour obtenir de l'aide.

Figure 24. Modèles avec tableau de bord

### Que faire si le scooter semble complètement "mort?"

- Assurez-vous que la clé de contact est bien insérée à fond.
- Vérifiez que les batteries soient pleinement chargées.
- Pesez sur le bouton du disjoncteur principal. Voir la section II. "Votre Scooter".
- Vérifiez la solidité des connexions des câbles de batteries et le câble des sections.
- Assurez-vous que le dispositif sauve énergie n'est pas activé. Voir la section IV. "Fonctionnement".

## VII. PROBLEMES ET SOLUTIONS

CODE	PROBLEMES	SOLUTION	MESSAGE D'ERREUR
1	Les batteries doivent être rechargées	Rechargez les batteries dès que possible.	N/A
2	Basse tension, les batteries doivent être immédiatement rechargées	Rechargez les batteries dès que possible.	BV   DE
3	Surtension	Débranchez le chargeur, coupez le contact et rétablissez-le.	HTENS
4	Surintensité	Coupez le contact pendant quelques minutes puis, rétablissez-le.	HCOUR
5	Défaillance du frein de stationnement	Coupez le contact (retirez la clé) poussez le levier d'embrayage vers l'arrière (embrayé) et remettez le contact.	FREIN
6	Levier d'accélérateur n'est pas en position centrée lorsque lors de l'allumage	Remplacez le levier au centre, coupez le contact et rétablissez-le.	GAZMA
7	Levier d'accélérateur cassé ou défaillance du levier d'accélérateur	Contactez votre détaillant autorisé pour obtenir de l'aide.	GAZMA
8	Défaillance du moteur	Contactez votre détaillant autorisé pour obtenir de l'aide.	MOTHS
9	Autre défaillance	Contactez votre détaillant autorisé pour obtenir de l'aide.	AUTRE

Figure 25. Modèles avec panneau de commande LCD

### Que faire si le scooter refuse de bouger lorsque j'appuis sur les accélérateurs?

- Lorsque le levier d'embrayage est en position poussée vers l'avant, les freins sont relâchés et le courant est complètement coupé.
- Poussez le levier d'embrayage vers l'arrière, coupez le contact du fauteuil puis remettez le contact pour rétablir le fonctionnement normal.

### Que faire si le disjoncteur saute à répétition?

- Si le disjoncteur principal saute continuellement, contactez votre détaillant autorisé.
- Rechargez vos batteries plus souvent. Voir la section III. "Batteries et recharge".
- Si le problème persiste, faites vérifier vos batteries par votre détaillant autorisé.
- Vous pouvez également tester vos batteries vous-même. Vous trouverez un appareil de test chez un détaillant de pièces automobiles. Suivez les instructions fournies avec l'appareil.
- Voyez la section III. "Batteries et recharge" ou la section "Specifications de Produit" pour les informations concernant les batteries de votre scooter.

### Que faire si l'aiguille de la jauge à batteries plonge et que le moteur hésite lorsque j'appuis sur l'accélérateur de mon scooter?

- Rechargez complètement vos batteries. Voir la section III. "Batteries et recharge".
- Faites tester vos batteries par votre détaillant autorisé.
- Ou référez-vous aux instructions ci-haut pour tester vos batteries vous-même.

Si vous rencontrez des problèmes que vous n'arrivez pas à résoudre vous-même, contactez votre détaillant autorisé pour obtenir des informations ou du service.

## VIII. SOINS ET ENTRETIEN

Votre scooter demande un minimum de soins. Si vous croyez ne pas posséder les connaissances et habiletés pour exécuter les consignes suivantes, vous pouvez les faire exécuter par votre détaillant autorisé. Les points suivants demandent un entretien périodique.

### PRESSION DES PNEUS – PNEUS GONFLABLES

- Si votre scooter est équipé de pneus gonflables, maintenez en tout temps la pression d'air psi/bar/kPa indiquée dans chaque pneu.



**MISE EN GARDE! Il est extrêmement important de maintenir en tout temps la pression d'air indiquée en psi/bar/kPa sur chaque pneu. Ne pas surgonfler ou sousgonfler les pneus sous peine de provoquer une perte de contrôle ou l'éclatement du pneu. Un pneu qui n'est pas gonflé en tout temps selon la pression psi/bar/kPa indiqué sur son flanc peut s'endommager ou endommager la jante de roue.**

- Inspectez régulièrement les pneus pour détecter les signes du dommage ou d'usure.

### SURFACES EXTERNES

Les pare-chocs et garnitures peuvent bénéficier d'une couche occasionnelle de protecteur à caoutchouc.



**MISE EN GARDE! Ne jamais appliquer de protecteur à caoutchouc sur la bande de roulement des pneus ou sur le siège de vinyle au risque de les rendre très glissants.**

### NETTOYAGE ET DESINFECTION

- Utilisez un linge humide sans agent abrasif pour nettoyer les surfaces de métal ou de plastique de votre scooter. Évitez les produits abrasifs qui abîmeront les surfaces de votre scooter.
- Au besoin, utiliser un produit désinfectant. Assurez-vous que le produit n'est pas dangereux avant de l'utiliser.



**MISE EN GARDE! Respectez les consignes d'utilisation du produit de nettoyage. Lisez les instructions avant d'utiliser le produit sous peine d'endommager le recouvrement et les finis ou de provoquer une irritation cutanée.**

### CONNEXIONS DES BORNES DE BATTERIES

- Assurez-vous que les branchements sont bien serrés et libres de corrosion.
- Les batteries doivent être bien à plat au fond des puits.
- Les bornes de la batterie doivent être orientées vers l'extérieur du scooter.

### CABLAGES ELECTRIQUES

- Vérifiez et inspectez les connexions et le câblage régulièrement.
- Inspectez régulièrement la gaine protectrice de fils et câbles incluant le cordon du chargeur à batteries.
- Faites réparer tous les câbles ou les fils endommagés par votre détaillant autorisé avant d'utiliser votre scooter.



**INTERDIT! Même si votre scooter a réussi un test de résistance à l'humidité, éloignez-le des sources d'humidité ou de liquide tel que l'eau de lavage et l'incontinence. Inspectez régulièrement les composantes pour déceler la corrosion.**



**MISE EN GARDE! Ne tirez pas directement sur les câbles pour les détacher du scooter. Il faut toujours prendre le connecteur pour détacher le câble afin d'éviter les dommages.**

## VIII. SOINS ET ENTRETIEN

### REPLACEMENT D'UNE ROUE

Si votre scooter est équipé de pneumatiques et que vous avez une crevaison, le tube peut-être remplacé. Contactez votre détaillant autorisé pour de plus amples informations au sujet des pneus de remplacement pour votre scooter.

**MISE EN GARDE! Seulement votre un technicien spécialisé doit réparer les roues de votre scooter.**



**MISE EN GARDE! Assurez-vous de retirer la clé du contact et de vérifier que le scooter est bien embrayé avant de faire cette procédure.**

**MISE EN GARDE! Lors du remplacement d'une roue, dégonflez-le COMPLÈTEMENT d'abord sous peine de le faire exploser.**

Procédez selon les étapes suivantes pour réparer les pneus à âme pleine et gonflables en toute sécurité:

1. Enlevez la clé du contact et assurez-vous le scooter n'est pas en mode roue libre.
2. Élevez le côté du scooter sur lequel vous désirez enlever le pneu. Placez des cales de bois sous la structure du scooter pour l'élever.
3. Si vous remplacez le tube, dégonflez le pneu **complètement** avant de le retirer du moyeu.
4. Retirez les écrous de roue du moyeu. **Voir la figure 26.**
5. Retirez la roue motrice de l'axe.
6. Retirez les écrous et rondelles afin de séparer les moitiés de jante. **Voir la figure 27.**
7. Enlevez l'ancien tube des pneus gonflables et remplacez-les par un nouveau tube.
8. Revissez les deux sections de jante ensemble sur le pneu.
9. Glissez la nouvelle roue en place.
10. Réinstallez les écrous sur l'essieu et serrez bien.



**MISE EN GARDE! Assurez-vous de bien réinstaller la rondelle et l'écrou avant de serrer correctement.**

11. Gonflez les pneus à la pression en psi/bar/kPa indiquée dans chaque pneu.
12. Retirez les cales sous le scooter.

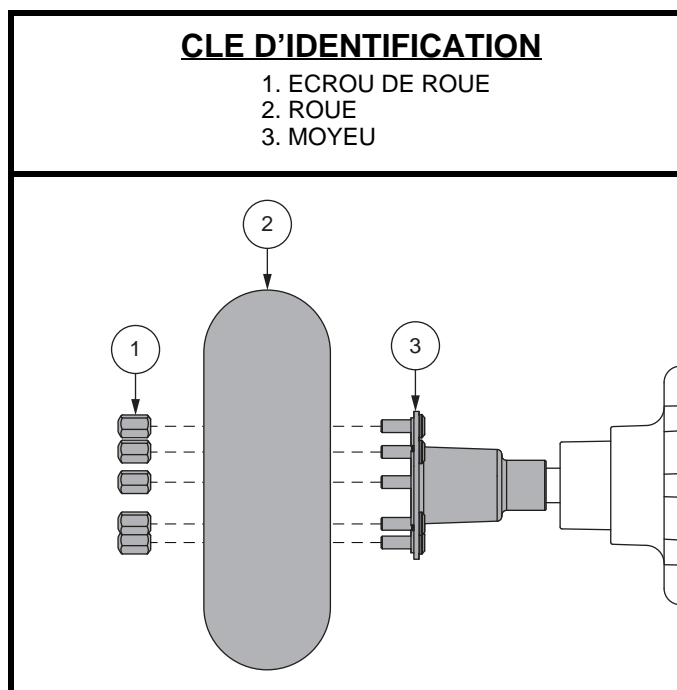


Figure 26. Enlèvement de la roue motrice

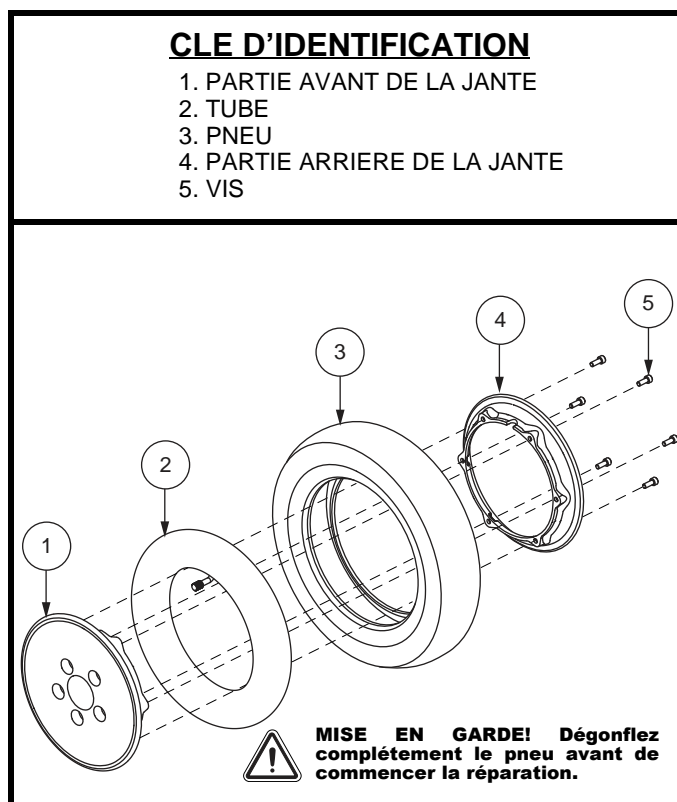


Figure 27. Roue pneumatique motrice démontée/montée

## VIII. SOINS ET ENTRETIEN

### CAPOTS

- Le capot du guidon, le capot avant et le capot arrière sont protégés par une peinture à base d'uréthane.
- Une couche occasionnelle de cire automobile peut en protéger l'éclat.

### ROULEMENTS A BILLE ET MODULE MOTEUR/TRANSMISSION

Ces pièces sont scellées à l'usine et ne requièrent aucune lubrification.

### BROSSES DU MOTEUR

Celles-ci sont à l'intérieur du module moteur/transmission. Faites-les inspecter par votre détaillant autorisé périodiquement.

### CONSOLE, CHARGEUR ET MODULE DE COMMANDES ELECTRONIQUES

- Protégez-les de l'humidité.
- Si une de ces composantes venait à être exposée à de l'humidité, laissez sécher votre scooter complètement avant de l'utiliser à nouveau.

### COUSSINETS DE FREINS

Les coussinets de freins de votre scooter doivent être inspectés périodiquement. Lorsque l'usure abaisse l'épaisseur des coussinets à 2 mm ou 1/16ième de pouce d'épaisseur, ceux-ci doivent être remplacés, Les coussinets doivent être tous remplacés en même temps. Contactez votre détaillant autorisé pour de plus amples informations ou pour les faire remplacer.

### REPLACEMENT D'UN FUSIBLE

**Dans l'éventualité où un fusible venait à brûler:**

1. Retirez le fusible de sa fente en tirant dessus.
2. Examinez-le pour vérifier s'il est brûlé. **Voir la figure 28.**
3. Insérez un nouveau fusible de résistance adéquate.



**MISE EN GARDE! Le nouveau fusible doit être identique à celui que vous devez remplacer sous peine d'endommager le système électrique.**

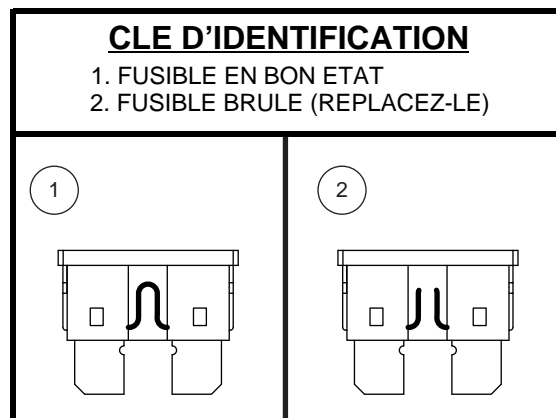


Figure 28. Le remplacement des fusibles

## VIII. SOINS ET ENTRETIEN

### REPLACEMENT D'ECROU AUTOFREINE EN NYLON

Tout écrou autofreiné en nylon retiré pendant l'entretien périodique, la réparation, le montage ou le démontage du scooter doit être remplacé par un neuf. Les écrous de nylon ne doivent pas être réutilisés car ceux-ci peuvent se desserrer et entraîner un danger. Des écrous de remplacement en nylon sont disponibles dans les quincailleries ou chez votre détaillant autorisé.

### ENTREPOSAGE DE VOTRE SCOOTER

Si vous pensez ne pas utiliser votre scooter pour une période prolongée:

- Rechargez les batteries complètement avant d'entreposer votre scooter.
- Débranchez les batteries du scooter.
- Entrez votre scooter dans un endroit sec à l'abri du gel.
- Évitez d'entreposer votre scooter dans un endroit exposé à des températures extrêmes.
- Température de stockage recommandée: -40°C/-40°F to 65°C/149°F.



**MISE EN GARDE! Si les batteries de votre scooter venaient à geler, ne tentez pas de les recharger. Une batterie gelée doit être laissée dans un endroit tempéré plusieurs jours avant d'être rechargée.**

Des batteries qui sont souvent déchargées trop profondément, rechargées de manière infrequente, entreposées sous des températures extrêmes ou insuffisamment chargées peuvent être endommagées de façon permanente. Ces batteries auront de piètres performances et durent moins longtemps. Il recommande de recharger les batteries de votre scooter de façon périodique pendant l'entreposage prolongé afin de protéger leurs performances futures.

Afin de protéger les pneus pendant l'entreposage, placez des cales de bois sous le scooter de manière à ce que les pneus ne soient pas en contact avec le sol. Ceci évitera la déformation de la semelle.

### COMMENT DISPOSER DE VOTRE SCOOTER

Vous devez disposer de votre scooter en respectant les règlements en vigueur dans votre localité. Contactez votre centre de recyclage ou votre détaillant autorisé pour les informations pour la mise au rebut de l'emballage, des composants métalliques, plastiques, électroniques, batteries, néoprène, silicone, et les matériaux de polyuréthane.

# NOTES





MONTAGE



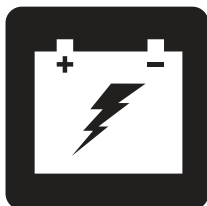
GEBRUIK



INSTELBAARHEID



ONDERHOUD



ACCU'S EN HET LADEN




# SERIE VA VOL-FORMAAT SCOOTMOBIELEN

## GEBRUIKSHANDLEIDING

---

# FUNCTIETABEL VAN SCOOTER

Modellen	Stijl van bedieningspaneel		Stijl van frame (Montage/Demontage)		Anti-Kiepwiel	Opties*			Hoofd stroomonderbreker (Typo)		
	A	B	1-delig frame	2-delig frame	Inclusief	Hoog-Laag schakelaar	Handremhendel	Ophanging van stoelpepen	Reset knop	Instelhendel	Automatische reset
											
613	•	•		•	•	•	•	•	•		
614	•	•	•		•	•				•	•
713	•	•		•	•	•	•	•	•		
714	•	•	•			•	•			•	•

**\*LET OP: De opties per scootermobiel verschillen per land. Neem contact op met uw leverancier om vast te stellen welke opties er beschikbaar zijn voor uw scooter.**

**LET OP:** Zorg ervoor dat u het modelnummer van uw scootermobiel weet. Dit nummer bevindt zich op het blad met de productspecificaties in uw eigenarenpakket. In deze handleiding voor eigenaren worden de kenmerken van scootermobielen aangegeven per modelnummer (uiterste linkerkolom op de functietabel van de scootermobiel). Aan de hand van het modelnummer van uw product kunt u bepalen welke unieke kenmerken uw specifieke scootermobiel bezit.

## BEOOGD GEBRUIK

Het beoogde gebruik van het product is het bieden van mobiliteit aan personen die zijn beperkt tot een zittende positie en die in staat zijn een Scootmobiel te bedienen.

## MET BETREKKING TOT APPARATEN VOORGESCHREVEN GEBRUIK



**PAS OP!** Onder de federale wetgeving mag dit apparaat uitsluitend verkocht worden door of op voorschrift van een arts of ander bevoegd personeel met een wettelijke licentie, van de staat (uitsluitend in de VS) of de regio waar dit personeel werkzaam is, om dit apparaat te gebruiken of voor te schrijven.

**OPMERKING:** Deze eigenaars handleiding is samengesteld uit de laatste specificaties en product informatie op de tijd van publicatie. Wij behouden het recht om veranderingen aan te brengen wanneer nodig. Enige veranderingen aan onze producten kunnen geringe verschillen tussen de illustraties en de verklaringen in deze handleiding tot stand brengen en het product welk u gekocht heeft. De meest recente/huidige versie van deze handleiding is via onze website verkrijgbaar.

**LET OP:** Dit product voldoet aan richtlijnen en vereisten van WEEE, RoHS en REACH.

**LET OP:** Dit product voldoet aan IPX4 classificatie (IEC 60529).

**LET OP:** De scooter en de bijbehorende onderdelen zijn niet vervaardigd met natuurlijke rubberlatex. Raadpleeg de fabrikant met betrekking tot eventuele onderdelen en/of accessoires.



# INHOUD

<b>VEILIGHEIDSVOORSCHRIFTEN</b> .....	83
<b>I. VEILIGHEID</b> .....	84
<b>II. UW SCOOTMOBIEL</b> .....	87
<b>III. ACCU'S EN HET LADEN</b> .....	99
<b>IV. GEBRUIK</b> .....	106
<b>V. INSTELBAARHEID</b> .....	108
<b>VI. DEMONTAGE EN MONTAGE</b> .....	112
<b>VII. HET OPLOSSEN VAN PROBLEMEN</b> .....	114
<b>VIII. VERZORGING EN ONDERHOUD</b> .....	116

## VEILIGHEIDSVOORSCHRIFTEN



**WAARSCHUWING!** Het eerste afstellen van deze scooter en het uitvoeren van alle in deze handleiding gegeven procedures dient door een goedgekeurde Leverancier of een bevoegde monteur te geschieden.

Lees eerst deze handleiding en volg alle instructies op, voordat u van plan bent uw scooter voor het eerst te gaan gebruiken. De volgende symbolen zullen in deze handleiding worden gebruikt om waarschuwing en gevaar aan te geven.



**WAARSCHUWING!** Geeft een toestand of situatie aan die mogelijk gevaarlijk kan zijn. Indien de aangegeven procedures niet opgevolgd worden, kunnen hierdoor persoonlijke verwondingen, beschadiging van onderdelen, of storingen veroorzaakt worden. Op het product wordt deze afbeelding weergegeven als een zwart symbool op een gele driehoek met een zwart kader.



**VERPLICHT!** Deze handelingen dienen uitgevoerd te worden zoals is voorgeschreven. Indien verplichte handelingen niet uitgevoerd worden, kunnen hierdoor persoonlijke verwondingen en/of beschadiging van de apparatuur veroorzaakt worden. Op het product wordt deze afbeelding weergegeven als een wit symbool op een blauwe stip met een wit kader.



**VERBODEN!** Deze handelingen zijn verboden. Deze handelingen dienen op geen enkel ogenblik, of onder welke omstandigheden dan ook, uitgevoerd te worden. Indien een verboden handeling uitgevoerd wordt, kunnen hierdoor persoonlijke verwondingen, en/of beschadiging van de apparatuur veroorzaakt worden. Op het product wordt deze afbeelding weergegeven als een zwart symbool met een rode cirkel en een rode schuine streep.

# I. VEILIGHEID

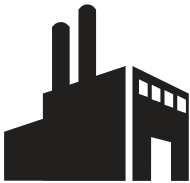
## PRODUCT VEILIGHEID SYMBOLEN

De symbolen hieronder zijn gebruikt op de scootmobiel om waarschuwingen, verplichte handelingen, en verboden handelingen aan te geven. Het is van belang dat u deze leest en volkomen begrijpt.

**LET OP:** Er staan nog meer waarschuwingen en aanwijzingen in de veiligheidsgids voor consumenten die met uw scooter wordt geleverd. Zorg ervoor dat u op de hoogte bent van alle waarschuwingen en veiligheidsinformatie in de veiligheidsgids voor consumenten en raadpleeg deze informatiebron regelmatig.



**Lees en volg de informatie in de gebruikers handleiding.**



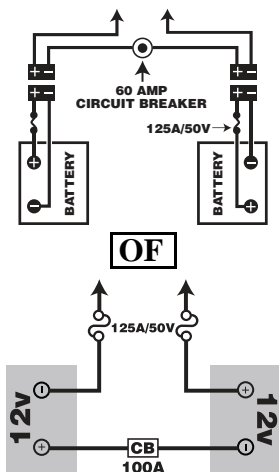
**Gefabriceerd in.**



**Duidt de bevestigingspunten aan op de scootmobiel.**



**Scootmobiel informatie etiket.**



**Accusetconfiguratie:**

**+ = Pluspool (rood)**

**- = Minpool (zwart)**

**Sluit de rode kabel op de rode pluspool (+) aan.**

**Sluit de zwarte kabel op de zwarte minpool (-) aan.**

# I. VEILIGHEID

## ALGEMEEN



**VERPLICHT! Voordat u voor het eerst uw scootmobiel gaat gebruiken dient u eerst deze handleiding volledig te lezen en te begrijpen en de veiligheidsgids voor consumenten.**

Uw scootmobiel is ontworpen om uw leven te vergemakkelijken en uw mobiliteit te vergroten. Wij leveren een groot aantal producten die het best tegemoetkomen aan de behoeften van de scootmobielgebruiker. Hou er rekening mee dat de uiteindelijke beslissing voor keuze en aankoop betreffende het type scootmobiel dat gebruikt gaat worden uiteindelijk de verantwoordelijkheid is van de scootmobielgebruiker en zijn/haar medische begeleider (zoals arts, fysiotherapeut etc.).

De inhoud van deze handleiding is gebaseerd op de verwachting dat een deskundige op het gebied van mobiliteitshulpmiddelen de scootmobiel heeft afgesteld naar de behoeften van de gebruiker en zorgvuldige gebruiksinstructies heeft gegeven aan de medische professioneel die dit product voorschrijft en/of de bevoegde Leverancier.

Er zijn bepaalde situaties, waaronder enkele medische omstandigheden, waarin de gebruiker in het bijzijn van een deskundige zal moeten oefenen. Dit kan een familielid zijn of een hulpverlener die speciaal getraind is in de begeleiding van een scootmobiel gebruiker bij diverse dagelijkse activiteiten.

In het begin zult u mogelijk situaties tegenkomen waarin u enige oefening nodig hebt. Neem hiervoor de tijd en u zult al snel volledig vertrouwd raken met uw scootmobiel in het manoeuvreren door deuropeningen, in en uit liften, hellingen op en af en over normale oppervlaktes.

Aanvullende algemene informatie kan gevonden worden op de extra informatiebladen en de brochures in uw eigenarenpakket. Lees alle informatie goed door en houd het bij de hand voor toekomstig gebruik.

Hieronder volgen enkele voorzorgsmaatregelen, tips en overige veiligheidsoverwegingen die bedoeld zijn om u bekend te maken met het veilig gebruik van uw nieuwe scootmobiel.

## VEILIGHEIDSTEST VOORAF

Maak uzelf vertrouwd met de scootmobiel en haar mogelijkheden. Wij adviseren om voor ieder gebruik een veiligheidscheck uit te voeren om er zeker van te zijn dat uw scootmobiel soepel en veilig functioneert.

### **Voer de volgende inspecties uit voordat u uw scootmobiel gaat gebruiken:**

- Controleer de bandendruk. Controleer dat zij niet beschadigd of overmatig versleten zijn.
- Controleer alle elektrische verbindingen. Verzeker u ervan dat ze goed vast zitten en niet geoxideerd zijn.
- Controleer alle harnas verbindingen. Verzeker u ervan dat ze en de goede werking vast zitten.
- Controleer de remmen om te zorgen dat zij naar behoren functioneren.
- Controleer de accumeter ter garantie dat de accu's volledig geladen zijn.
- Zorg ervoor dat de handmatige vrijloophendel zich in rijmodus bevinden, voordat u op de Scootmobiel gaat zitten.

Constaateert u een probleem, neem dan contact op met uw Leverancier. Raadpleeg het inlegblad met contact informatie in uw eigenarenpakket.

# I. VEILIGHEID

## REMMEN

Uw Scootmobiel is uitgevoerd met sterke remsystemen:

- Regenererend: gebruikt elektrische energie om snel af te remmen wanneer de gashendel in de neutraal/stopstand wordt gezet en.
- Motorrem zorgt voor automatische blokkering nadat de Scootmobiel bijna tot stilstand is gebracht, of wanneer om wat voor reden dan ook de energie wegvalt.
- (Optioneel) Handremhendel: Deze hendel biedt de mogelijkheid om een noodstop uit te voeren. Zie II. "Uw Scootmobiel."

## DE HANDREMHENDEL (OPTIONEEL — MODELEN 613, 713 EN 714)

Deze hendel bevat hydraulische vloeistof. Wanneer de hendel is ingedrukt, dan wordt deze vloeistof door de remkabel gestuwd, om de remschoen tegen de remschijf te drukken. De handremhendel is een volledig afgesloten eenheid, wat betekent dat de hydraulische vloeistof niet zou mogen lekken. Er zijn echter bepaalde veiligheidsmaatregelen die men kan treffen indien deze hendel barst of beschadigd wordt.

- Raak vooral geen gelekte vloeistof aan, tenzij u een beschermende uitrusting draagt, zoals een veiligheidsbril en handschoenen.
- Indien slechts een kleine hoeveelheid vloeistof gelekt is, bedek het dan met droge aarde, zand of een ander niet-ontvlambaar, absorberend materiaal. Eenmaal alle vloeistof is opgenomen, berg alles op in een plastic zak en neem contact op met uw lokale afvalverwijderingsagentschap, die u perfect kunnen uitleggen hoe dit afval te verwijderen. Werp dit afval in geen geval in rivieren of riolen.
- Indien uw ogen blootgesteld zijn aan deze vloeistof, verwijder dan uw contactlenzen, indien u die heeft. Spoel uw ogen met fris, zuiver water onder lage druk, terwijl u van tijd tot tijd uw oogleden knippert. Raadpleeg uw dokter indien uw ogen teveel of te lang rood blijven, pijn doen of tranen produceren.
- Indien uw huid blootgesteld werd aan deze vloeistof, verwijder dan alle bevulde kledij. Verwijder alle vloeistof van uw huid, en was met zeep en water. Raadpleeg uw dokter indien de huid beschadigd lijkt of indien irritatie blijft duren. Bevulde kledij moet grondig gereinigd worden vooraleer u die opnieuw gebruikt en bevulde lederen kledij moet u weggooien.
- Indien u de vloeistof heeft ingeslikt, probeer dan niet over te geven en drink niets, tenzij een dokter u dat aanbeveelt. Dien nooit iets oraal toe aan een persoon die niet volledig bij bewustzijn is. Raadpleeg onmiddellijk uw dokter.
- Indien iemand de gassen van de vloeistof ingeademd heeft, breng die dan onmiddellijk in de frisse lucht. Indien deze persoon niet kan ademen, begin dan onmiddellijk mond op mond beademing. Indien ademen moeilijk gaat, dan moet 100% bevochtigde zuurstof toegediend worden door een competent persoon. Raadpleeg onmiddellijk uw dokter, terwijl u de getroffen persoon warm en kalm houdt.
- Indien de vloeistof brandt, dan moet u droge chemicalien, schuim, koolzuur of een waternevel gebruiken om de vlammen uit te doven.

**WAARSCHUWING! Onderneem geen pogingen om de handremhendel aan te passen of om de hydraulische vloeistof te vervangen. Indien iets verkeerd loopt, volg dan de veiligheidsmaatregelen zoals die hier aangegeven staan en neem contact op met uw geautoriseerde Pride Leverancier voor de vervanging van de handrem. De hydraulische handrem mag enkel door uw geautoriseerde Leverancier nagekeken of vervangen worden.**



**WAARSCHUWING! De handrem bevat een hydraulische vloeistof die een milde irritatie van de huid, de ogen, de neus en luchtwegen kan veroorzaken. Onderneem geen pogingen om de handrem aan te passen of na te kijken, zonder de nodige beschermende kledij te dragen, zoals een veiligheidsbril en handschoenen, en vergeet ook niet je handen te wassen nadat je dat gedaan hebt.**

## II. UW SCOOTMOBIEL

### BEDIENINGSPANEEL

Het bedieningspaneel bevat alle controles die u nodig heeft om uw Scootmobiel te bedienen, inclusief de snelheidsschakelaar, het sleutelcontact, de batterijmeter, de status LED, de signaalhoorn, richtingaanwijzers, contacten voor accessoires en de gaspedaal controle. Een aantal van de genoemde functies in dit hoofdstuk zijn optioneel en zijn mogelijk niet beschikbaar op uw scootmobiel. **Zie figuur 1.**

**LET OP:** Indien uw scootmobiel is uitgerust met een LCD-bedieningspaneel, ga dan verder naar de pagina van dit hoofdstuk die begint met **STUURKOLOMPANEEL: LCD-BEDIENINGSPANEEL.**

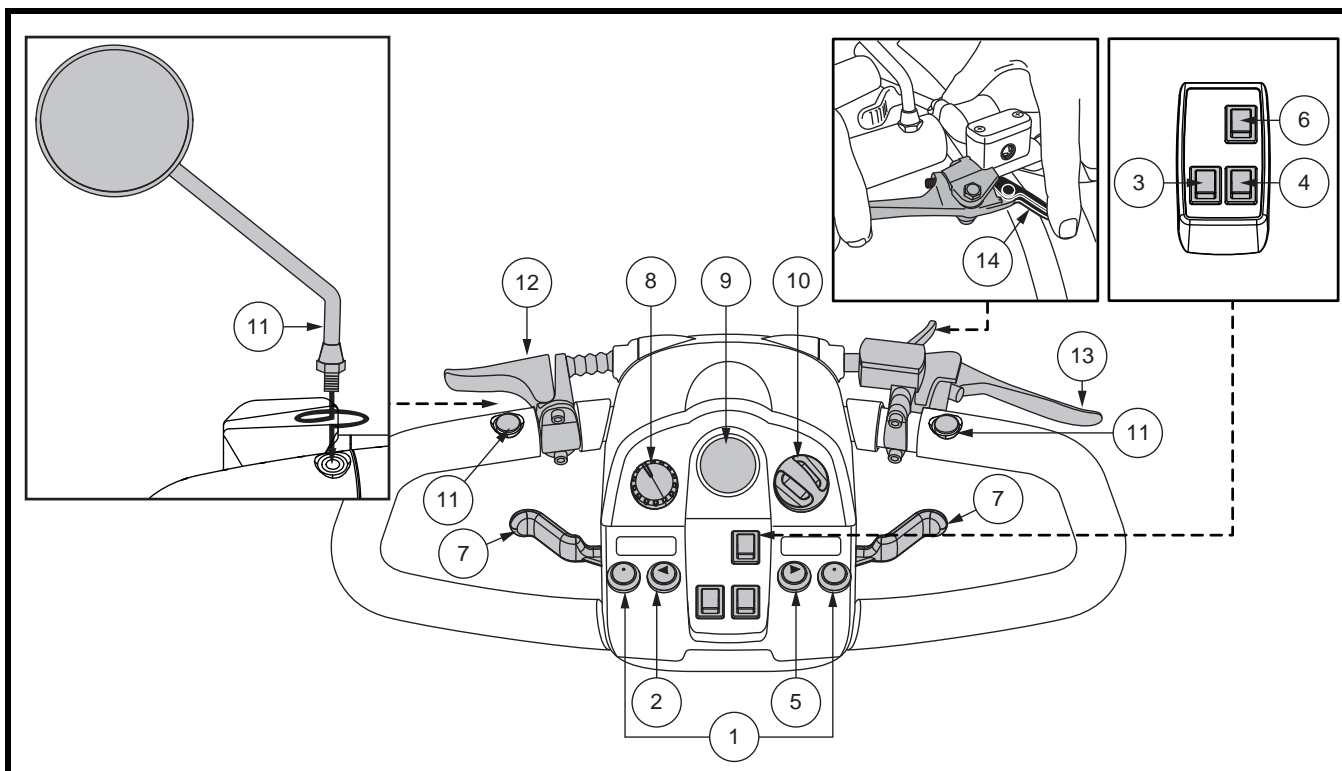


**VERBODEN!** Stel uw bedieningspaneel niet bloot aan vocht. Indien het toch wordt blootgesteld aan vocht, probeer dan uw scootmobiel niet te gebruiken voordat het paneel volledig is opgedroogd.

### IDENTIFICATIELIJST

- |   |                              |
|---|------------------------------|
| 1. CLAXON KNOP                            | 8. SNELHEIDSKIESSCHIJF       |
| 2. *RICHTINGAANWIJZER LINKS               | 9. BATTERIJMETER             |
| 3. *WAARSCHUWINGSKNIPPERLICHTENSCHAKELAAR | 10. SLEUTELSCHAKELAAR        |
| 4. LICHTENSCHAKELAAR                      | 11. SPIEGEL EN SPIEGEL PLUGS |
| 5. *RICHTINGAANWIJZER RECHTS              | 12. STUUR AANPASSINGS HENDEL |
| 6. *HOOG-LAAG SCHAKELAAR                  | 13. HANDREMHENDEL            |
| 7. GASHENDEL                              | 14. REMBLOK                  |

\*OPTIONELE ONDERDELEN ZIJN BESCHIKBAAR OP SOMMIGE MODELLEN



Figuur 1. Bedieningspaneel - Stijl A

## II. UW SCOOTMOBIEL

### Hoorn

Deze knop activeert de hoorn. Zorg dat de sleutel goed in de schakelaar zit. Pas dan kan de claxon functioneren. Aarzel niet uw hoorn te gebruiken in gevaarlijke situaties.

### Richtingaanwijzerknoppen ◀▶

Gebruik deze knoppen voor het inschakelen van de linker en rechter richtingaanwijzers (amberkleurig).

- Duw op de linkerknop om de linker richtingaanwijzer in te schakelen. De draaisignaal indicator in de batterijmeter gaat dan knipperen.
- Duw op de rechterknop om de rechter richtingaanwijzer in te schakelen. De draaisignaal indicator in de batterijmeter gaat dan knipperen.
- De richtingaanwijzers gaan na een zekere tijd automatisch uit.

### Lichtenschakelaar

Deze schakelaar bedient de lichten van uw scootmobiel.

- Druk de schakelaar naar voren om het lage koplicht aan te schakelen.
- Druk de schakelaar naar achter om het lage koplicht uit te schakelen.



**WAARSCHUWING! Scootmobielrijders zijn verplicht licht te voeren wanneer het zicht beperkt is—dag en nacht.**

### Gevaren Lichten Schakelaar

Deze schakelaar activeert de vier knipperlichten op uw scootmobiel.

- Druk de knipperlichtenschakelaar naar voren om de knipperlichten in te schakelen.
- Druk de knipperlichtenschakelaar naar achteren om de knipperlichten uit te schakelen.

### Hoog-Laag Schakelaar

Deze schakelaar regelt de snelheid van de scooter tussen HOOG en LAAG. Zet de schakelaar naar voren (Hi - Hoog) om de maximale voorgeprogrammeerde snelheid van de scootmobiel te bereiken. Zet de schakelaar naar achteren (Low - Laag) om de halve maximale voorgeprogrammeerde snelheid van de scootmobiel te bereiken.

### Gashendel

Deze hendels geven u de controle over de snelheid voor- en achteruit van uw Scootmobiel, met een maximum snelheid die u vooraf heeft ingesteld.

### Het vooruit rijden met uw scootmobiel kan op 2 manieren:

- Gebruik uw linkerduim om de linkerzijde van de gashendel in te drukken.
- Gebruik de vingers van uw rechterhand om de gashendel terug te trekken.

### Het achteruit rijden met uw scootmobiel kan op 2 manieren:

- Gebruik uw rechterduim om de rechterzijde van de gashendel in te drukken.
- Gebruik de vingers van uw linkerhand om de gashendel terug te trekken.

Laat de gashendel los en laat u uw scootmobiel eerst tot een complete stilstand komen voordat u de gashendel de andere kant op duwt. Wanneer de gashendel compleet losgelaten is, gaat zij terug naar de “nulpositie” en activeert daarmee de rem van uw scootmobiel.

### Snelheidsschakelaar

Deze schakelaar maakt het mogelijk de snelheid van te voren in te stellen.

- De afbeelding van de **schildpad** geeft de langzaamste stand aan.
- De afbeelding van de **haas** geeft de snelste stand aan.



## II. UW SCOOTMOBIEL

### Batterijmeter

Als u de sleutel in het contact steekt, zal deze meter bij benadering de batterijsterkte weergeven. Voor verdere informatie over het laden van de batterijen, zie III. "Accu's en het Laden" ervan.

### Toestand LED

Deze LED maakt u opmerkzaam op elektrische problemen die kunnen voorkomen met de scooter. De LED blijft constant opgelicht terwijl uw scooter aanstaat. Indien er zich een elektrisch probleem voordoet, dan zal deze LED een code doen oplichten. Zie VII. "Het oplossen van problemen" voor een lijst van codes.

### Sleutelschakelaar

- Steek de sleutel in contactslot en draai met de klok mee om de Scootmobiel in te schakelen.
- Draai de sleutel tegen de klok in en verwijder de sleutel om de Scootmobiel uit te schakelen.



**WAARSCHUWING!** Als u de sleutel "off" schakelt terwijl uw Scootmobiel in beweging is zullen de elektronische remmen automatisch inschakelen en uw Scootmobiel komt tot een abrupte stop.

### Plaatsen en afstellen van de spiegel

Voor informatie over het plaatsen en afstellen van uw spiegel, zie V. "Instelbaarheid."

### Verstelbare Stuurkolom

Voor informatie over het plaatsen en afstellen van de stuurkolom, zie V. "Instelbaarheid."

### Handremhendel

Deze hendel biedt de mogelijkheid om een noodstop uit te voeren. Wanneer je in beweging bent, dan laat je zachtjes de gashendel los en druk je tegelijkertijd zachtjes de handrem aan om te stoppen.

De handrem kan vastgezet worden en dus als parkeerrem gebruikt worden door de handremhendel volledig in te drukken en het remblok in te schakelen. **Zie figuur 1.** Om het remblok te ontkoppelen, druk de handrem weer volledig in.



**WAARSCHUWING!** De handrem is enkel bedoeld als noodrem en/of als parkeerrem.

### Stopcontact voor de externe acculader

De stroomdraad van de externe acculader is tijdens het opladen van de accu('s) in dit stopcontact gestoken. **Zie figuur 2.**

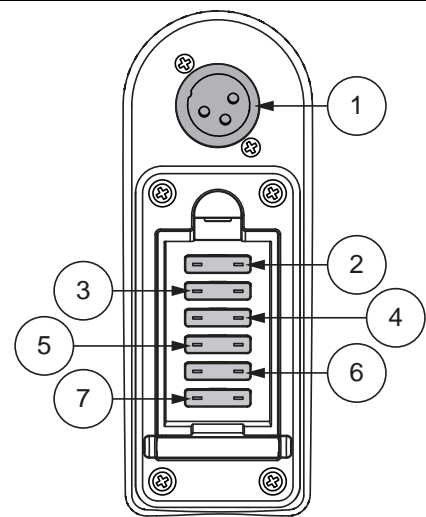
### Zekeringen van het elektrische systeem

Uw scootmobiel is uitgerust met een reeks zekeringen voor het elektrische systeem, die het externe acculaadsysteem, het contactslot en het verlichtingssysteem tegen overmatige elektrische stroom helpen beschermen. Deze zekeringen zijn van hetzelfde type als van auto's en ze bevinden zich in een compartiment aan de stuurstang. **Zie figuur 2.**

**LET OP:** Zorg ervoor dat alle elektrische items schoon en droog blijven.

### IDENTIFICATIELIJST

1. STOPCONTACT VOOR DE EXTERNE ACCULADER
2. ZEKERING: EXTERNE ACCULADER
3. ZEKERING: CONTACTSLOT
4. ZEKERING: ONDERSTE KOPLAMP
5. ZEKERING: ACHTERLICHTEN
6. ZEKERING: LINKER RICHTINGAANWIJZER
7. ZEKERING: RECHTER RICHTINGAANWIJZER



Figuur 2. Stopcontact voor de externe acculader/Stuurconsole zekeringen

## II. UW SCOOTMOBIEL

### STUURKOLOMPANEEL: LCD-BEDIENINGSPANEEL

Het stuurkolompaneel en het onderste gedeelte van de stuurkolom bevatten alle controles die nodig zijn om met uw scootmobiel te rijden, inclusief het LCD-bedieningspaneel, gashendels, sleutelschakelaar en de schakelaar van de gashendel. **Zie figuur 3.**



**VERBODEN! Stel uw bedieningspaneel niet bloot aan vocht. Indien het toch wordt blootgesteld aan vocht, probeer dan uw scootmobiel niet te gebruiken voordat het paneel volledig is opgedroogd.**

### Hoorn

Deze knop activeert de hoorn. Zorg dat de sleutel goed in de schakelaar zit. Pas dan kan de claxon functioneren. Aarzel niet uw hoorn te gebruiken in gevaarlijke situaties.

### Richtingaanwijzerknoppen

- Druk eenmaal op de gewenste richtingaanwijzer om die te activeren. Het licht voor de richtingaanwijzer zal oplichten op uw LCD scherm.
- Druk op dezelfde toets om uit te schakelen.

**LET OP:** De richtingaanwijzers zijn geprogrammeerd om na 15 seconden vanzelf uit te gaan. U zal een waarschuwingsbiep horen zolang de aanwijzer aanstaat. Zie figuur 5 voor volumecontrole.

### Lichtenknop

- Druk eenmaal op de lichttoets om de lichten te activeren. Het lichtsymbool zal oplichten op uw LCD scherm.
- Druk nogmaals op de lichttoets om de lichten opnieuw uit te schakelen.



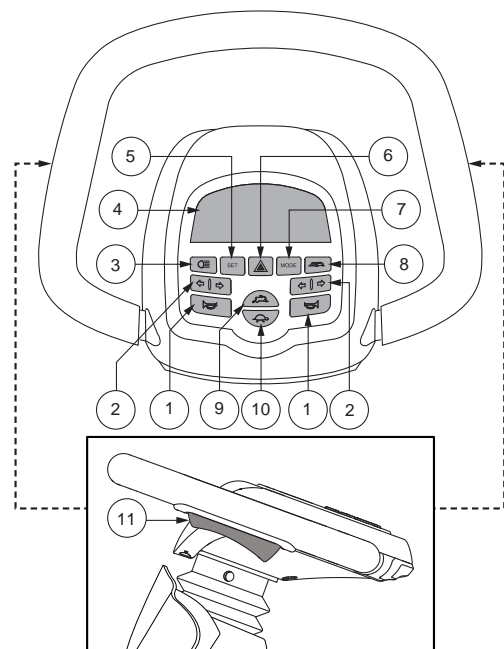
**WAARSCHUWING! Scootmobielrijders zijn verplicht licht te voeren wanneer het zicht beperkt is—dag en nacht.**

### Instelwaarden van uw LCD scherm en controlepaneel

Het LCD controlepaneel biedt gemakkelijk informatie aan via het LCD scherm. **Zie figuur 3.** Het LCD scherm wordt ook gebruikt tijdens de inschakeling (activatie) van de verscheidene instelwaarden van het controlepaneel.

### IDENTIFICATIELIJST

1. CLAXON KNOP
2. RICHTINGAANWIJZERKNOPPEN: LINKS EN RECHTS
3. LICHTEN KNOP
4. LCD SCHERM
5. INSTELLINGSTOETS (SET)
6. WAARSCHUWINGSKNIPPERLICHTENKNOP
7. FUNCTIETOETS (MODE)
8. HOOG-LAAG KNOP
9. SNELHEIDSAANPASSER (VERMINDEREN)
10. SNELHEIDSAANPASSER (VERHOGEN)
11. GASHENDEL



Figuur 3. LCD Controlepaneel - Stijl B

## II. UW SCOOTMOBIEL

### Gevaarslicht toets

Deze toets activeert de vier knipperlichten op uw scooter.

- Druk eenmaal op de toets om de knipperlichten te activeren.
- Druk nog eenmaal op de toets om de knipperlichten uit te schakelen.

*LET OP: Terwijl de 4 knipperlichten aanstaan zal u een waarschuwingsbiep horen, die pas uitgaat als de knipperlichten uitgaan. Zie figuur 5 voor volumecontrole.*

### Functietoets

Gebruik deze toets om te schakelen van snelheidsmeter naar tochtmeter, temperatuur en klok.

### De Hoog-Laag Toets

Deze toets regelt de snelheid van uw scooter tussen hoog en laag.

- Druk eenmaal op de **Hoog-Laag** toets om de snelheid naar boven aan te passen. Het Hoog-Laag licht zal op uw LCD scherm verschijnen. **Zie figuur 4.** Door deze instelwaarde te gebruiken tesamen met de toetsen om uw snelheid aan te passen, zal het voor uw scooter mogelijk maken om die maximum snelheden te halen die voor uw scooter zijn voorgeprogrammeerd.
- Druk nog eenmaal op de **Hoog-Laag** toets om de snelheid naar omlaag aan te passen. Het Hoog-Laag licht zal niet op uw LCD scherm oplichten. Door deze instelwaarde te gebruiken tesamen met de toetsen om uw snelheid aan te passen, zal het voor uw scooter mogelijk zijn om half zo snel te gaan als voor uw scooter als maximum is voorgeprogrammeerd.

### Snelheidstoetsen

Deze instellingstoetsen maken het u mogelijk om de snelheid van de scooter te voorselecteren en te limiteren, zoals dat aangegeven wordt door de maximum snelheidsaanwijzer op uw LCD scherm. **Zie figuur 4.**

- Druk op de **schildpad** om uw snelheid te verlagen.
- Druk op het **konijn** om uw snelheid te verhogen.

*NOTE: Hoe meer balken er verschijnen op de maximum snelheidsaanwijzer, hoe hoger de voorgeselecteerde maximum snelheid is. Zie figuur 4.*

### Gashendel

Deze hendels geven u de controle over de snelheid voor- en achteruit van uw scootmobiel, met een maximum snelheid die u vooraf heeft ingesteld. Een gashendel bevindt zich aan de onderkant van de linker- en rechterkant van de stuurhendel. **Zie figuur 3.**

#### Om achterwaarts te vooruit:

- Druk op de achterkant van de gashendel.

#### Om achterwaarts te bewegen:

- Druk op de voorkant van de gashendel.

Laat de gashendel los en laat u uw scootmobiel eerst tot een complete stilstand komen voordat u de gashendel de andere kant op duwt. Wanneer de gashendel compleet losgelaten is, gaat zij terug naar de “nulpositie” en activeert daarmee de rem van uw scootmobiel.

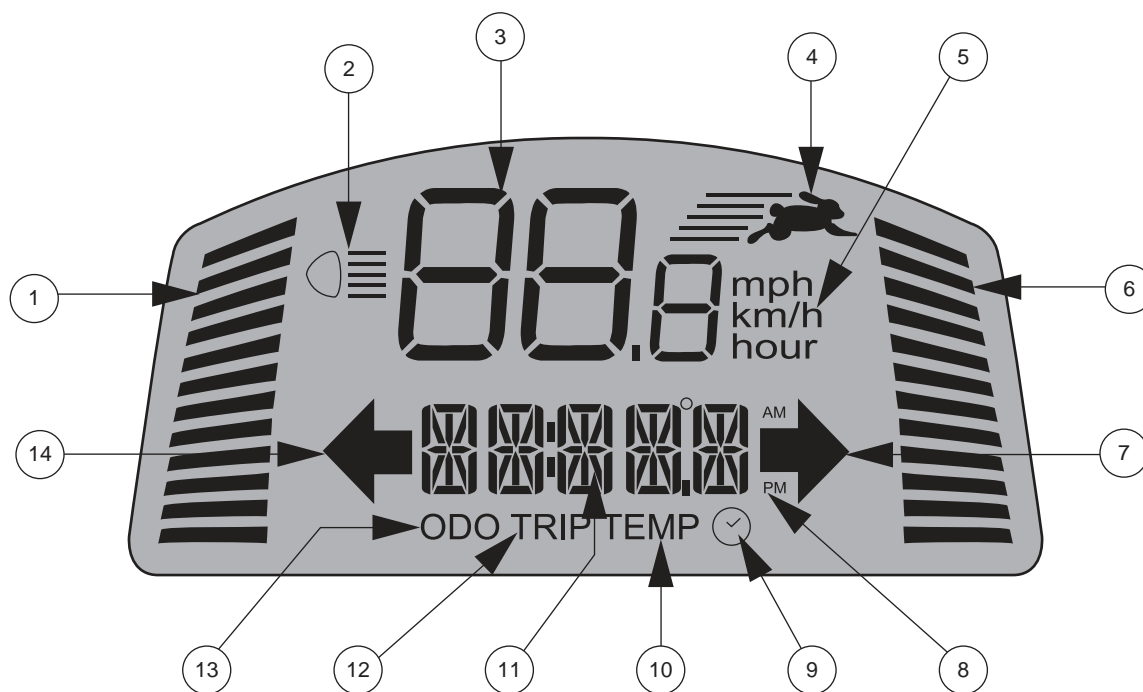
## II. UW SCOOTMOBIEL

### INSELWAARDEN VAN UW LCD SCHERM EN CONTROLEPANEEL

Het LCD controlepaneel biedt gemakkelijk informatie aan via het LCD scherm. **Zie figuur 4.** Het LCD scherm wordt ook gebruikt tijdens de inschakeling (activatie) van de verscheidene instelwaarden van het controlepaneel. **Zie grafiek 1.**

#### IDENTIFICATIELIJST

- |                               |                                      |
|-------------------------------|--------------------------------------|
| 1. BATTERIJTOESTAND AANWIJZER | 8. AM/PM                             |
| 2. LICHTAANWIJZER             | 9. HORLOGE                           |
| 3. SNELHEID/FOUTCODE/VOLUME   | 10. TEMPERATUUR                      |
| 4. HOOG/LAAG AANWIJZER        | 11. AFSTAND/TIJD/TEMP/FOUT BOODSCHAP |
| 5. EENHEIDSAANWIJZER          | 12. TOCHTMETER                       |
| 6. MAXIMUMSNELHEID AANWIJZER  | 13. SNELHEIDSMETER                   |
| 7. DRAAISIGNAAL INDICATOR     | 14. DRAAISIGNAAL INDICATOR           |



Figuur 4. LCD scherm


## II. UW SCOOTMOBIEL

### GRAFIEK MET INSTELLINGSINFORMATIE

OMGEVING	CODE	INFORMATIE
Kilometerteller	<b>ODO</b>	Meet mijl per uur, km/u en aantal uren gebruik. Duidt de totale afstand aan die afgelegd werd tijdens de levensduur van de scooter. (Kan niet opnieuw worden ingesteld)
Tochtmeter Functie	<b>TRIP</b>	Vertelt u de afstand van de laatste trip. Kan ten allen tijde terug op nul gezet worden
Temperatuur Functie	<b>TEMP</b>	Toont de temperatuur in °C of °F
Horloge Functie		Biedt weergave van tijd in 12 uur (AM/PM) of in 24 uur

Grafiek 1. Informatie over LCD-bedieningspaneel

Druk op **MODE** totdat de instelling die u wenst te wijzigen op het LED-scherm verschijnt. Houd vervolgens **SET** ingedrukt en volg de stappen voor uw instelling zoals aangegeven in **grafiek 2**.

	<b>ODO</b>	<b>TRIP</b>	<b>TEMP</b>	
<b>BEDIENING</b>	Druk op de knop <b>MODE</b> totdat de optie <b>ODO</b> verschijnt.	Druk op de knop <b>MODE</b> totdat de optie <b>TRIP</b> verschijnt.	Druk op de knop <b>MODE</b> totdat de optie <b>TEMP</b> verschijnt.	Druk op de knop <b>MODE</b> en houd deze ingedrukt totdat het kloksymbool op het scherm verschijnt.
<b>SELECTIE</b>	Druk op <b>SET</b> , houd dit ingedrukt en druk tegelijkertijd op de knop <b>MODE</b> totdat de instellingsoptie knippert. Druk op de knop <b>Set</b> om door de opties te bladeren.	Druk op <b>SET</b> , houd dit ingedrukt en druk tegelijkertijd op de knop <b>MODE</b> gedurende 2 seconden en laat dan los. Druk op <b>SET</b> en houd dit ingedrukt totdat Tripometer terug wordt gezet naar 0.0.	Druk op <b>SET</b> , houd dit ingedrukt en druk tegelijkertijd op de knop <b>MODE</b> totdat de instellingsoptie knippert. Blader door de opties (°C of °F) door op de knop <b>SET</b> te drukken.	Druk op <b>SET</b> , houd dit ingedrukt en druk tegelijkertijd op de knop <b>MODE</b> totdat het uurscijfer knippert. Gebruik de knop <b>SET</b> om het uur naar het juiste cijfer te laten oplopen. Ga door met gebruik van de knoppen <b>MODE</b> en <b>SET</b> voor het programmeren van de minuten en de AM/PM-instelling.
<b>UIT</b>	Als de gewenste optie knippert, druk op een knop behalve <b>SET</b> om het programma te verlaten.	Druk op een knop behalve <b>SET</b> om het programma te verlaten.	Als uw keuze knippert, druk op een knop behalve <b>SET</b> om het programma te verlaten.	Druk op een knop behalve <b>MODE</b> of <b>SET</b> om het programma te verlaten.

Grafiek 2. LCD bedieningspaneel Informatie

### Het opladen van de batterijen

Terwijl de batterijen aan het opladen zijn, zal het uurwerk en de aanwijzer van de conditie van de batterijen op het console opgelicht worden.

## II. UW SCOOTMOBIEL

### Aanwijzer van de conditie van de batterijen

Wanneer de scooter 'AAN' staat, zal het LED scherm een sterkte van de batterij bij benadering weergeven. Wanneer de batterijen van de scooter stilaan leeglopen, zal u eenmaal een waarschuwingsbiep horen, en dat duidt aan dat de batterijen moeten opgeladen worden. Deze waarschuwingsbiep zal niet opnieuw weerklinken totdat de scooter opnieuw is opgestart of de gashendel is ingedrukt.

### De LED die de maximum snelheid aanduidt

De LED die de maximum snelheid aanduidt, duidt die maximum snelheid aan die gekozen werd met de snelheidsaanpasser toets. Hoe meer balken opgelicht zijn, hoe hoger die snelheid. De maximum snelheid van de scooter wordt bepaald door de HOOG-LAAG instelwaarde, die de snelheid van de scooter tot de helft reduceert indien die waarde op LAAG staat. De eigenlijke snelheid zal op de snelheidswijzer van het LCD scherm aangeduid worden.

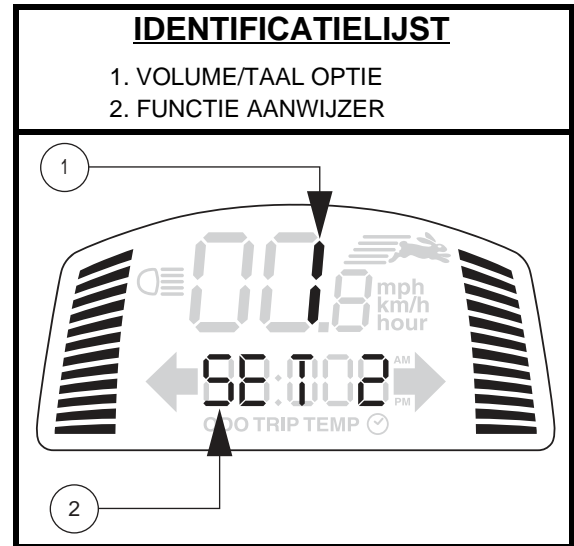
### Volume Controle

Het volume van de gevaarslichten, de hoorn, de lage batterij, richtingsaanwijzers en de bieps van de foutboodschappen kunnen afzonderlijk verhoogd, verlaagd of zelfs afgezet worden. **Zie figuur 5.**

### Om het volume in te stellen:

1. De scooter staat op 'UIT'.
2. Druk tegelijkertijd op de twee toetsen die u nodig heeft (**zie grafiek 3**), en zet uw scooter aan.
3. Eenmaal het scherm van de volumecontrole verschijnt, laat dan de toetsen los.
4. Druk op het konijn om het volume te verhogen en op de schildpad om het volume te verlagen (0 is af en 4 is het hoogste volume).
5. Druk op een willekeurige toets om het menu te verlaten, behalve de **schildpad** of het **konijn**.

**LET OP:** De taal voor de foutboodschap wordt op dezelfde manier ingesteld als het volume.



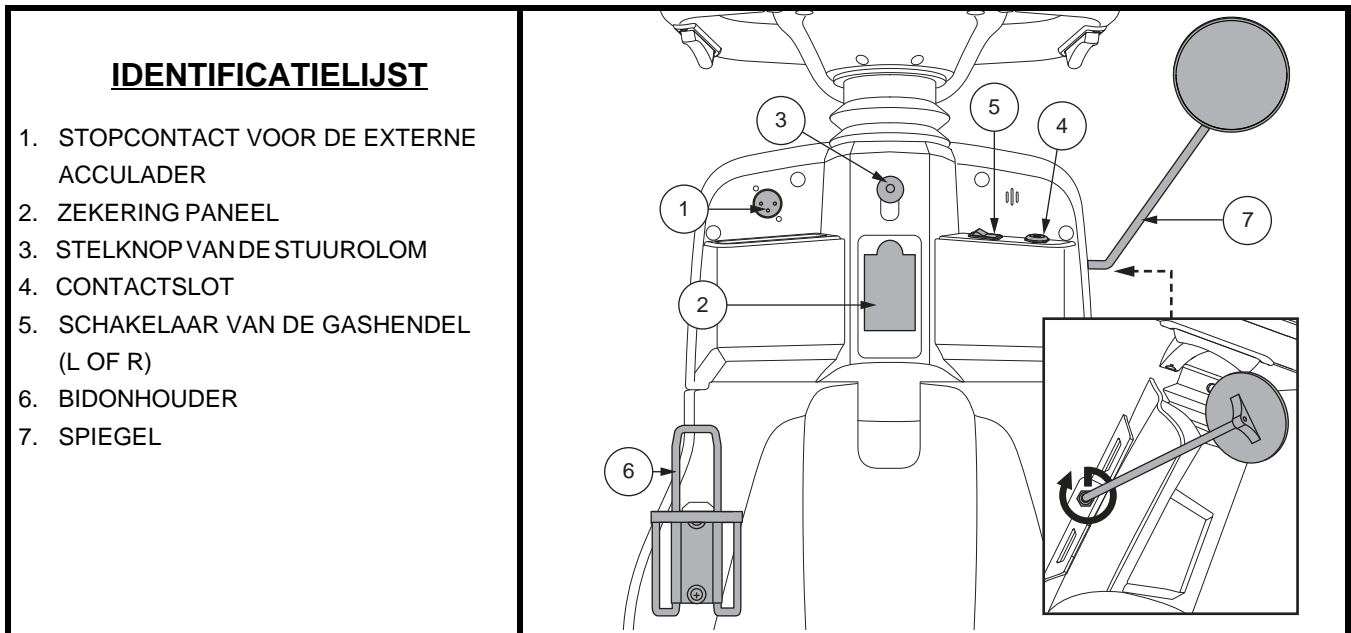
Figuur 5. Volume controle scherm

FUNCTIE	TOETSEN	FUNCTIEANWUZER
Gevaarslichten	SET + GEVAARSLICHTEN	SET 1
Hoorn	SET + HOORN	SET 2
Lage batterij	SET + LINKER RICHTINGSAANWIJZER	SET 3
Richtingaanwijzer	SET + RECHTER RICHTINGSAANWIJZER	SET 4
Foutboodschap Taal Keuze	SET + LICHTEN	SET 5 6 - Spaans 5 - Italiaans 4 - Frans 3 - Duits 2 - Nederlands 1 - Engels 0 - Sluit

Grafiek 3. Informatie over volumecontrole

## II. UW SCOOTMOBIEL

### ONDERKANT VAN DE STUURCONSOLE (uitsluitend beschikbaar op modellen 614 en 714)



Figuur 6. Onderkant van de stuurconsole

#### Stopcontact voor de externe acculader

De stroomdraad van de externe acculader is tijdens het opladen van de accu's in dit stopcontact gestoken. Het stopcontact voor de externe acculader bevindt zich in de onderkant van de stuurconsole. **Zie figuur 6.**

#### Zekeringen van het elektrische systeem

Voor informatie en een volledige beschrijving van het zekeringensysteem, **zie figuur 2.**

#### Stuur aanpassings hendel of stelknop van de stuurkolom.

Zie V. "Instelbaarheid."

#### Sleutelschakelaar

- Steek de sleutel in contactslot en draai met de klok mee om de scooter in te schakelen. **Zie figuur 6.**
- Draai de sleutel tegen de klok in en verwijder de sleutel om de scooter uit te schakelen.



**WAARSCHUWING!** Als u de sleutel "uit" schakelt terwijl uw scooter in beweging is zullen de elektronische remmen automatisch inschakelen en uw scooter komt tot een abrupte stop.

#### Schakelaar van de gashendel

Met deze schakelaar beslist u welke gashendel (links of rechts) zal functioneren. **Zie figuur 6.**

- Klik de schakelaar naar links om de linkergashendel te activeren.
- Klik de schakelaar naar rechts om de rechtergashendel te activeren.

**OPMERKING:** Er kan slechts één van beide gashendels tegelijkertijd functioneren.

#### Bidonhouder

De bidonhouder is bedoeld voor een plastic waterfles van standaardformaat. De waterfles houder kan worden geïnstalleerd op beide zijden van de scooter met de meegeleverde schroeven.

## II. UW SCOOTMOBIEL

### ONDERDELEN AAN DE ACHTERKANT

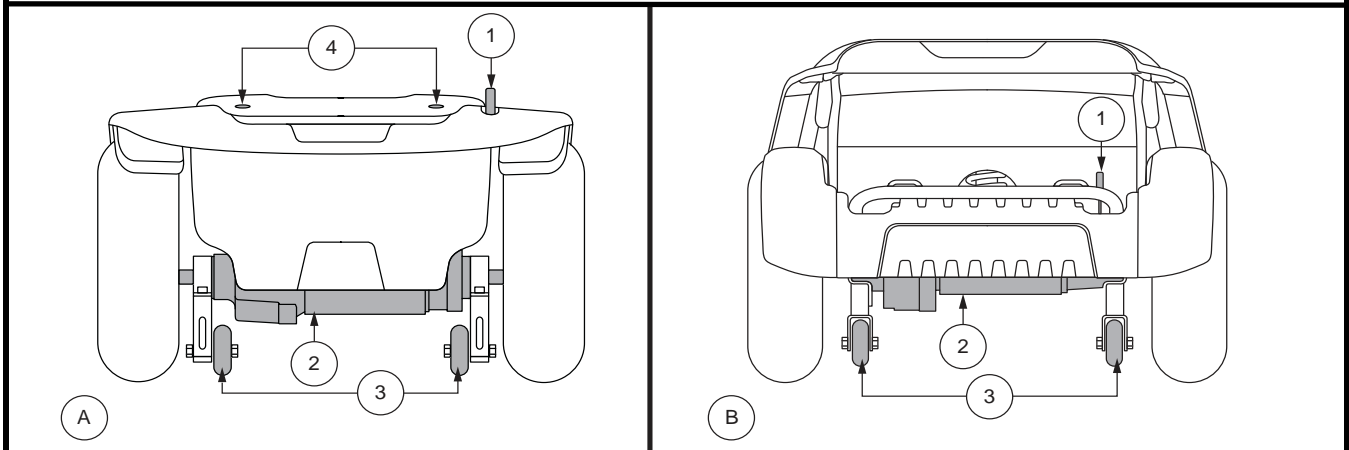
De handmatige vrijloophendel, anti-kiepwielen (inden hiermee uitgerust), en motor/transas-opbouw, en optionele beugel voor veiligheidsvlag bevinden zich op uw scootmobiel, zoals aangegeven. **Zie figuur 7.** Hoewel dit niet wordt getoond, bevinden de accu's en hoofdschakelaar (resetknop) zich ook op het achtergedeelte van uw scootmobiel.



**OPGELET! Verwijder de sleutel uit de sleutelschakelaar vooraleer u uw scootmobiel in of uit vrijlooptmodus te zetten. Ga nooit zitten op een scootmobiel die zich in vrijlooptmodus bevindt. Zet een scootmobiel nooit in vrijlooptmodus op een helling.**

#### IDENTIFICATIELIJST

1. HANDMATIGE VRIJLOOPHENDEL
2. MOTOR/TRANSAXLE OPBOUW
3. ANTI-KIEPWIELEN (inden hiermee uitgerust)
4. BEUGEL VOOR VEILIGHEIDSVLAG



Figuur 7. Onderdelen ann de achterkant

### Handmatig te Bedienen Vrijloophendel

Wanneer u uw scootmobiel een klein stukje wilt verplaatsen kunt u deze in de vrijloopt positie zetten.

1. Verwijder de sleutel uit de schakelaar.
2. Duw de handmatige vrijloophendel voorruit om het rij- en remsysteem te ontkoppelen. U kunt nu uw scootmobiel duwen.
3. Duw de handmatige vrijloophendel naar achteren om het rij- en remsysteem in te schakelen; hiermee haalt u uw scootmobiel uit de vrijlooptstand.

**WAARSCHUWING! Als u uw scootmobiel in de vrijloopt stand zet, zijn de remmen niet ingeschakeld.**



- Schakel de motoren enkel uit op een horizontaal oppervlak.
- Verzekeer u ervan dat de sleutel niet in het sleutelcontact zit.
- Ga naast de Scootmobiel staan om de vrijloopt in- of uit te schakelen. Zit nooit op de Scootmobiel om dit te doen.
- Nadat u uw Scootmobiel geduwd heeft, schakel dan altijd terug in rijstand om de remmen te blokkeren.

**LET OP:** Als de scootmobiel in vrijloopt stand is gezet terwijl de sleutel op de “aan” positie staat, zal de scootmobiel niet starten tot de vrijloophendel naar achteren is getrokken en de sleutel naar de “uit” positie en daarna weer naar de “aan” positie is geplaatst.

### Motor/Transaxle Opbouw

De motor/transaxel opbouw is een elektromechanische unit die de elektrische energie van de accu's omzet in de gecontroleerde mechanische energie die de wielen van uw scootmobiel aandrijft.



## II. UW SCOOTMOBIEL

### Anti-kiepwheels (Inden hiermee uitgerust)

De anti-kiepwheels zijn bedoeld voor uw veiligheid. Ze zijn aan het frame gelast op het achterste deel van uw scootmobiel.



**VERBODEN!** Haal de anti-kiepwheels er niet af of verander uw scootmobiel op geen enkele wijze zonder toestemming van Leverancier.



**WAARSCHUWING!** De anti-kiepwheels kunnen de vlotte overgang belemmeren van uw scootmobiel als u probeert een trottoir te bestijgen of af te dalen. Bel uw Leverancier voor assistentie/hulp.

### Accu's

De accu's bevatten de elektrische energie die uw scootmobiel aandrijft. Voor meer informatie over accu's, zie III. "Accu's en het Laden" ervan.

### Beugel voor veiligheidsvlag (Optioneel — Modellen 613/713)

Accessoirebeugels voor plaatsing van een optionele veiligheidsvlag zijn bevestigd aan de achterkant van de scootmobiel. Zie figuur 7.

### Installatie van de veiligheidsvlag:

1. Verwijder de dop van de bovenkant van de beugel.
2. Plaats de vlaggenstok in de opening.

### Hoofd Stroomonderbreker

Wanneer the stroom in de accu's laag wordt of de scootmobiel zwaar belast is door een buitensporig lading of een, kan de hoofdzekering doorslaan om de motor en de elektronica te beschermen tegen schade. Wanneer de zekering doorslaat, dan slaat het gehele elektrische systeem af. Zie figuur 8.

#### ■ Drie types:

1. De **instelhendel** springt automatisch naar beneden wanneer de zekering doorslaat.
2. De **reset knop** schiet naar boven wanneer de zekering doorslaat.
3. **Het type met automatisch herstel** zal zichzelf na ongeveer een minuut opnieuw instellen.

#### ■ Geef de electronica een minuut of zo "om te rusten."

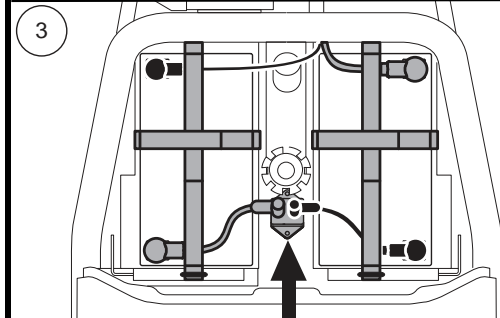
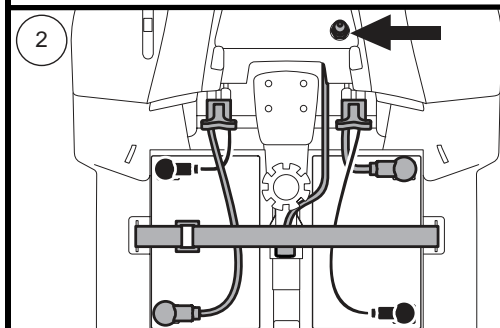
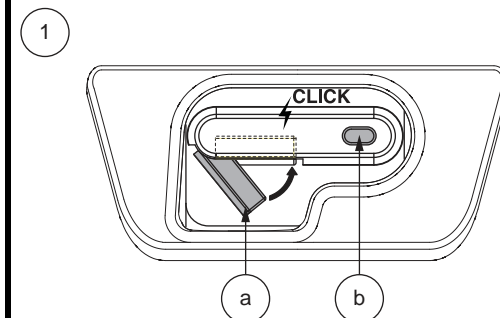
■ Hef de instelhendel terug omhoog totdat u een klik hoort, of vervolgens drukt u de knop van de hoofdzekering in.

■ Wanneer de hoofd stroomonderbreker herhaaldelijk losschiet, kan het zijn dat u uw accu's vaker dient op te laden. Ook zou het kunnen zijn dat u uw leverancier moet vragen de accu's te testen.

■ Indien de hoofd stroomonderbreker er herhaaldelijk uitspringt, dient u uw leverancier te bezoeken voor service.

### IDENTIFICATIELIJST

1. HENDELTYPE
  - 1a. instelhendel
  - 1b. handmatige uitschakelknop
2. RESETKNOP STIJL
3. AUTOMATISCHE RESETSTYLUS (MODELLEN 614 OF 714)



Figuur 8. Hoofdzekering

## II. UW SCOOTMOBIEL

**LET OP:** Indien u de scootmobiel voorbereidt voor transport of onderhoud, of er doet zich een situatie voor die vereist dat u het elektrisch systeem van de scootmobiel manueel afzet, druk dan op de knop die daarvoor dient en dat zal alle elektrische toevoer naar de scootmobiel afsluiten.

### VEILIGHEIDSMATREGELEN

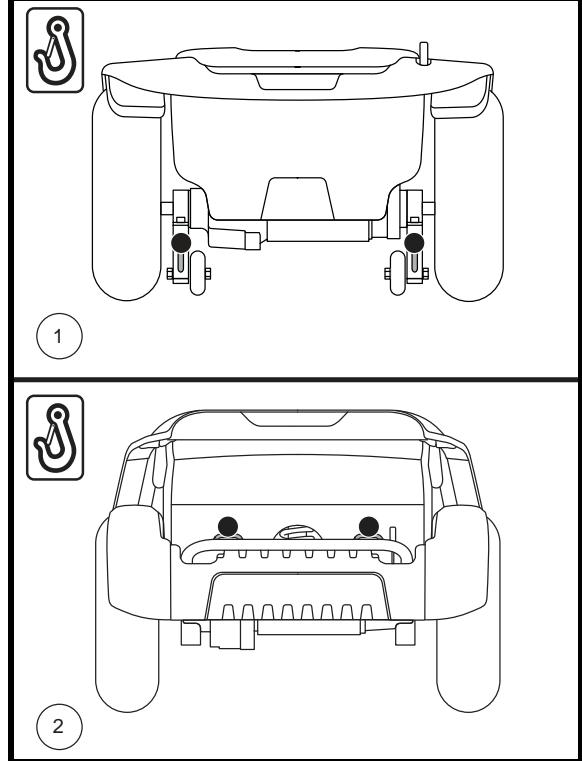
Zet de scootmobiel altijd vast in een voorwaartse positie in een voertuig. Maak de 4 riemen vast aan de daarvoorbestemde bevestigingspunten. Zie figuren 9 en 10. Maak de riemen vast genoeg zodat er geen speling meer op zit. Maak de riemen nooit vast aan aanpasbare, bewegende of verwijderbare onderdelen van de scootmobiel zoals daar zijn, de armleuningen, de kap en de wielen. Deze onderdelen zouden moeten verwijderd worden. De ankerpunten voor de riemen die de scootmobiel langs achteren moeten vastzetten, moeten direct achter de achterwaartse bevestigingspunten op de scootmobiel geplaatst worden. De ankerpunten vooraan moeten wijder zijn dan de scootmobiel om een groter laterale stabiliteit te verzekeren.



**WAARSCHUWING!** Verzekert u ervan dat de scootmobiel stevig is vastgemaakt aan het voertuig tijdens het transport. scootmobiel die niet stevig zijn vastgemaakt aan het voertuig, zijn een gevaar voor de gebruiker en andere passagiers in het voertuig in het geval van abrupt remmen, een ongeval of indien u scherp moet uitwijken, omdat de scootmobiel kan omvallen of van zijn plaats kan glijden.

### IDENTIFICATIELIJST

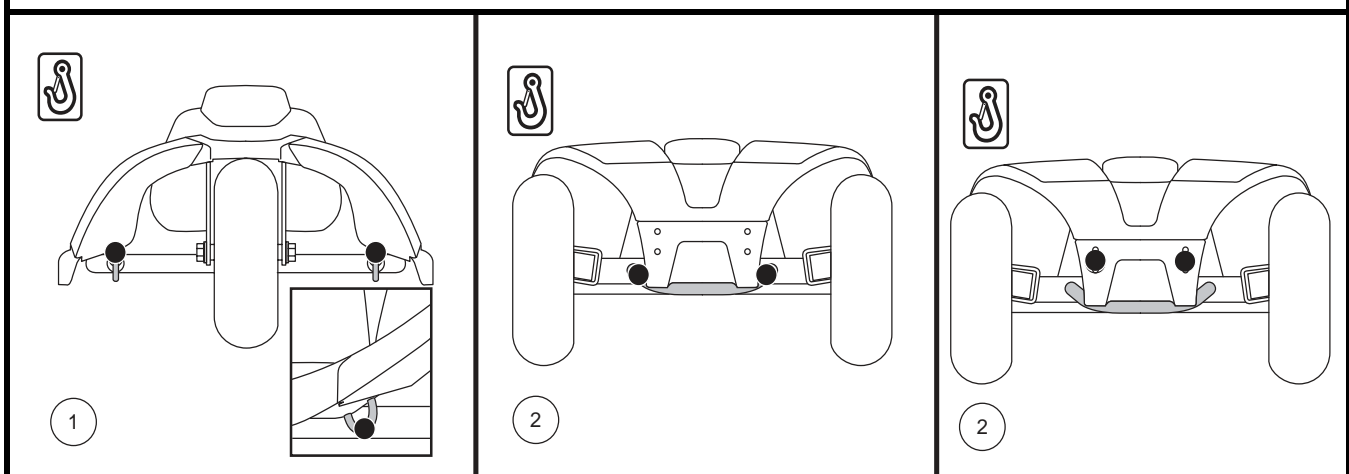
1. MODELLEN 613 EN 713
2. MODELLEN 614 EN 714



Figuur 9. Bevestigingspunten aan de achterzijde (Aangegeven met zwarte stippen)

### IDENTIFICATIELIJST

1. MODELLEN 3-WIEL
2. MODELLEN 4-WIEL



Figuur 10. Bevestigingspunten aan de voorzijde (Aangegeven met zwarte stippen)

# III. ACCU'S EN HET LADEN

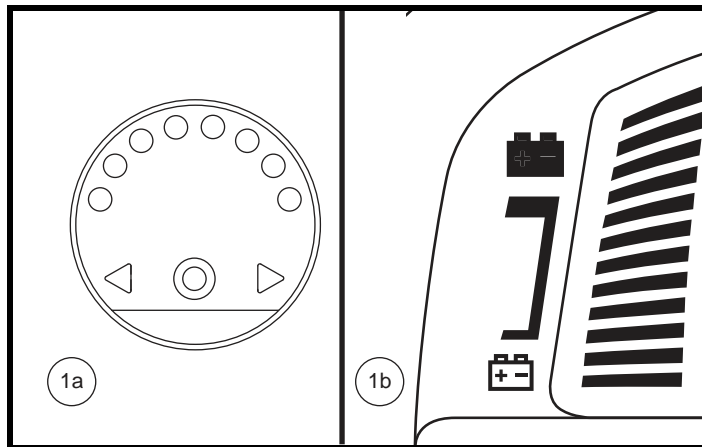
## ACCU'S EN HET LADEN

Uw scootmobiel heeft twee langdurende, 12-volt, deep-cycle batterijen nodig die afgesloten zijn en onderhoudsvrij. Ze worden opgeladen door de verstrekte extern laadsysteem.

- Laad de accu's van uw scooter minstens 8 tot 14 uur op, vóór het eerste gebruik.
- Laad de accu's op voordat u uw scootmobiel voor de eerste keer gaat gebruiken.

## HET LEZEN VAN UW ACCUVOLTAGE

De accu conditie meter op het bedieningspaneel geeft in kleurcodes een indicatie van de hoeveelheid energie in uw accu's. Van rechts naar links, groen; volledig geladen accu's, geel; afnemende lading, en rood; opladen dient onmiddellijk te gebeuren. **Zie figuur 11.** Om uw lading te controleren dient u eerst het laadsnoer uit het stopcontact te halen en uw scootmobiel aan te zetten. Raadpleeg voor modellen met het LCD-scherm het hoofdstuk 'Aanwijzer van de conditie van de batterijen' op pagina 94.



Figuur 11. Accu Conditie Meter

## ACCU'S OPLADEN



**VERBODEN!** Verwijdering van de aarding kan een elektrisch gevaar scheppen. Indien nodig, monteer adequaat een toegestane adaptor met drie contactpunten op een elektrisch contact met twee contactpunten.



**VERBODEN!** Gebruik nooit een verlengsnoer om uw batterijlader aan te sluiten. Sluit de batterijlader direct aan een standaard stopcontact in de muur.



**VERBODEN!** Sta niet toe dat kinderen zonder toezicht in de buurt van de scootmobiel spelen als de accu's worden geladen. We adviseren u aan, de accu's niet op te laden terwijl er iemand op de scootmobiel zit.



**VERPLICHT!** Lees de instructies van de acculader in deze gebruiksaanwijzing en in de gebruiksaanwijzing die bij de lader hoort voordat u de accu's gaat laden.



**WAARSCHUWING!** Explosieve gassen kunnen vrijkomen tijdens het laadproces van de accu's. Houd de scootmobiel en de acculader ver verwijderd van ontstekingsbronnen zoals vlammen of vonken en zorg voor voldoende ventilatie tijdens het laden van de accu's.

**WAARSCHUWING!** U moet de accu's van uw scootmobiel met behulp van de afzonderlijke meegeleverde acculader opladen. Gebruik geen acculader van het type dat voor automobielen gebruikt wordt.

**WAARSCHUWING!** Controleer de lader, de bedrading en de connectoren op schade vooraleer u de lader gebruikt en indien schade is toegebracht, contacteer uw Leverancier.



**WAARSCHUWING!** Probeer niet de accubehuizing te openen. Indien het er op lijkt dat de lader niet naar behoren werkt neemt u contact op met uw erkende Leverancier.

**WAARSCHUWING!** Indien de acculader is voorzien van koelopeningen dient u geen voorwerpen door deze openingen proberen te steken.

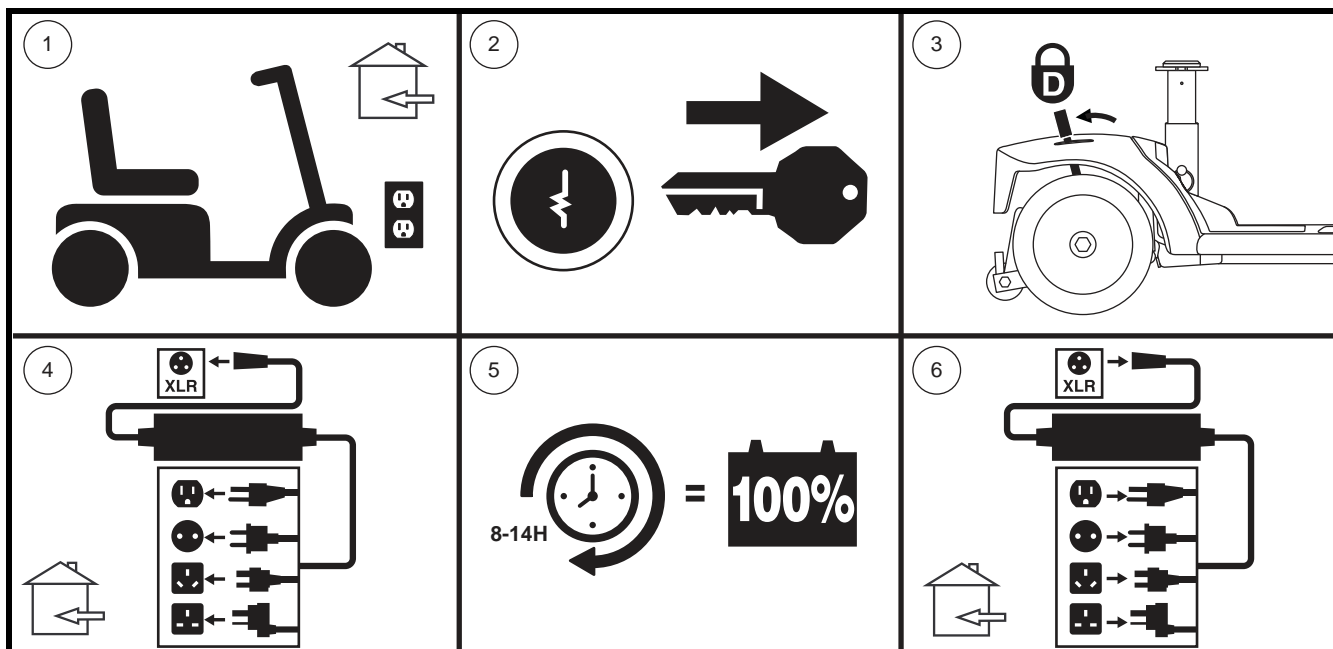
**WAARSCHUWING!** Wees u ervan bewust dat het omhulsel van de acculader kan verhitten tijdens het opladen. Vermijd contact met de huid en plaats het apparaat niet op oppervlakken die door hitte kunnen worden beïnvloed.

# III. ACCU'S EN HET LADEN



**WAARSCHUWING!** Indien uw losse acculader niet is getest en goedgekeurd voor gebruik buitenshuis, dient u deze niet bloot te stellen aan ongunstige of extreme weersomstandigheden. Als de acculader is blootgesteld aan ongunstige of extreme weersomstandigheden, dient u deze de gelegenheid te geven zich aan de nieuwe omgevingsomstandigheden aan te passen voordat u hem weer binnenshuis gebruikt. Neem de gebruiksaanwijzing van de acculader in acht voor verdere informatie.

Volg de 6 eenvoudige stappen om uw accu's veilig op te laden:



Figuur 12. Diagram voor laadprocedures voor accu's



**WAARSCHUWING!** De LED lichtjes op de lader geven verschillende stadia aan in het laadproces. Verwijder de oplader uit de contactdoos en neem contact op met uw Leverancier, indien de LED-verlichting niet binnen 24 uur aangeeft dat het opladen voltooid is. Kijk op de label op de lader voor een complete uitleg van de indicaties.

**LET OP:** Er zit een laad-blokkeringsfunctie op uw scootmobiel. Uw scootmobiel zal niet rijden en de accu conditiemeter zal niet werken terwijl de accu's worden opgeladen (als het accupak wordt geladen op de scooter).

## VEEL GESTELDE VRAGEN

### Hoe werkt de lader?

Wanneer uw scootmobiel's accu voltage laag is, werkt de lader harder, en zendt meer elektrische stroom naar de accu's om deze op niveau te brengen. Als het voltage een volle lading bereikt, zal de lader steeds minder en minder elektrische stroom naar de accu's sturen. Als de accu's volledig opgeladen zijn is de stroom die verstuurd wordt door de lader bijna nul ampère. Daarom, als de lader is aangesloten blijft er stroom op de accu's maar worden ze niet overladen. Voor oplaadinstructies: zie de handleiding die meegeleverd werd met de acculader.

### Kan ik een andere lader gebruiken?

Laders zijn zorgvuldig geselecteerd voor een bepaald doel, en zijn speciaal geschikt bevonden voor het type, formaat, en chemische samenstelling van de betreffende accu's. Voor de veiligste en meest efficiënte manier van laden van de accu's van uw scootmobiel wielen we u aan uitsluitend gebruik te maken van de lader die als een origineel onderdeel bij uw product werd geleverd. Iedere mogelijke methode waarbij de accu's afzonderlijk worden geladen is ten strengste verboden.

## III. ACCU'S EN HET LADEN

### Wat te doen als mijn accu's niet laden?

- Overtuig u er van dat de rode (+) en de zwarte (-) accu kabels correct zijn verbonden met de accupolen.
- Overtuig u er van dat beide uiteinden van de stroomtoevoer volledig zijn ingestoken.

### Hoe vaak moet ik de batterijen opladen?

Twee grote factoren moeten beschouwd worden wanneer u beslist hoe vaak u de batterijen moet opladen:

- Dagelijks gebruik van uw Scootmobiel.
- Sporadisch gebruik van uw Scootmobiel.

Met deze 2 factoren in gedachte kunt u vaststellen hoe vaak en hoe lang u uw batterijen moet opladen. Wij hebben de externe lader ontwikkeld zodat deze uw batterijen niet kan overladen. Echter, u kunt enige problemen tegenkomen als u uw batterijen niet vaak genoeg oplaadt en als u de batterijen niet regelmatig oplaadt. Hier volgen regels die u een veilige en betrouwbare batterij lading verzorgt.

- Als u uw Scootmobiel dagelijks gebruikt, laadt dan de batterijen op als u de Scootmobiel niet meer gebruikt aan het einde van de dag. Uw Scootmobiel zal elke morgen weer volledig opgeladen zijn voor uw dagelijks gebruik. Wij raden u aan dat u uw batterijen oplaadt voor op zijn minst 8 – 14 uur na elk dagelijks gebruik. Wij adviseren de accu 4 uur extra op te laden, nadat de batterijlader aangeeft dat het laden is voltooid.
- Als u uw Scootmobiel 1 keer per week of minder gebruikt, laadt dan de batterijen op voor op zijn minst 24 uur.

**LET OP: Houdt uw batterijen volledig geladen een vermijd diepe ontlading van uw batterijen. Voor oplaadinstructies: zie de handleiding die meegeleverd werd met de acculader. Wij adviseert de accu eenmaal per maand minstens 48 uur achter elkaar op te laden voor betere prestaties en een langere levensduur van de accu.**

### Hoe kan ik voor een maximale levensduur van de accu's zorgen?

Volledig geladen, diepe cyclus accu's zorgen voor een betrouwbare capaciteit en gaan langer mee. Houde accu's zoveel mogelijk volledig gevuld. Bescherm uw scootmobiel en accu's tegen extreme hitte of koude. Accu's die regelmatig diep ontladen worden, onregelmatig opgeslagen worden, opgeslagen worden onder extreme temperaturen, of opgeslagen worden zonder een volledige lading kunnen permanent beschadigd worden en daardoor een onbetrouwbare prestatie leveren en een beperkte levensduur hebben.

**LET OP: Zet de scooter altijd uit en verwijder de sleutel wanneer u de scootmobiel niet gebruikt, ter verlenging van de levensduur van de batterij.**

### Hoe kan ik de maximale afstand per lading bereiken?

Zelden zult u ideale rij-omstandigheden hebben, gladde, of harde rij-oppervlakten, geen tegenwind of bochten. Vaak zult u hellingen, stoepen, bochten, wind, oneffen en losse ondergrond tegenkomen. Al deze rij-omstandigheden hebben invloed op de afstand of rijtijd per batterijlading. Nu volgen enkele suggesties om de maximale afstand per batterijlading te kunnen bereiken.

- Laad altijd de batterijen de dag voor gebruik.
- Behoud maar overschrijdt niet de psi/bar/kPa luchtdruk zoals die op de luchtbanden aangegeven staat.
- Plan uw route om zoveel mogelijk hellingen, hobbelige of zachte ondergronden te voorkomen.
- Beperk uw bagagegewicht tot de noodzakelijke dingen.
- Probeer zoveel mogelijk een gelijke snelheid te houden als u op uw scootmobiel rijdt.
- Vermijd veel start- en stopsituaties, rij regelmatig.
- Wij adviseren!! de accu eenmaal per maand minstens 48 uur achter elkaar op te laden voor betere prestaties en een langere levensduur van de accu.

## III. ACCU'S EN HET LADEN

### Wat voor type en maat accu's moet ik gebruiken?

Wij raden aan om diep cycle accu's te gebruiken die gesloten zijn en zonder onderhoud. Allebei AGM en Gel-Cell zijn diep cycle accu's die gelijkmatig zijn in prestatie. Gebruik geen natte cell accu's, welke verwijderbare kappen hebben.



**WAARSCHUWING! Accu's bevatten corrosieve chemicaliën. Gebruik alleen AGM of Gel-Cell accu's om lekkage en explosieve condities te verminderen.**

**LET OP:** Gesloten batterijen zijn niet duurzaam. Verwijder de kappen niet.

### Waarom lijken mijn nieuwe accu's zwak?

Diep-cycle accu's gebruiken een verschillende chemische technologie dan die gebruikt wordt in auto batterijen, nikkelcadmium batterijen en andere, veel voorkomende batterijen. Diep-cycle accu's zijn specifiek ontwikkeld om kracht te leveren, te ontladen, en dan weer relatief snel op te laden.

Wij werken nauw samen met batterij fabrikanten om accu's te gebruiken die het beste die de specifieke behoeften van uw scootmobiel ten goede komen. Verse accu's komen dagelijks aan en worden volledig opgeladen naar onze klanten opgestuurd. Gedurende de verzending kunnen de accu's extreme temperaturen ondergaan die hun initiale prestatie kunnen beïnvloeden. Hitte en kou vermindert de laadkracht van een batterij, kou vertraagt de laadkracht beschikbaar en rekt de tijd uit die nodig is om de batterij opnieuw op te laden.

Het kan een paar dagen duren voor de temperatuur van uw scootmobiel's accu's zich aanpassen aan hun nieuwe kamer of omgeving temperatuur. Belangrijker nog is dat het een paar opladings cyclussen duurt vooraleer de kritische chemische balans is bereikt die diep cyclus batterij topprestaties laat leveren en een lang leven laat leiden.

### Volg de volgende stappen om ervoor te zorgen dat u uw nieuwe accu een goede start bezorgt.

1. Laad uw accu volledig op voordat u ze de eerste keer gebruikt. Deze lading brengt de accu tot 88% van de top prestatie.
2. Gebruik uw scootmobiel in veilige en vertrouwde gebieden zodat u gewend raakt aan het gebruik van uw nieuwe scootmobiel en belast de accu niet te zwaar de eerste keer. Neem geen "heuvels" en rij geen al te lange afstanden.
3. Laad uw accu volledig op. Deze lading brengt de accu tot meer dan 90% van de top prestatie.
4. Gebruik uw scootmobiel, dan laad uw accu wederom volledig.
5. Na vier of vijf ladingen brengt dit de accu tot 100% van de top prestatie en zullen ze per lading een langere tijd meegaan.

### Hoe te gebruiken in het openbaar vervoer?

AGM en Gel-Cell batterijen zijn ontworpen voor toepassing in scootmobiel's en andere voertuigen. Deze batterijen zijn Federal Aviation Administration (FAA) goedgekeurd (uitsluitend in de VS), waardoor veilig vervoer op vliegtuigen, bussen en treinen, omdat er geen gevaar van morsen of lekkage. We raden u aan de vervoerder kassa van tevoren contact op om de vervoerder de specifieke eisen vast te stellen.

# III. ACCU'S EN HET LADEN

Hoe vervang ik een accu in mijn scootmobiel?



**VERPLICHT!** De accupolen, aansluitklemmen en aanverwante accessoires bevatten lood en loodverbindingen. Draag bij het hanteren van accu's een veiligheidsbril en geschikte handschoenen, en was uw handen na gebruik.



**VERBODEN!** Gebruik altijd twee accu's van exact hetzelfde type, met identieke chemische samenstelling en capaciteit (Ah). Raadpleeg de specificatietabel die in deze handleiding en in de bij de acculader geleverde handleiding opgenomen is, voor aanbevolen type en capaciteit.

**WAARSCHUWING!** Meng geen oude en nieuwe batterijen. Vervang altijd beide batterijen tegelijkertijd.

**WAARSCHUWING!** Neem contact met uw Leverancier op indien u vragen heeft met betrekking tot de accu's in uw scootmobiel.



**WAARSCHUWING!** Vervang de accu's niet als er iemand in de scootmobiel zit.

**WAARSCHUWING!** De accu's in uw scootmobiel mogen alleen door een goedgekeurde Leverancier of een bevoegde monteur onderhouden of vervangen worden.



**VERBODEN!** Hou gereedschap en andere metalen voorwerpen weg van de batterijpolen. Contact met gereedschap kan elektrische schokken veroorzaken.

Voor het vervangen van de accu's heeft u het volgende nodig:

- Standaard/metrische doppenset
- Verstelbare moersleutel



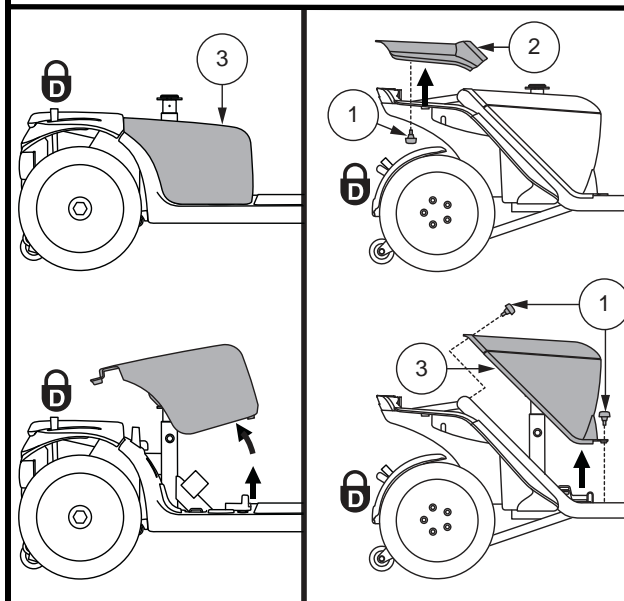
**WAARSCHUWING!** Probeer niet meer op te heffen dan u fysiek aankan. Vraag altijd om hulp wanneer dat noodzakelijk is tijdens het samenstellen of uithalen van uw scootmobiel.

Om een batterij in uw Scootmobiel te vervangen:

1. Verwijder de zitting en de accubekleding. Zie **figuur 14**.
  - a.) Voor modellen 614 en 714, verwijder de achterkap door de twee (2) duimschroeven los te maken. Daarna de kap recht op te tillen en van de scootmobiel te verwijderen. Zie **figuur 13**.
  - b.) Voor modellen 614 en 714, verwijder de accukap door de vier (4) duimschroeven los te maken. Daarna de kap recht op te tillen en van de scootmobiel te verwijderen. Zie **figuur 13**.
2. Maak de bevestiging van de accu los.
3. Voor alle modellen, **BEHALVE 614 en 714**: maak de bedrading die van voor naar achter loopt los. Ontkoppel beide accukabels door iedere kabel uit de bijbehorende stekker te trekken. Zie **figuur 14**.

## IDENTIFICATIELIJST

1. DUIMSCHROEF
2. ACHTERKAP
3. ACCUBEKLEDING



Figuur 13. Verwijdering/installatie van de kap



**WAARSCHUWING!** Trek bij het ontkoppelen niet aan de draden van de elektrische klemmen van de scootmobiel. Neem altijd de aansluiting zelf vast bij het ontkoppelen van de klem, om beschadiging van de bedrading te voorkomen.

# III. ACCU'S EN HET LADEN

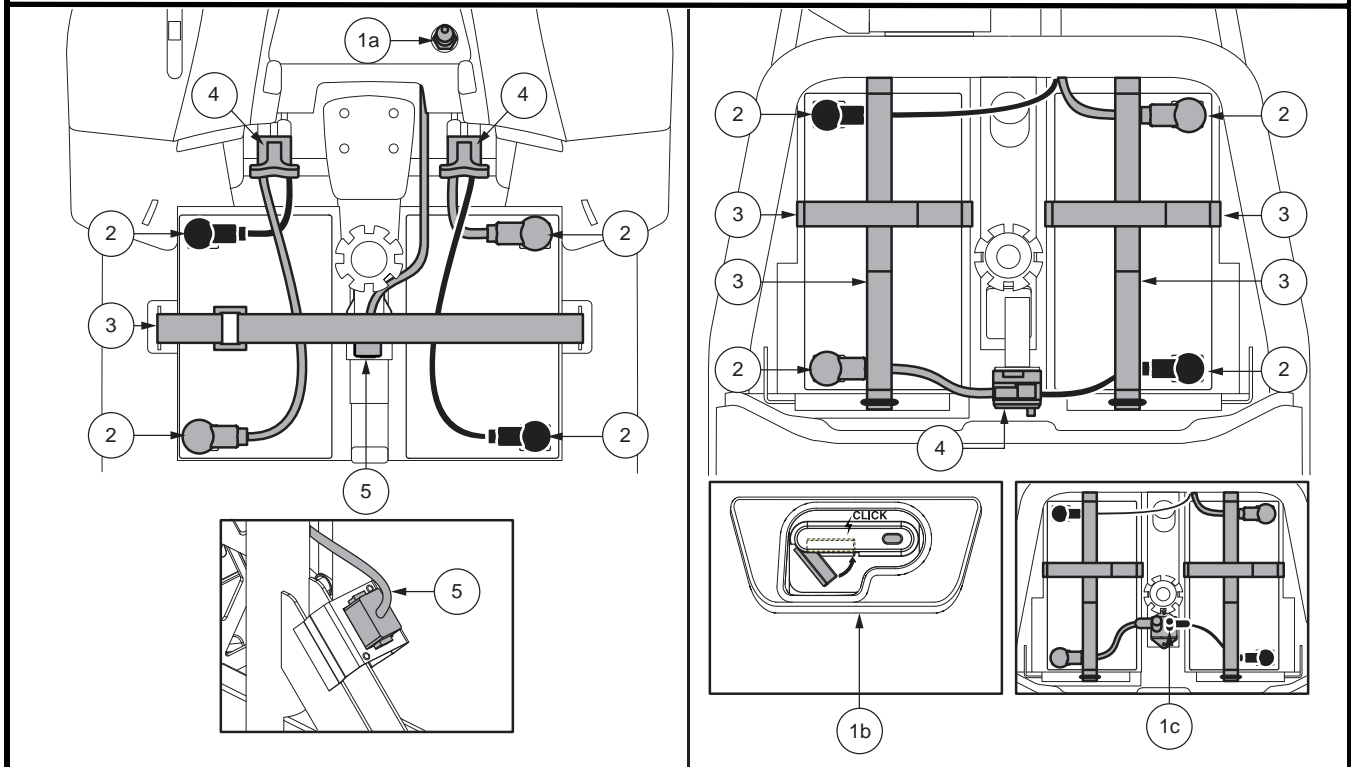
## IDENTIFICATIELIJST

### 1. HOOFDZEKERING

- 1a. Reset knop
- 1b. Instel hendel
- 1c. Automatische resetstylus

### 2. ACCUPOLEN ONDER DE BESCHERMKAPPEN

- 3. RIEM OM DE ACCU MEE VAST TE MAKEN
- 4. ACCU BEHUIZINGEN
- 5. TUIG VAN VOREN NAAR ACHTEREN



Figuur 14. Verwijdering/installatie van de accu, polen en aansluitingen

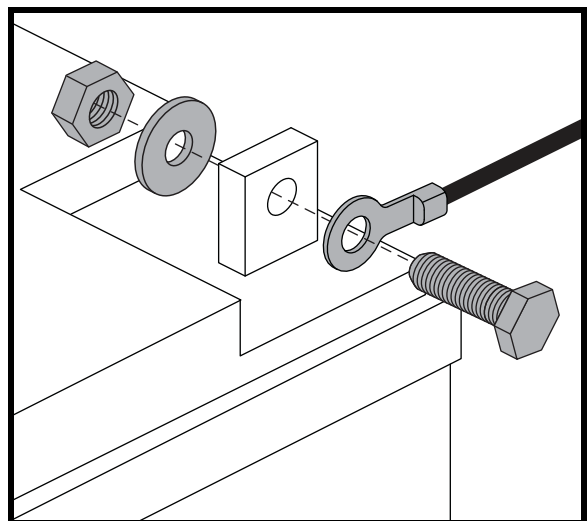


**WAARSCHUWING!** Indien beide accukabels en de voor-naar-achter bedrading niet worden ontkoppeld, voorafgaand aan het uit elkaar halen van het voorste en achterste gedeelte, kan dit leiden tot blijvende schade aan de scooter.

- 4. Ontkoppel de accukabels van de accupolen door de beschermkappen naar achteren te schuiven en de moer van de bout af te schroeven. **Zie figuur 15.**
- 5. Verwijder de oude accu's uit de accuholten.

**LET OP:** Sommige scootmobielen hebben afstandhouders ter bevestiging van de accu's. U kunt de afstandhouders opzij leggen totdat de accu's zijn teruggeplaatst in de scooter. **Zie figuur 16.**

- 6. Plaats een nieuwe accu in elke accu compartiment. Draai de accuklem van iedere accu van de stang van de stoel af, waarbij de positieve (+) en negatieve (-) accuklemmen worden aangebracht zoals getoond in **figuur 14.**



Figuur 15. Bevestigingsmaterialen van de accupolen



## III. ACCU'S EN HET LADEN

**LET OP:** Modellen 614 en 714 gebruiken accubandjes om de accu's in de accuruimte te bevestigen. Raadpleeg figuur 16 voor de bevestigingswijze van de accubandjes.

7. Verbind de rode accukabel met de positieve (+) accupool.
8. Verbind de zwarte accukabel met de negatieve (-) accupool.
9. Breng de beschermkappen weer op de accupolen aan.
10. Maak de bevestigingsbandjes van de accu opnieuw vast.
11. Plaats de accukap, de achterkap en de zitting.

**LET OP:** Als u een beschadigde accu aantreft, zorg er dan voor dat u die meteen in een plastic tas verpakt en contact opneemt met uw bevoegde Leverancier voor verwijderingsinstructies. Uw bevoegde Leverancier heeft ook de nodige informatie over het recyclen van accu's, wat natuurlijk onze voorkeur is.

### Accubevestiging en bandgeleiding

1. Bevestig de accu's in de accuruimte door de meegeleverde accubandjes door de gleuven van de accuruimte te geleiden, zoals getoond.
2. Zorg ervoor dat de korte band over de bovenkant van de lange band loopt.

**LET OP:** Voor bevestiging van beide banden, zorg ervoor dat de D-ring is gepositioneerd als weergegeven in figuur 15. De D-ring moet worden gepositioneerd binnen 2,54 cm (1 in) van, (maar nooit volledig contact maken met) de batterij.

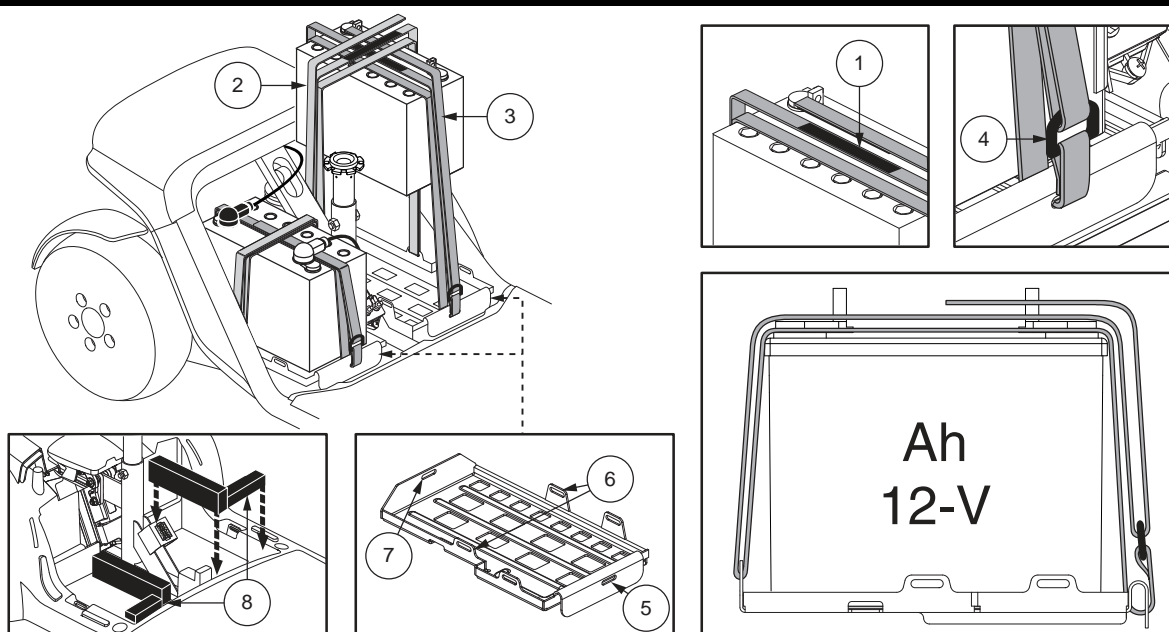
3. Eventueel overgebleven band dient naar achteren te worden geplaatst of naast de stang van de zitting van de scootmobiel.



**WAARSCHUWING!** De batterij banden mogen nooit worden geplaatst onder de batterij door.

### IDENTIFICATIELIJST

- |                                    |                            |
|------------------------------------|----------------------------|
| 1. HERBRUIKBAAR BEVESTIGINGSMIDDEL | 5. GLEUF AAN DE VOORKANT   |
| 2. KORTE BAND                      | 6. GLEUF AAN DE ZIJKANT    |
| 3. LANGE BEVESTIGINGSBAND          | 7. GLEUF AAN DE ACHTERKANT |
| 4. D-RING                          | 8. ACCU-AFSTANDHOUDERS     |



Figuur 16. Bevestiging van de accu voor modellen 614 en 714

# IV. GEBRUIK

## VOORDAT U OP UW SCOOTMOBIEL STAPT

- Heeft u uw accu's volledig opgeladen? Zie III. "Accu's en het Laden."
- Is de handmatige vrijloophendel in de rijpositie (naar achteren)? Laat de handmatige vrijloophendel nooit in de vrijloop positie (naar voren) staan tenzij u de Scootmobiel handmatig aan het voortbewegen bent.
- Zorg ervoor dat de temperatuur van de lucht is tussen -25°C/-13°F tot 50°C/122°F.

## HET OPSTAPPEN OP UW SCOOTMOBIEL

1. Overtuig u ervan dat de sleutel uit de schakelaar is gehaald.



**WAARSCHUWING! Probeer nooit in of uit uw Scootmobiel te stappen zonder dat u eerst de sleutel uit de schakelaar hebt gehaald. Dit voorkomt dat de Scootmobiel in beweging komt wanneer per ongeluk de gashendel wordt aangeraakt.**

2. Ga naast uw Scootmobiel staan.
3. Ontsluit de stoel slot hendel en draai de stoel totdat deze naar u toe gedraaid is.
4. Laat de hendel los en zorg dat de stoel weer vast in positie wordt vergrendeld.
5. Ga prettig en stevig in de stoel zitten.
6. Ontsluit de stoel slot hendel en draai de stoel totdat u vooruit kijkt.
7. Laat de hendel los en zorg dat de stoel weer vast in positie wordt vergrendeld.
8. Zet uw voeten veilig op de bodem van de Scootmobiel.

## VOORZORG EN CONTROLE

- Staat de stoel op de juiste hoogte afgesteld? Zie V. "Instelbaarheid."
- Is de stoel goed vastgezet?
- Is de verstelbare stuurkolom op een comfortabele stand gezet en goed vastgezet? Zie V. "Instelbaarheid."
- Is de sleutel volledig in de schakelaar gestoken, en met de klok mee in de "aan" positie gezet?
- Werkt de claxon goed?
- Is uw voorgestelde route vrij van mensen, dieren en hindernissen?
- Heeft u uw route zo gepland dat u zoveel mogelijk slecht terrein en hellingen vermijdt?

## BEDIENING VAN UW SCOOTMOBIEL

**WAARSCHUWING! De volgende factoren kunnen sturen en stabiliteit van uw scooter negatief beïnvloeden en resulteren in controleverlies, kantelen en/of persoonlijk letsel.**

- Vast houden aan of vast maken van een riem om uw huisdier mee te laten lopen.
- Dragen van passagiers (inclusief huisdieren).
- Iets aan het stuur hangen.
- Trekken of worden geduwd door een ander gemotoriseerd voertuig.



**WAARSCHUWING! Kantelgevaar! Vermijd abrupte manoeuvres bij hoge snelheid. Het valt aan te raden om de snelheidscontrole op zijn laagste stand te zetten totdat u helemaal vertrouwd bent met de controle en besturing van de scooter.**

**WAARSCHUWING! Remweg van de scooter is op een helling langer dan op horizontale ondergrond.**

**WAARSCHUWING! Houd allebei de handen aan het stuur en uw voeten te allen tijde op de vloerplaat terwijl u de Scootmobiel beweegt. Deze rij positie geeft u de meeste controle over het voertuig.**

## IV. GEBRUIK

- Stel de snelheidsschakelaar in op de gewenste stand.
- Duw of trek aan de betreffende zijde van de gascontrole hendel.
- De elektromagnetische rem wordt automatisch ontkoppeld en de Scootmobiel accelereert soepel naar de snelheid die u van te voren hebt ingesteld.
- Trek aan de linker handgreep om linksaf te gaan.
- Trek aan de rechter handgreep om rechtsaf te gaan.
- Beweeg het stuur naar de middenpositie om rechtdoor te gaan.
- Laat de gashendel langzaam los om volledig tot stilstand te komen. De elektromechanische rem zal automatisch in werking treden, zodat uw scooter tot stilstand komt.

**LET OP:** Uw Scootmobiel's achteruitrij snelheid is langzamer dan dat van de vooruit snelheid die u van te voren instelt met uw snelheidsschakelaar.

### HET AFSTAPPEN VAN UW SCOOTMOBIEL

1. Breng uw Scootmobiel volledig tot stilstand.
2. Verwijder de sleutel uit de schakelaar.



**WAARSCHUWING!** Probeer nooit in of uit uw Scootmobiel te stappen zonder dat u eerst de sleutel uit de schakelaar hebt gehaald. Dit voorkomt dat de Scootmobiel in beweging komt wanneer per ongeluk de gashendel wordt aangeraakt.

3. Maak de stoel slot hendel los en draai de zitting tot u naar de zijkant van uw Scootmobiel kijkt.
4. Verzeker u ervan dat de stoel goed in positie is vergrendeld.
5. Kom voorzichtig en veilig van de stoel en ga aan de kant van de scooter staan.
6. U kunt de zitting naar de zijkant laten staan om het makkelijker te maken de volgende keer om op uw Scootmobiel te komen.

### ENERGIE BESPAREND ONDERDEEL

Uw scooter heeft een energie besparend onderdeel bestemd om uw accu's te sparen. Als u per ongeluk de sleutel in het sleutelgat laat zitten in de "aan" positie maar uw Scootmobiel niet gebruikt voor ongeveer 20 minuten, dan slaat het controlesysteem automatisch af. De verlichting van uw scooter zal nog wel blijven werken.

Als de energie besparing optreedt, voer dan de volgende stappen uit om normale bediening te hernemen:

1. Verwijder de sleutel van het sleutelgat.
2. Steek de sleutel weer in en start uw scooter.

# V. INSTELBAARHEID

## VERSTELBARE STUURKOLOM (Zie figuur 1 of 6)

**WAARSCHUWING!** Neem de sleutel uit de schakelaar voordat u de stuurkolom gaat aanpassen. Probeer nooit uw stuur aan te passen terwijl uw scootmobiel in beweging is.



**WAARSCHUWING!** Duw de stuurkolom naar achter en naar voren voordat de scootmobiel wordt gebruikt om te controleren of het mechanisme voor de hoekinstelling stevig vast zit. Controleer of de verstelknop van de stuurkolom en het mechanisme voor de hoekinstelling volledig zijn ingeschakeld. Als er beweging zit in de stuurkolom, controleer dan of de verstelknop van de stuurkolom volledig is vastgedraaid.



**WAARSCHUWING:** Probeer de instellingshendel van de stuurkolom niet als handrem te gebruiken.

**LET OP:** Om de stuurkolom volledig te laten zakken voor demontage of transport, moet u eerst de stoel verwijderen.

## SPIEGEL POSITIE

U monteert de spiegel als volgt (Zie figuur 1 of 6):

1. Bepaal aan welke kant u de spiegel plaatst, en verwijder de rubberen stop van de bovenkant van de stuurhendel.
2. Plaats het uiteinde met de schroefdraad van de spiegelhouder in de opening en draai deze met de klok mee vast.
3. Draai indien nodig de moer met de klok mee voor het vastzetten van de spiegel.

U stelt de spiegel als volgt bij:

1. Ga in rijpositie zitten met uw gezicht naar voren gericht.
2. Stel de spiegel naar links, rechts, boven of onder bij, tot u goed zicht achter u hebt.

## RUGLEUNING VERSTELLING



**WAARSCHUWING!** Bestuur uw Scootmobiel niet met de rugleuning in een liggende positie.

**WAARSCHUWING!** Houd uw rug altijd stevig tegen de rugleuning gedrukt terwijl u de hoek van de leuning verstelt.

Als uw scootmobiel is uitgerust met een verstelbare rugleuning, kunt u de hoek van de rugleuning instellen met behulp van de verstelhendel van de rugleuning. **Zie figuur 17.**

1. Met uw rug tegen de rugleuning gedrukt, trek aan de afstelhendel en leun naar voren of naar achteren om de hoek van de rugleuning aan te passen.
2. Laat de rugleuning afstelling hendel los als de zitting eenmaal in een comfortabele rij positie staat.

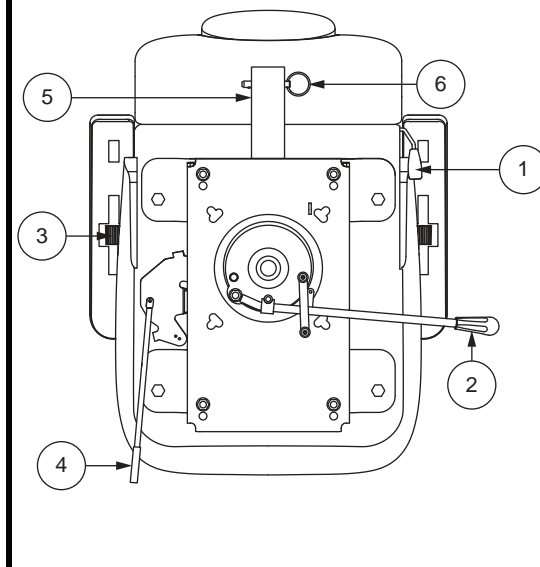
## DRAAIEN VAN DE ZITTING

Met de draaihendel van de stoel kunt u de stoel in verschillende posities vastzetten.

1. Afhankelijk van uw stoelsoort dient u de draaihendel van de stoel omhoog te trekken of naar voren te duwen om de stoel los te koppelen. **Zie figuur 17.**
2. Draai de zitting naar de gewenste positie.
3. Laat de hendel los om de zitting op zijn plaats te vergrendelen.

### IDENTIFICATIELIJST

1. RUGLEUNING VERSTELLING HENDEL
2. ZITTING SLOT HENDEL
3. VERSTELLING KNOP
4. ZITTING GLIJDENDE HENDEL
5. ACCESSOIREBEUGEL
6. PALLETJE



Figuur 17. Verstelling van de zitting

## V. INSTELBAARHEID

### ARMLEUNING HOEK AFSTELLING

De armleuning hoek van uw scooter kan omhoog of omlaag worden afgesteld door de afstelling knop te draaien. **Zie figuur 17.**

**LET OP:** Draai de armleuningen omhoog om het op en af stappen van uw scootmobiel makkelijker te maken.

### VOOR NAAR ACHTEREN ZITTING VERSTELLING

U kunt de scooters zitting naar voren of naar achteren bewegen om de afstand tussen de zitting en het stuur te verstellen.

1. Beweeg de zitting glijdende hendel naar buiten. **Zie figuur 17.**
2. Terwijl u de hendel naar buiten houdt, glijdt de zitting naar voren of naar achteren.
3. Laat de zitting glijdende hendel los als de zitting eenmaal in de verlangde positie staat.

### ACCESSOIREBEUGEL

Met de op de achterzijde gemonteerde accessoirebeugel kunt u uw eigen accessoires, zoals een mandje, een beugel voor een wandelstok of een zuurstoftank, aan de achterkant van uw scootmobiel bevestigen. Gebruik het palletje met de ring om de accessoires stevig aan de accessoirebeugel te bevestigen. **Zie figuur 17.** Vraag uw erkende leverancier naar de details.

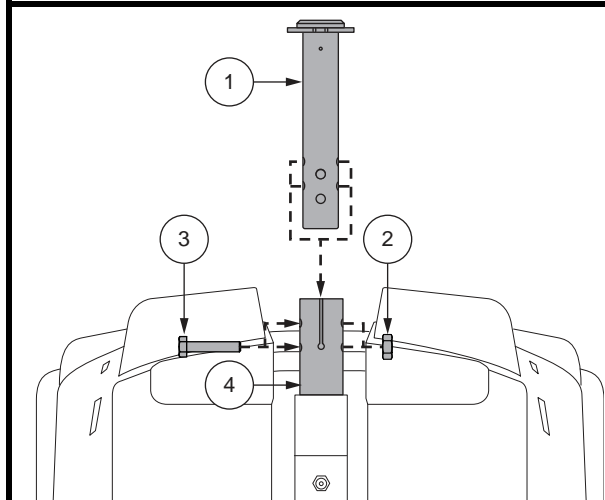
### ZITHOOGTE INSTELLING

Om de stoel op één van de drie hoogtes te zetten. **Zie figuur 18.**

1. Verwijder de stoel en de achterkap van uw Scootmobiel.
2. Verwijder de bout uit de stoelkolom.
3. Stel uw stoelhouder in op de gewenste hoogte.
4. Houd de stoelhouder op die hoogte en zorg er voor dat het gat in de stoelkolom en stoelhouder gelijk zijn.
5. Plaats de bout terug in de stoelkolom.
6. Plaats de moer terug op de verstelbout voor de stoelhoogte en draai hem aan.
7. Plaats de stoel en achterkap terug op zijn plaats.

#### IDENTIFICATIELIJST

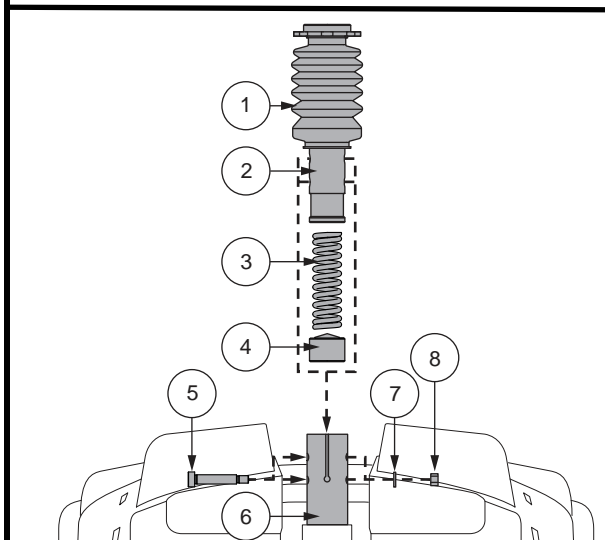
1. STOELHOUDER
2. MOER
3. BOUT VOOR VERSTELLING VAN DE ZITHOOGTE
4. STOELKOLOM



Figuur 18. Zithoogte aanpassing

#### IDENTIFICATIELIJST

1. BAGAGERUIMTE
2. STOELHOUDER
3. DE VEER  
gewichtscapaciteit: 0-90.72 kg (0-220 lbs.)  
90.72-181.44 kg (220-400 lbs.)
4. HET TUSSENSTUK
5. SCHOUDERBOUT ( 24 N • m [210 in • lb])
6. STOELKOLOM
7. WASSER
8. MOER



Figuur 19. Zithoogte Aanpassing - Comfortabele

## V. INSTELBAARHEID

### ZITHOOGTE INSTELLING - COMFORTABELE ZETELPEN (INDIEN HIERMEE UITGERUST)

Om de stoel op één van de twee hoogtes te zetten:

1. Verwijder de stoel van uw Scootmobiel. Omhoog trekken en hou hem daar om de zetel los te maken, draai dan de zetel rond om hem op te heffen.
2. Verwijder de achterkap.
3. Open de zetelpenkoffer, waar u de apparatuur aantreft.
4. Druk de zetelpen naar omlaag, terwijl u tegelijkertijd de schouderbout, wasser, en moer losmaakt en verwijdert. **Zie figuur 19.**
5. Verwijder de comfortveer.
6. Om de zetel op te heffen naar het hoogste montagegat is het nodig dat u een tussenstuk om de hoogte aan te passen. Om de zetel weer naar het laagste montagegat te doen zakken, moet u dat tussenstuk weer verwijderen.
7. Installeer opnieuw de comfortveer.
8. Houd de stoelhouder op die hoogte en zorg er voor dat het gat in de stoelkolom en stoelhouder gelijk zijn. Gebruik de bovenste openingen voor de hoge positie en de lage openingen voor de lage positie.

**LET OP:** Als de stang van de stoel in de bovenste positie is gemonteerd, dan dient u twee afstandhouders te gebruiken.

9. Druk op de zetelpen om bout en moer opnieuw aan te brengen en vast te maken ( 24 N • m [210 in • lb]).
10. Plaats de stoel terug op zijn plaats.

### AANPASSING VAN DE ZETELOPHANGING (INDIEN BESCHIKBAAR)

Je kan de ophanging van de zetel lossen of strakker maken, afhankelijk van welke comfortveer je installeert.

Om de zetelophanging aan te passen:

1. Verwijder de stoel van uw Scootmobiel. Omhoog trekken en hou hem daar om de zetel los te maken, draai dan de zetel rond om hem op te heffen.
2. Verwijder de achterkap.
3. Open de zetelpenkoffer, waar u de apparatuur aantreft.
4. Druk de zetelpen naar omlaag, terwijl u tegelijkertijd de zeskantige bout en moer losmaakt en verwijdert.
5. Verwijder de veer die er nu opzit.
6. Installeer de gewenste veer. **Zie figuur 19.**
7. Druk op de zetelpen om bout en moer opnieuw aan te brengen en vast te maken ( 24 N • m [210 in • lb]).
8. Plaats de stoel terug op zijn plaats.

### VEILIGHEIDSGORDEL (OPTIONEEL)

Uw Scootmobiel kan uitgerust worden met een verstelbare veiligheidsgordel. De veiligheidsgordel is ontwikkeld om ervoor te zorgen dat de berijder(ster) niet zijwaarts of voorwaarts kan glijden. De veiligheidsgordel is niet ontwikkeld als een middel om een persoon vast te zetten in de stoel.



**WAARSCHUWING! De veiligheidsgordel van uw stoel is niet bedoeld om gebruikt te worden in een voertuig, en uw scooter is ook niet geschikt om gebruikt te worden als zetel in een voertuig. In een voertuig moet u op de correcte wijze de gordels gebruiken zoals die goedgekeurd zijn door de voertuigfabrikant.**

**WAARSCHUWING! De veiligheidsgordel dient te allen tijde te worden vastgemaakt. Laat de veiligheidsgordel nooit los hangen of over de vloer slepen waardoor de riem verstrikt zou kunnen raken.**

## V. INSTELBAARHEID

**Het installeren van de veiligheidsgordel (indien nodig):**

1. Verwijder de stoel van uw Scootmobiel.
2. Plaats de stoel ondersteboven zodat u de onderzijde van uw stoel kunt zien. **Zie figuur 20.**
3. Verwijder de bouten aan de buitenzijde van de zitting-bevestigingsplaat aan de achterzijde van de stoel.
4. Voer de bouten door het daarvoor bestemde gat in de uiteinden van de veiligheidsriem en plaats de bouten vervolgens weer terug in hun gaten in de zitting-bevestigingsplaat.
5. Draai de bouten goed aan.

### Veiligheidsriem met metalen gesp

**Het aanpassen van de veiligheidsriem:**

1. Stop het metalen uiteinde van de ene zijde van de veiligheidsriem in de plastic behuizing van de andere zijde van de veiligheidsriem totdat u een "klik" hoort. **Zie figuur 21.**
2. Trek het losse uiteinde van de veiligheidsriem aan totdat u stevig zit, maar niet zo vast dat het oncomfortabel wordt.

**De plaatsingsgordel losmaken:**

1. Duw het knopmechanisme op de kunststof behuizing in.

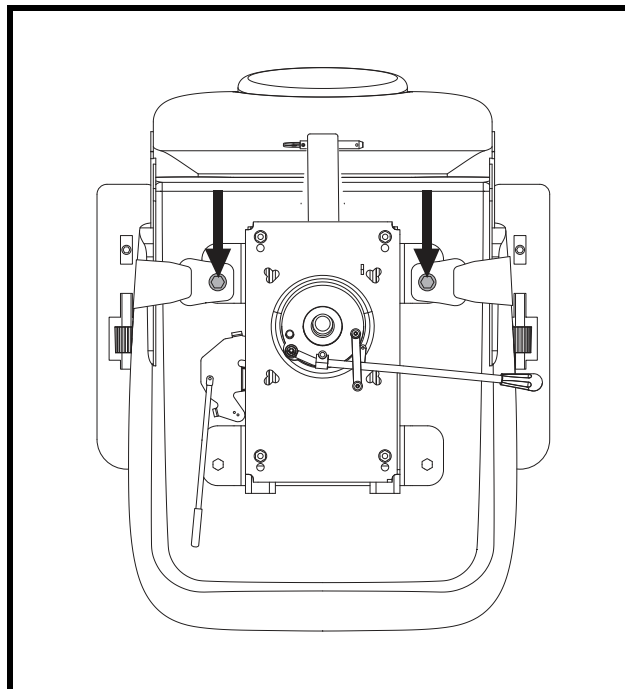
### Veiligheidsriem met klittenband (lussen en haken)

**Het aanpassen van de veiligheidsriem:**

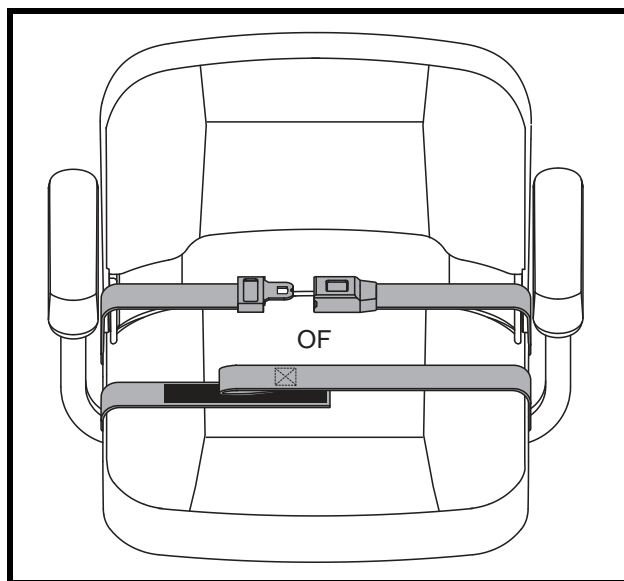
1. Leg de twee kanten van de riem op elkaar met de kant met de lussen recht boven de ruwe kant ("haak") van de andere band. Stevig op elkaar drukken om te bevestigen. **Zie figuur 21.**

**De plaatsingsgordel losmaken:**

1. Pak de kant van de riem met de lussen vast en trek deze omhoog om hem los te maken van de andere kant van de riem.



Figuur 20. Veiligheidsgordel bouten



Figuur 21. Veiligheidsriem-model met metalen gesp of model met gebruikbaar klittenband

**VERPLICHT! Zorg er voor ieder gebruik voor dat de veiligheidsgordel correct is bevestigd aan de elektrische Scootmobielen dat hij comfortabel is afgesteld voor de gebruiker.**



**VERPLICHT! Inspecteer de veiligheidsriem op losse onderdelen of beschadiging, inclusief scheuren, versleten plekken, verbogen onderdelen, beschadigde gespmechanismen, vuil of restanten, voorafgaand aan ieder gebruik van de scootmobiel. Als u een probleem ontdekt, neem dan contact op met uw bevoegde leverancier voor onderhoud en reparatie.**

## VI. DEMONTAGE EN MONTAGE

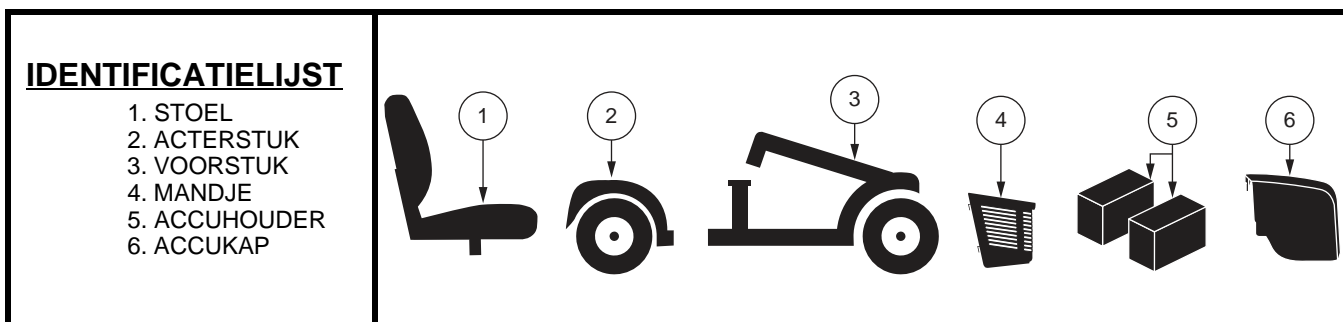
**LET OP:** Controleer de functietabel van de Scooter aan de pagina 82 om te bepalen of uw Scooter een frame-ontgrendelhendel of een blokkeerpen heeft, voordat u probeert het frame te demonteren.

### DEMONTAGE

U kunt de scooter demonteren in een aantal onderdelen: de zitting, het achterstuk, het voorstuk, het mandje, de accu's, en het accukap. **Zie figuur 22.** U heeft geen gereedschap nodig om de scootmobiel te monteren of demonteren, maar denk er aan dat de gedemonteerde onderdelen van de scootmobiel meer ruimte in beslag nemen dan de gemonteerde eenheid. Demonteer of monteer uw scootmobiel altijd op een egale, droge ondergrond met voldoende ruimte om te werken en minstens 1,5 meter (5 feet) rond de scootmobiel om te bewegen. Denk er aan dat sommige onderdelen erg zwaar zijn en dat het kan zijn dat u hulp nodig heeft om ze te tillen.



**WAARSCHUWING!** Til geen dingen op die u fysiek niet aankan. Vraagt, indien noodzakelijk, om hulp bij demontage van uw scootmobiel.



Figuur 22. Gedemonteerde scootmobiel

1. Verwijder de zitting door deze recht omhoog van de scootmobiel te tillen. Indien u weerstand voelt bij het verwijderen van de zitting, ontgrendelt u de vergrendeling van de zitting en kantelt u de zitting voor en achter over terwijl u deze op tilt.
2. Trek de accukap voorzichtig naar voren, til hem voorzichtig omhoog en haal hem van de scootmobiel af.
3. De riem losmaken die de accu vasthoudt.
4. Ontkoppel de achter-naar-voren harnas.
5. Ontkoppel de bedrading van beide accu's door de lipjes in te drukken en vervolgens de bedrading van elke accu recht omhoog te trekken. **Zie figuur 14.**
6. Verwijder de accu's uit de accuholten.

**LET OP:** Indien tussenstukken zijn voorzien om de batterijen vast te zetten, verwijder die dan en bewaar ze op een veilige plaats voor wanneer de scooter opnieuw wordt samengesteld. **Zie figuur 16.**



**WAARSCHUWING!** Indien u niet beide accu behuizingen ontkoppelt voordat u het voorstuk en achterstuk van elkaar scheidt kan dit resulteren in permanente schade aan de Scootmobiel.



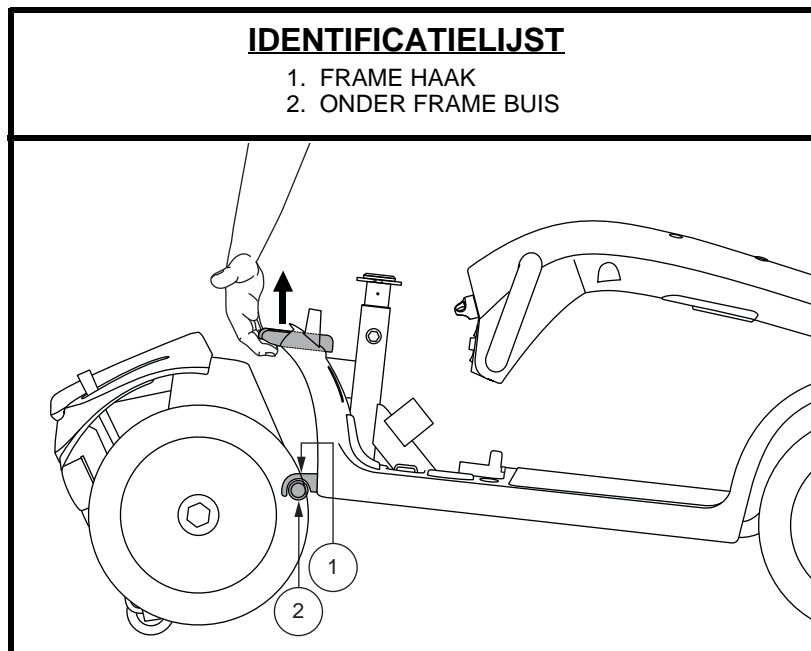
## VI. DEMONTAGE EN MONTAGE

### Hoe het frame uit elkaar te halen

1. Schik het voorwiel (s) in een rechte rijrichting.
2. Breng de stuurkolom naar beneden.

**LET OP:** De zwenkbare stuurstang is uitgerust met een mechanisme dat de voorwielen vast zet wanneer de stuurstang volledig naar beneden is gehaald en vastgeschroefd.

3. Pak de frame-ontgrendelhendel vast en til hem omhoog. **Zie figuur 23.**
4. Til het voorstuk op totdat de framehaken van het voorstuk los komen van het achterstuk.
5. Scheid langzaam de twee delen.



Figuur 23. Frame-ontgrendelhendel

### MONTAGE

1. Plaats het voorstuk en achterstuk van uw Scootmobiel zoals afgebeeld in **figuur 23**.
2. Gebruik de frame ontgrendelhendel om het voorstuk op te tillen wanneer u de framehaken van het voorstuk uitlijnt met de onderste framebuis van het achterstuk.
3. Als de framehaken zich eenmaal boven de onderste framebuis bevinden, laat u het voorste gedeelte zakken en tegelijkertijd laat u het achterste gedeelte draaien. Hierdoor wordt de frameblokkering automatisch.
4. Trek het stuur omhoog.
5. Verbind de achter-naar-voren harness.
6. Indien die er zijn, plaats de tussenstukken terug. **Zie figuur 16.**
7. Installeer de accudozen opnieuw in de compartimenten.
8. Sluit beide accudraadbomen aan. **Zie figuur 14.**
9. Zet de accubevestigingsriem vast.
10. Plaats de achterbekleding.
11. Installeer de zitting en draai deze totdat hij vergrendelt op de juiste plaats.

## VII. HET OPLOSSEN VAN PROBLEMEN

Ieder elektromechanisch deel heeft van tijd tot tijd onderhoud nodig. Hoewel de meeste problemen die kunnen voorkomen meestal kunnen opgelost worden mits enig nadenken en gezond verstand. Veel van deze problemen ontstaan wanneer de batterijen niet goed zijn opgeladen of wanneer de batterijen niet goed meer zijn en geen lading meer kunnen vasthouden.

### DIAGNOSTISCHE FOUT CODES

De diagnostische fout codes voor uw scootmobiel zijn bestemd om u te helpen om makkelijk en vlug de basis problemen op te lossen. Er zal een diagnostische knippercode op de status-LED knipperen als een van de volgende omstandigheden zich voordoet. **Zie figuur 24 of 25.**

**LET OP:** Uw scooter zal niet werken tenzij de fout code is opgelost en de scooter af- en weer aangezet is.

FOUT CODE	CONDITIE	OPLOSSING
■ (1)	Accu-voltage is te laag.	Laad de accu's.
■ ■ (2)	Accu te laag om de scooter te bedienen.	Laad de accu's
■ ■ ■ (3)	Het voltage van de accu van de scooter is te hoog, of de lader is nog steeds met het laadcontact verbonden.	Ontkoppel de lader en/of draai de sleutel op uit, en druk weer op aan.
■ ■ ■ ■ (4)	Stroom limiet time out.	Draai de Scootmobiel uit voor een paar minuten. Draai de Scootmobiel dan weer aan.
■ ■ ■ ■ ■ (5)	Mogelijk staat de vrijloophendel in de vrijloopstand.	Verwijder de sleutel, zorg dat de gashendel de middenpositie staat (niet ingedrukt), start uw Scootmobiel opnieuw.
■ ■ ■ ■ ■ ■ (6)	Gaspedaal control hendel niet in de midden positie gedurende het opstarten.	Zorg ervoor dat de accu's volledig zijn opgeladen. Indien de accu's volledig zijn opgeladen, dan breng de gaspedaal control hendel naar de midden positie, draai de Scootmobiel af, en dan aan.
■ ■ ■ ■ ■ ■ ■ (7)	Snelheids potentiometer foutmelding.	Bel uw Leverancier voor assistentie/hulp.
■ ■ ■ ■ ■ ■ ■ ■ (8)	Foutmelding motor niet gekoppeld.	Bel uw Leverancier voor assistentie/hulp.
■ ■ ■ ■ ■ ■ ■ ■ ■ (9)	Andere interne fout.	Bel uw Leverancier voor assistentie/hulp.

**Figuur 24. Modellen met bedieningspaneel**

### Wat te doen als al mijn Scooter systemen lijken te zijn uitgevallen?

- Controleer of de scooter “aan” staat.
- Controleer of de accu's volledig zijn opgeladen.
- Druk op de resetknop voor de hoofdstroomonderbreking. Zie II. “Uw Scootmobiel.”
- Verzeker u ervan dat beide accukabels en het tuig van voor naar achter stevig vastzitten.
- Controleer of het energie besparend onderdeel niet is geactiveerd. Zie IV. “Gebruik.”

### Wat als mijn Scootmobiel niet beweegt als ik op de gaspedaal hendel druk?

- Wanneer de handbediende vrijloop hendel naar voren wordt gedrukt, worden de remmen ontkoppeld en wordt alle kracht naar de motor afgesneden.
- Trek de handbediende vrijloop hendel terug, zet de scooter af, en zet hem dan weer aan om naar de normale werking van de scooter terug te keren.

## VII. HET OPLOSSEN VAN PROBLEMEN

FOUT CODE	CONDITIE	OPLOSSING	FOUTMELDING
1	De batterijen moeten vervangen worden.	Laad de accu's zo vlug mogelijk op.	N/A
2	De accu-voltage is te laag.	Laad de accu's zo vlug mogelijk op.	LEEG
3	De accu-voltage is te hoog.	Ontkoppel de lader en draai de sleutel uit en dan weer aan.	WPIEK
4	Teveel stroom	Draai het contact van de scootmobiel uit voor een paar minuten Schakel de scootmobiel dan weer in.	APIEK
5	Fout met de remmen bij het parkeren	Neem de sleutel uit het slot, zet de manuele vrijloop in de rijpositie (achterwaarts) en start de scootmobiel opnieuw.	REM
6	Gaspedaal control hendel niet in de midden positie gedurende het opstarten.	Breng de gashendel naar de midden positie, Schakel de scootmobiel uit en weer aan.	GASHE
7	De gashendel is kapot of gebroken	Bel uw Leverancier voor assistentie/hulp.	GASHE
8	Motor voltage fout	Bel uw Leverancier voor assistentie/hulp.	MOTOR
9	Andere interne fout	Bel uw Leverancier voor assistentie/hulp.	OVRIE

Figuur 25. Modellen met LCD Controlepaneel

### Wat te doen als de automatische zekering er steeds uit springt?

- Als de hoofdzekering er herhaaldelijk uitspringt, dient u contact op te nemen met uw erkende Leverancier voor service.
- Laad de accu's van de scootmobiel vaker op. Zie III. "Accu's en het laden."
- Als het probleem blijft bestaan, laat dan de beide accu's van uw scootmobiel testen door uw bevoegde Leverancier.
- U mag ook de laad test zelf doen. Accu laadtesters zijn verkrijgbaar bij de meeste winkels waar men auto-onderdelen verkoopt. Volg de directies gegeven met de accu laadtester.
- Zie III. "Accu's en het laden" of "Product Specificaties Blad" voor informatie over het accutype van uw scootmobiel.

### Wat te doen als de accu-conditiemeter op de scootmobiel steeds wegzakt en de motor stottert of weigert als ik de gashendel indruk?

- Laad uw accu's volledig op. Zie III. "Accu's en het laden."
- Laat uw bevoegde Leverancier de lading van iedere accu testen.
- Zie de vorige vraag omtrent het zelf testen van uw accu's.

Als u problemen heeft met uw scootmobiel, die u niet kunt oplossen, neem dan direct contact op met uw bevoegde Leverancier voor informatie, onderhoud en service.

## VIII. VERZORGING EN ONDERHOUD

Uw scootmobiel heeft een minimum aan verzorging en onderhoud nodig. Als u denkt niet te kunnen voldoen aan het onderhoud dat hieronder is aangegeven, kunt u dit overleggen met uw bevoegde Leverancier. De volgende gebieden hebben een periodieke inspectie nodig of verzorging en/of onderhoud.

### BANDEN DRUK

- Indien uw Scootmobiel is uitgerust met luchtbanden, behoud dan altijd de psi/bar/kPa luchtdruk zoals die op elke band is aangegeven.



**WAARSCHUWING! Het is belangrijk dat de psi/bar/kPa luchtdruk in luchtbanden te allen tijden op het niveau staat zoals aangegeven op elke band. Pomp uw banden niet teveel of te weinig op. Een te lage druk kan controleverlies veroorzaken en een te hoge druk kan de banden doen ontploffen. Indien de correcte psi/bar/kPa luchtdruk niet aangehouden wordt, dan kan dat band en wiel problemen veroorzaken.**

- Controleer uw banden regelmatig op slijtage of schade.

### UITERLIJKE OPPERVLAKKEN

Bumpers en andere oppervlakken kunnen ook onderhouden worden met rubber of vinyl conditioner.



**WAARSCHUWING! Gebruik geen rubber of vinyl conditioner op een vinyl stoel of bandprofiel; deze kunnen hierdoor gevaarlijk glad worden.**

### SCHOONMAKEN EN DESINFECTEREN

- Gebruik een vochtige doek en een mild, niet schurend reinigingsmiddel om de plastic en metalen delen van uw Scootmobiel schoon te maken. Vermijd het gebruik van producten die krassen op het oppervlak van uw Scootmobiel zouden kunnen veroorzaken.
- Indien noodzakelijk kunt u het product reinigen met een goedgekeurd desinfectiemiddel. Zorg er voor gebruik voor, dat het middel veilig is voor gebruik op uw Scootmobiel.



**WAARSCHUWING! Volg alle veiligheidsinstructies voor het correcte gebruik van het desinfectiemiddel en/of reinigingsmiddel vooraleer het op uw product te gebruiken. Indien u dat niet doet, riskeert uw huidirritatie of voortijdige schade aan bekleding en afwerking van de Scootmobiel.**

### BATTERIJ VERBINDINGEN

- Controleer of alle verbindingen goed vastzitten en niet roesten.
- De accu's moeten vlak in de accu schachten zitten.
- De accupolen dienen naar weg uit te wijzen de stoelkolom.

### HARNAS BEDRADING

- Controleer regelmatig alle verbindingen.
- Controleer regelmatig alle bedrading isolatie, ook die van de acculader, op slijtage en schade.
- Laat iedere beschadigde aansluiting, verbinding of isolatie repareren of vervangen door een bevoegde service monteur, voordat u uw scootmobiel gaat gebruiken.



**VERBODEN! Alhoewel de Scootmobiel aan de vereiste testvoorschriften betreffende het binnendringen van vloeistoffen voldoet, dient u elektrische aansluitingen uit de buurt van vocht te houden, met inbegrip van rechtstreekse blootstelling aan water of lichaamsvloeistoffen en incontinentie. Inspecteer de elektrische onderdelen regelmatig op tekenen van corrosie en vervang ze indien nodig.**



**WAARSCHUWING! Trek niet aan het elektrisch tuig zelf om dat van de scooter te verwijderen. Pak altijd de connector vast om tuig los te maken, en dat natuurlijk om schade aan de draden te voorkomen.**

## VIII. VERZORGING EN ONDERHOUD

### VERVANGEN VAN DE WIELEN

Indien uw Scootmobiel is voorzien van luchtbanden en u hebt een lekke band, kan u de binnenband laten vervangen. Neem contact op met uw erkende Leverancier voor meer informatie over de vervanging van de wielen van uw scootmobiel.

**WAARSCHUWING!** De wielen aan uw scootmobiel mogen alleen door een goedgekeurde Leverancier of een bevoegde monteur onderhouden of vervangen worden.

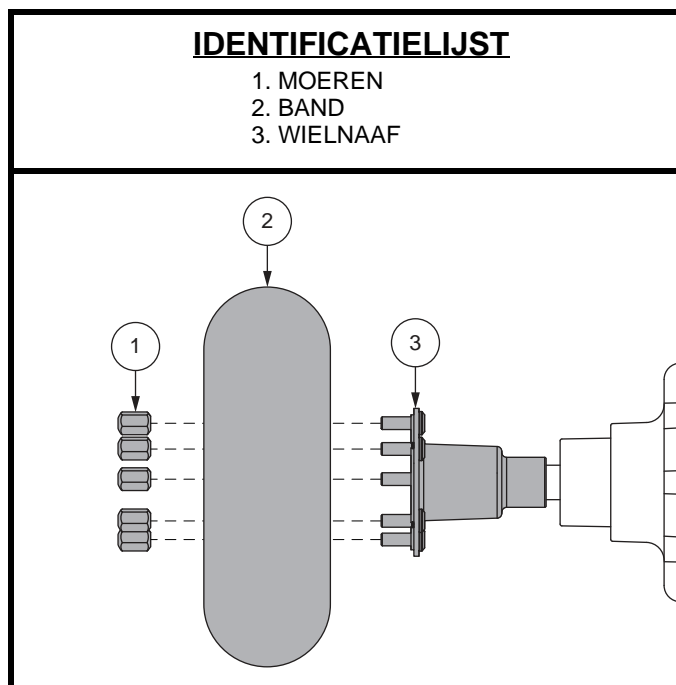
**WAARSCHUWING!** Wees er zeker van dat de sleutel uit het contact is en dat de scootmobiel niet in vrijloop staat vooraleer u deze procedure tracht uit te voeren.



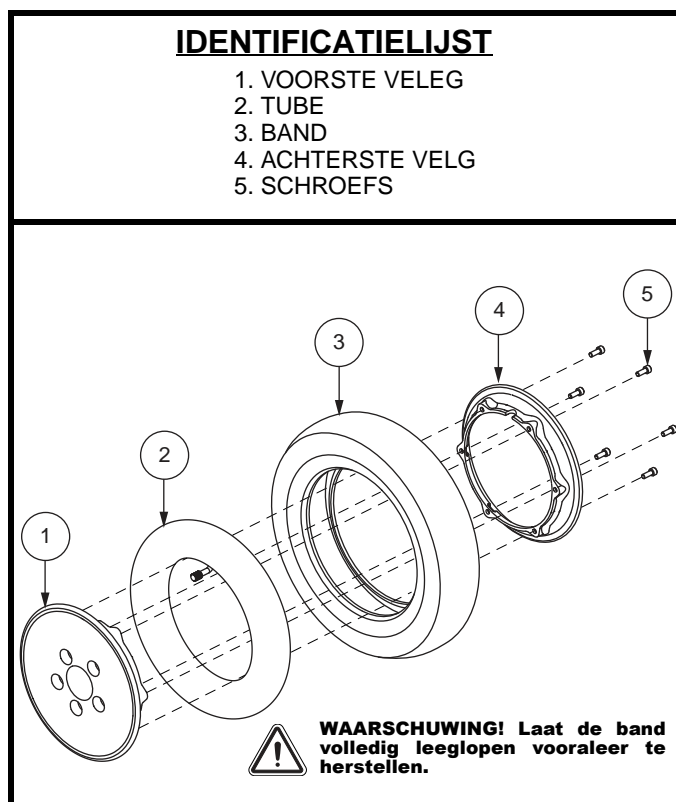
**WAARSCHUWING!** Verwijder bij het verwisselen van een pneumatische band alleen de wielmoeren en verwijder vervolgens het wiel. Als verdere demontage nodig is, dient u de band **VOLLEDIG** te laten leeglopen, zodat de band niet kan openbarsten.

**Volg onderstaande instructies op voor het vervagen van luchtbanden:**

1. Verwijder de steutel van de sleutel schakelaar en verzeker dat de scootmobiel niet in vrijloop staat.
2. Hef die kant van de scooter op, waar u de band gaat vervangen. Plaats houten blokken onder het koetswerk om de scooter op te heffen.
3. Als u de binnenband wilt vervangen, dient u de band **volledig** te laten leeglopen, voordat u deze van de naaf afhaalt.
4. Verwijder de aandrijfwielmoeren van de wielnaaf. **Zie figuur 26.**
5. Verwijder de aandrijfwiel van de as.
6. Verwijder de schroeven en haal de voorste en achterste velg uit elkaar. **Zie figuur 27.**
7. Verwijder de oude binnenband en vervang deze door een nieuwe.
8. Zet de twee helften van de velg weer aaneen.



Figuur 26. Vervagen van de wielen



Figuur 27. Luchtbanden demontage/montage

## VIII. VERZORGING EN ONDERHOUD

- Schuif het wiel weer over de as.
- Herbevestig de moeren aan de wielnaaf en draai ze goed vast.



**WAARSCHUWING! Controleer of alle wielmoeren op de juiste wijze zijn vastgedraaid.**

- Pomp de pneumatische banden op tot de psi/bar/kPa luchtdruk zoals die aangegeven staat op de band.
- Verwijder de blokken vanonder de scooter.

### ABS PLASTIEK DEKMANTEL

- De kap van de stuurstand, de voorste kap en de achterkap zijn gemaakt met duurzaam plastic en zijn voorzien van een geavanceerde urethaan verf.
- Een lichte applicatie autowas zal de kappen helpen hun hoge glans te behouden.

### DE ASLAGERS EN DE MOTOR/AS MONTAGE

U hoeft deze onderdelen niet te oliën, omdat deze allen zijn voorgeolied en afgesloten.

### MOTORBORSTELS

De motorborstels zitten in de behuizing van de motoras. Ze moeten periodiek geïnspecteerd worden door uw bevoegde Vertegenwoordiger.

### BEDIENINGSPANEEL, LADER EN ACHTER ELECTRONIE

- Hou deze gedeelten vrij van vocht.
- Laat deze gedeelten grondig drogen als ze blootgesteld zijn geweest aan vocht, voor u uw Scootmobiel weer gebruikt.

### REMSCHOENEN

De remschoenen van uw scooter moeten regelmatig op slijtage gecontroleerd worden. Eenmaal die schoenen amper 2 mm of 1/16ste van een inch dik zijn, dan moeten ze vervangen worden. Als een van de remblokken moet worden vervangen, is het raadzaam alle remblokken tegelijkertijd te vervangen. Neem contact op met uw Leverancier voor meer informatie aangaande het vervangen van uw remschoenen.

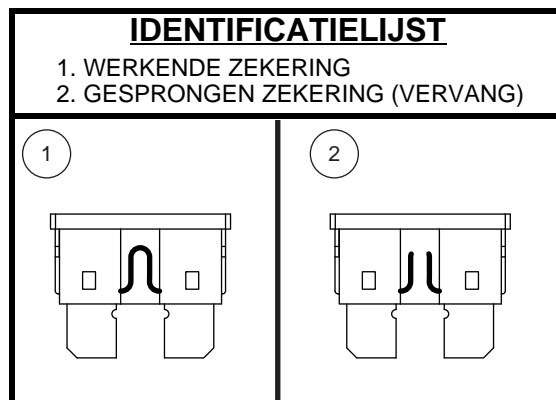
### VERVANGEN VAN ZEKERINGEN

**Om een zekering te controleren:**

- Verwijder de zekering door deze uit zijn slot te trekken.
- Onderzoek de zekering om er zeker van te zijn dat hij is gesprongen. **Zie figuur 28.**
- Plaats een nieuwe zekering van het juiste type.



**WAARSCHUWING! De nieuwe zekering moet exact dezelfde sterkte hebben als de oude, anders kan het elektrisch systeem beschadigd worden.**



Figuur 28. Vervangen van zekeringen

## VIII. VERZORGING EN ONDERHOUD

### VERVANGING VAN EEN NYLON MOER

Iedere nylon moer die bij periodieke onderhoudswerkzaamheden, montage of demontage wordt verwijderd van de scootmobiel dient te worden vervangen door een nieuw exemplaar. Nylon moeren kunnen niet worden hergebruikt, omdat er schade kan ontstaan aan de nylon schroefdraad, waardoor er niet meer sprake is van een goede bevestiging. Nylon moeren zijn verkrijgbaar bij uw lokale ijzerwarenhandel of bij uw erkende Leverancier.

### HET OPSLAAN VAN UW SCOOTMOBIEL

Als u van plan bent uw scootmobiel een bepaalde periode niet te gebruiken, is het raadzaam het volgende te doen:

- Laad de accu's volledig op voordat u ze gaat opslaan.
- Verwijder de accu's van de Scootmobiel.
- Sla uw scootmobiel op in een warme droge omgeving.
- Vermijd de opslag van uw scootmobiel in ruimten waar deze wordt blootgesteld aan grote temperatuurverschillen.
- Aanbevolen opslagtemperatuur: -40°C/-40°F tot 65°C/149°F.



**WAARSCHUWING! Bescherm uw accu's altijd tegen vriestemperaturen en laad nooit een bevroren accu op. Een bevroren accu opladen kan die accu beschadigen.**

Accu's die regelmatig en diep ontladen worden, die onregelmatig opgeladen worden, die opgeslaan worden onder extreme temperaturen of zonder volledig te zijn opgeladen, kunnen permanent beschadigd worden wat op zijn beurt resulteert in onbetrouwbare prestaties en een beperkte levensduur. Het wordt aangeraden om uw accu's regelmatig op te laden, ook tijdens een lange periode van inactiviteit, om een betrouwbare prestatie te blijven garanderen.

Voor langere opslag is het beter enkele planken onder het frame van uw scootmobiel te plaatsen om deze van de grond te tillen. Dit haalt namelijk het gewicht van de banden en voorkomt het vormen van kale plekken op uw banden.

### AFVOER VAN UW SCOOTMOBIEL

U dient uw scootmobiel volgens de plaatselijk geldende regels af te voeren. Neem contact op met de lokale afvalverwerking of uw erkende Leverancier voor informatie omtrent de juiste wijze van afvoer van de verpakkingen van uw elektrische rolstoe, het metalen frame, de plasticen onderdelen, de electronica, accu's en de neoprene, silicone, en polyurethane materialen.

# NOTITIES





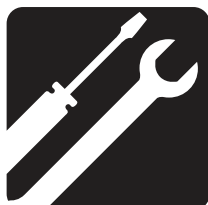
ZUSAMMENBAUEN



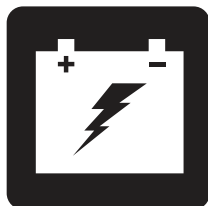
HANDHABUNG



INDIVIDUELLE ANPASSUNG



WARTUNG



BATTERIEN UND AUFLADUNG




# SERIE VOLLGROßE ELEKTROMOBILE

## BETRIEBSHANDBUCH

---

# ELEKTROMOBIL-AUSSTATTUNGSTABELLE

Modell	Konsolentyp		Rahmenart (Montage/Demontage)		Stütz-räder	Optionen*			Hauptunterbrecher (Typ)			
	A	B	1-teiliger Rahmen	2-teiliger Rahmen		Enthalten	Hi-Low Schalter	Handbremshebel	Gefederte Sattelstütze	Reset- Knopf	Reset- Hebel	Auto Reset
												
613	•	•		•	•	•	•	•	•	•		
614	•	•	•		•	•				•		•
713	•	•		•	•	•	•	•	•			
714	•	•	•			•	•			•		•

**\*HINWEIS:** Die Ausstattungsoptionen der Elektromobile können sich je nach Land unterscheiden. Bitte erkundigen Sie sich bei Ihrem Händler, welche Optionen für Ihr Elektromobil verfügbar sind.

**HINWEIS:** Bitte merken Sie sich die Modellnummer Ihres Elektromobils. Sie finden die Modellnummer in dem Produktdatenblatt, das Sie mit Ihrem Elektromobil erhalten haben. In diesem Handbuch werden die Eigenschaften des Elektromobils unter Bezugnahme auf die Modellnummer beschrieben (Spalte ganz links in der Elektromobil-Ausstattungstabelle). Wenn Sie die Modellnummer kennen, können Sie sich über die genauen Eigenschaften des von Ihnen erworbenen Elektromobils informieren.

## BESTIMMUNGSGEMÄSSE VERWENDUNG

Dieses Gerät ist als Fortbewegungshilfsmittel für Personen gedacht, die auf eine sitzende Position eingeschränkt und zur Bedienung eines Elektromobils in der Lage sind.

## HINWEIS ZUR ÄRZTLICHEN VERORDNUNG VON GERÄTEN



**VORSICHT!** Nach US-amerikanischem Bundesrecht darf dieses Gerät nur auf Verordnung eines Arztes oder anderer zertifizierter Personen verkauft werden, die durch Gesetze des Staates (nur USA) oder der Region, in der die Person das Gerät verwendet oder die Verwendung verordnet, zugelassen wurden.

**ANMERKUNG:** Dieses Benutzerhandbuch wurde aus den neuesten, zum Zeitpunkt der Veröffentlichung verfügbaren Spezifikationen und Produktinformationen zusammengestellt. Wir behalten uns vor, bei Bedarf Änderungen vorzunehmen. Alle Änderungen an unseren Produkten können geringe Unterschiede zwischen den Abbildungen und Erläuterungen in diesem Handbuch und dem von Ihnen erworbenen Produkt verursachen.

**HINWEIS:** Dieses Produkt erfüllt die Anforderungen der WEEE-, RoHS- und REACH-Richtlinien.

**HINWEIS:** Dieses Produkt entspricht IPX4 Klassifizierung (IEC 60529).

**HINWEIS:** Das Ihrem Elektromobil und seine Komponenten bestehen nicht aus Naturlatex. Bitte setzen Sie sich bezüglich jeglichen After-Market-Zubehörs mit dem Hersteller in Verbindung.



# INHALT

<b>SICHERHEITSWEISUNGEN</b> .....	123
<b>I. BETRIEBSSICHERHEIT</b> .....	124
<b>II. IHR ELEKTROMOBIL</b> .....	127
<b>III. BATTERIEN UND AUFLADUNG</b> .....	140
<b>IV. HANDHABUNG</b> .....	148
<b>V. INDIVIDUELLE ANPASSUNG</b> .....	150
<b>VI. ZERLEGEN UND ZUSAMMENBAUEN</b> .....	154
<b>VII. FEHLERSUCHE</b> .....	156
<b>VIII. PFLEGE UND WARTUNG</b> .....	159

## SICHERHEITSWEISUNGEN



**WARNUNG!** Ein Vertragslieferant oder ein qualifizierter Techniker muss die Ersteinrichtung dieses Elektromobils vornehmen und alle Verfahren in diesem Handbuch befolgen.

Die folgenden Symbole werden in dieser Bedienungsanleitung und auf dem Produkt laufend verwendet und dienen zur Kennzeichnung von Warnungen und wichtigen Informationen. Es ist äußerst wichtig, diese zu lesen und vollständig zu verstehen.



**WARNUNG!** Weist auf potenziell gefährliche Zustände/Situationen hin. Das Nichtbefolgen der festgelegten Verfahren kann zu Verletzungen, Komponentenschäden oder Fehlfunktionen führen. Auf dem Produkt ist dieses Symbol schwarz in einem gelben Dreieck mit schwarzem Rand dargestellt.



**ANWEISUNG!** Diese Maßnahmen sollten nur wie beschrieben durchgeführt werden. Die Nichtbeachtung der vorgeschriebenen Maßnahmen kann zu Personen- bzw. Sachschäden führen. Auf dem Produkt ist dieses Symbol weiß in einem blauem Kreis mit weißem Rand dargestellt.



**VERBOTEN!** Diese Handlungen sollten unterlassen werden. Diese Handlungen dürfen Sie unter keinen Umständen vornehmen. Die Nichtbeachtung kann zu Personen- bzw. Sachschäden führen. Auf dem Produkt ist dieses Symbol schwarz in einem roten Kreis mit rotem Schrägstrich dargestellt.

# I. BETRIEBSSICHERHEIT

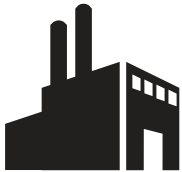
## SYMBOLS DER PRODUKTSICHERHEIT

Die folgenden Symbole sind an Ihrem Elektromobil angebracht, um auf Warnungen, notwendige Maßnahmen und verbotene Handlungen hinzuweisen. Es ist sehr wichtig für Sie, diese komplett zu lesen und zu verstehen.

**HINWEIS:** Im Sicherheitsleitfaden, den Sie mit Ihrem Elektromobil erhalten haben, werden weitere Warnhinweise aufgeführt und erläutert. Bitte machen Sie sich mit allen Warnungen und Sicherheitsinformationen in diesem Leitfaden vertraut und lesen bei Bedarf nach.



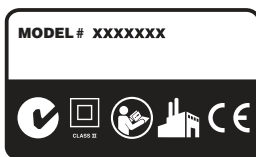
**Lesen und befolgen Sie die Angaben dieser Betriebsanleitung.**



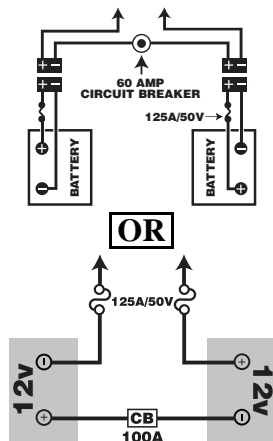
**Hergestellt in.**



**Sicherungspunkte.**



**Elektromobil Informationsetikett.**



**Batterie Set Konfiguration:**

**+ = Pluspol (rot) Batterieanschluss**

**- = Minuspol (schwarze) Batterieanschluss**

**Schließen Sie das rote Batteriekabel an den Pluspol (+) Batterieanschluss.**

**Schließen Sie das schwarze Batteriekabel an den Minuspol (-) Batterieanschluss.**

# I. BETRIEBSSICHERHEIT

## ALLGEMEIN



**ANWEISUNG! Vor der erstmaligen Inbetriebnahme Ihres Elektromobils sollten Sie diese Betriebsanleitung sowie den Sicherheitsleitfaden sorgfältig lesen und verstehen.**

Ihr Elektromobil ist ein hochentwickeltes Gerät, das entworfen wurde, um Ihren Lebensstandard und Ihre Mobilität zu steigern. Ihr Hersteller bietet ein umfassendes Produktsortiment an, um Ihren individuellen Anforderungen gerecht zu werden. Die endgültige Auswahl und Kaufentscheidung hinsichtlich welches Elektromobilmodell in Betrieb genommen wird, obliegt dem/der Elektromobilbenutzer/in, sowie dem für ihn/sie zuständigen Arzt oder Therapeuten.

Dem Inhalt dieser Betriebsanleitung liegt die Annahme zugrunde, dass der zuständige Arzt bzw. autorisierte Fachhändler das geeignete Elektromobil dem Benutzer angepasst hat, und ihn über die entsprechenden Gebrauchsanweisungen unterrichtet hat.

Unter bestimmten Umständen, einschliesslich gewisser gesundheitlicher Beschwerden, muss der Benutzer die Handhabung des Elektromobils unter Aufsicht einer Pflegeperson üben. Eine Pflegeperson kann ein Familienmitglied oder eine ausgebildete Pflegeperson sein, die über geeignete Kenntnisse über die alltägliche Handhabung eines Elektromobils verfügt.

Im täglichen Umgang mit Ihrem Elektromobil kann es dazu kommen, dass sich einige Situationen ereignen, die ein wenig Übung erfordern. Lassen sie sich aber Zeit und Sie werden bald in der Lage sein, Türen, Aufzüge, Rampen und unregelmäßige Oberflächen gefahrlos und souverän zu meistern.

Weitere allgemeine Informationen finden Sie in den ergänzenden Informationsblättern und Unterlagen, die Sie mit Ihrem Elektromobil erhalten haben. Bitte lesen und prüfen Sie diese Dokumente und bewahren sie zum späteren Gebrauch griffbereit auf.

Unten aufgeführt sind einige Warnungen, Hinweise und Sicherheitsbestimmungen, die dem Benutzer helfen, sein Elektromobil sicher zu bedienen.

## SICHERHEITSKONTROLLE

Gewöhnen Sie sich an Ihr Elektromobil und seine Fähigkeiten. Es wird empfohlen, eine Sicherheitskontrolle vor jeder Fahrt durchzuführen, damit Ihr Elektromobil reibungslos und sicher fährt.

### **Die folgenden Kontrollen sind vor der Fahrt durchzuführen:**

- Den Zustand der Reifen prüfen. Stellen Sie sicher, dass die Reifen nicht beschädigt oder stark abgenutzt sind.
- Alle elektrische Anschlüsse auf Festigkeit prüfen. Sie sollen frei von Korrosion sein.
- Alle Steuerungsanschlüsse zur Steckerleiste auf Festigkeit prüfen.
- Die Bremsen auf einwandfreie Funktion prüfen.
- Prüfen Sie anhand der Batterieanzeige, dass die Batterien vollständig geladen sind.
- Achten Sie darauf, dass der Freilaufhandhebel auf den Fahrmodus eingestellt ist, bevor Sie sich auf das Elektromobil setzen.

Sollten sie ein Problem entdecken, wenden Sie sich an Ihren autorisierten Fachhändler. Bitte sehen Sie in der Kontaktinformations-Beilage nach, die Sie mit Ihrem Elektromobil erhalten haben.

# I. BETRIEBS SICHERHEIT

## INFORMATION ZUR BREMSE

Ihr Elektromobil ist mit leistungsstarken Bremssystemen ausgerüstet:

- Gegenstrombremse: Strom wird benutzt, um das Fahrzeug beim Zurückkehren des Gashebels in die Ausgangsposition (Nullstellung) sofort zu verlangsamen.
- Brems Scheibensystem als Parkbremse: wird mechanisch aktiviert, nachdem das Fahrzeug durch das Gegenstrombremssystem fast zum Stillstand gebracht wird oder wenn eine Unterbrechung des Systemstroms vorliegt.
- (Fakultativ) Handbremse: Dieser Hebel bietet Ihnen im Notfall zusätzliche Bremsleistung an. Siehe III. „Ihr Elektromobil“.

## HANDBREMSE (FAKULTATIV — MODELLE 613, 713, UND 714)

Die Handbremse enthält Hydraulikflüssigkeit. Wenn der Hebel gedrückt wird, die Flüssigkeit wird durch die Bremsleitung geschoben, um die Bremskissen gegen die Brems Scheibe zu drücken. Die Handbremse ist eine komplett versiegelte Einheit, was bedeutet, dass die Hydraulikflüssigkeit nicht auslaufen sollte. Es gibt aber bestimmte Sicherheitsmaßnahmen denen gefolgt werden sollte, wenn die Handbremse gerissen oder beschädigt ist.

- Berühren Sie nicht verschüttete Materialien ohne Schutzausstattung, sowie Arbeitsschutzbrille und Handschuhe.
- Für kleine Verschüttungen, die Flüssigkeit mit trockener Erde, Sand, oder anderem nicht brennbarem saugfähigen Stoff abdecken. Wenn aufgesaugt, das Material in eine Plastiktüte geben und wenden Sie sich an Ihre lokale Müllbeseitigungsgesellschaft für richtige Beseitigungsmaßnahmen. Bitte den Abfall nicht in Wasserstraßen oder Abwasserkanäle leiten.
- Wenn es Augenkontakt hatte, die Kontaktlinsen untersuchen und entfernen. Die Augen mit kaltem, sauberem Wasser auswaschen. Medizinische Hilfe bei übermäßigem Tränenfluss, Rötungen oder Schmerzen aufsuchen.
- Bei Hautkontakt alle verunreinigten Kleider abnehmen. Waschen Sie die Haut mit Seife und Wasser. Medizinische Hilfe aussuchen wenn die Haut beschädigt ist oder Reizung ist. Verunreinigte Kleider gründlich waschen. Lederkleidung nicht mehr benutzen oder tragen.
- Bei unabsichtlichem Schlucken, Erbrechen nicht induzieren oder etwas trinken ausser von einem Arzt angeordnet. Niemals etwas in den Mund einführen wenn die Person nicht bei vollem Bewusstsein ist. Sofort medizinische Hilfe aufsuchen.
- Wenn eingeatmet, bringen Sie die betroffene Person in die frische Luft. Wenn die betroffene Person nicht atmet, sofort Mund zu Mund Atmung vornehmen. Wenn Atmen schwierig ist, 100% befeuchtetes Sauerstoff durch eine „Qualifizierte Person“ anbieten. Sofort medizinische Hilfe aufsuchen und die betroffene Person warm und ruhig halten.
- Wenn entflammt, sofort mit einem Feuerloescher versuchen das Feuer zu loeschen.

**WARNUNG! Handbremse nicht ändern oder die Hydraulikflüssigkeit ersetzen. Sollte Schaden eintreten, folgen Sie den Sicherheits-Informationen in diesem Abschnitt und wenden Sie sich an Ihren autorisierten Fachhändler für Handbremsenersatz. Die Hydraulik Handbremse sollte nur von einen autorisierten Fachhändler repariert oder ersetzt werden.**



**WARNUNG! Die Handbremse enthaelt Hydraulikflüssigkeit, die an empfindlicher Haut, Augen, Nase/bronchiale Reizungen verursachen kann. Die Handbremse nicht einstellen oder reparieren ohne richtige Schutzausstattung sowie Arbeitsschutzbrille, Handschuhe, und sofort Hände waschen nach der Handhabung.**

## II. IHR ELEKTROMOBIL

### LENKERKONSOLE

Die Lenkerkonsole enthält alle Bedienelemente, die für die Handhabung Ihres Elektromobils nötig sind, einschließlich Geschwindigkeitsvorwahlschalter, Statusanzeige, Gashebel, Batterieanzeige, Betriebslichtschalter, Hauptschalter, Warnblinker, und Hupe. Bitte beachten Sie, dass einige der in diesem Abschnitt aufgeführten Komponenten optional und bei Ihrem Elektromobil u. U nicht vorhanden sind. **Siehe Abb. 1.**

**HINWEIS:** Wenn Ihr Elektromobil mit einem LCD-Bedienfeld ausgestattet ist, blättern Sie bitte zur Seite in diesem Abschnitt, welche mit **LENKERKONSOLE: LCD-BEDIENFELD** beginnt.



**VERBOTEN!** Die Lenkerkonsole darf keiner Feuchtigkeit ausgesetzt werden. Wurde diese dennoch der Feuchtigkeit ausgesetzt, darf Ihr Elektromobil erst nach vollständigem Trocknen der Lenkerkonsole wieder in Betrieb genommen werden.

### ERKLÄRUNG

- |                                |                                  |
|--------------------------------|----------------------------------|
| 1. HUPE                        | 8. GESCHWINDIGKEITSREGLER        |
| 2. *RICHTUNGSANZEIGER (LINKS)  | 9. BATTERIEANZEIGE               |
| 3. *WARNBLINKER                | 10. SCHLÜSSELSCHALTER            |
| 4. LICHTSCHALTER               | 11. SPIEGEL UND VERSCHLUSS       |
| 5. *RICHTUNGSANZEIGER (RECHTS) | 12. LENKKONSOLENEINSTELLUNGHEBEL |
| 6. *HI-LOW SCHALTER            | 13. *HANDBREMSE                  |
| 7. GASHEBEL                    | 14. BREMSSCHLOSS                 |

\*OPTIONALE KOMPONENTEN - NICHT AN ALLEN MODELLEN VERFÜGBAR

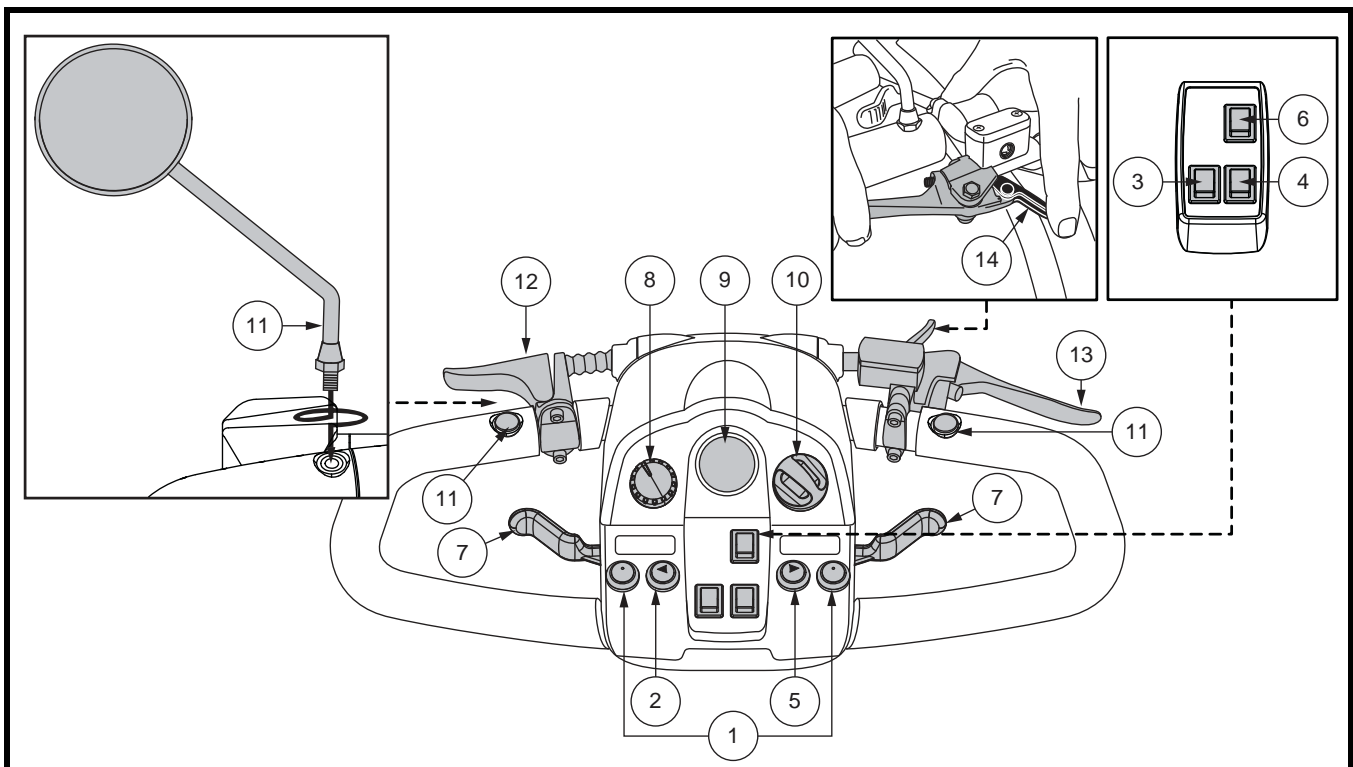


Abb. 1. Lenkerkonsole A

## II. IHR ELEKTROMOBIL

### Hupen

Um die Hupe zu aktivieren, muss der Schlüssel richtig im Schlüsselschalter stecken. Der Druckknopf lässt die Hupe ertönen. Zögern Sie nicht, die Hupe zu benutzen, um Unfälle oder Verletzungen zu vermeiden.

### Richtungsanzeigschalter

Betätigen Sie diese Schalter um die Richtungsanzeiger (orange) einzuschalten.

- Den linken Schalter für den linken Richtungsanzeiger drücken. Linke Richtungsanzeige in der Batterieanzeige wird blinken.
- Den rechten Schalter für den rechten Richtungsanzeiger drücken. Rechte Richtungsanzeige in der Batterieanzeige wird blinken.
- Die Richtungsanzeiger sind so eingestellt, daß sie sich nach einiger Zeit selbst abschalten.

### Lichtschalter

Dieser Schalter kontrolliert die Leuchten an Ihrem Elektromobil.

- Den Schalter nach vorne kippen, um die Warnblinker einzuschalten.
- Den Schalter nach hinten kippen, um die Warnblinker auszuschalten.



**WARNUNG! Benutzer des Elektromobils sind aufgefordert, bei schlechter Sicht die Fahrbeleuchtung zu benutzen – am Tage oder in der Nacht.**

### Warnblinker Schalter

Mit diesem Schalter werden die vorderen und hinteren Warnblinker eingeschaltet.

- Den Schalter nach vorne kippen, um die Warnblinker einzuschalten.
- Den Schalter nach hinten kippen, um die Warnblinker auszuschalten.

### Hi-Low Schalter

Mit diesem Schalter variieren Sie die Geschwindigkeit des Elektromobils zwischen schnell und langsam. Schieben Sie den Schalter nach vorn (Hi), um die maximale vorprogrammierte Geschwindigkeit für das Elektromobil zu erreichen. Schieben Sie den Schalter zurück (Low), um die Hälfte der maximalen vorprogrammierten Geschwindigkeit des Elektromobils zu erreichen.

### Gashebel

Mit diesem Hebel regeln Sie die Vorwärts- und Rückwärtsgeschwindigkeit bis hin zu der von Ihnen mit dem Vorwahlschalter eingestellten Höchstgeschwindigkeit.

#### Für die Vorwärtsbewegung befolgen Sie eine der beiden Möglichkeiten:

- Benutzen Sie Ihren linken Daumen, um die linke Seite des Geschwindigkeitsvorwahlschalter zu drücken.
- Benutzen Sie die Finger der rechten Hand, um die rechte Seite des Geschwindigkeitsvorwahlschalter zurückzuziehen.

#### Für die Rückwärtsbewegung befolgen Sie eine der beiden Möglichkeiten:

- Benutzen Sie Ihren rechten Daumen, um die rechte Seite des Geschwindigkeitsvorwahlschalter zu drücken.
- Benutzen Sie die Finger der linken Hand, um die linke Seite des Geschwindigkeitsvorwahlschalter zurückzuziehen.

Um rückwärts zu fahren, lassen Sie erst den Gashebel los, so dass Ihr Elektromobil zum Stillstand kommt. Drücken Sie dann den Gashebel in die andere Richtung. Bei vollständigem Loslassen des Gashebels, kehrt der Gashebel automatisch in die Ausgangsposition (Stoppstellung) zurück. Dabei werden die Bremsen eingeschaltet.



## II. IHR ELEKTROMOBIL

### Geschwindigkeitsvorwahlschalter

Dieser Schalter erlaubt Ihnen, die Höchstgeschwindigkeit zu wählen und zu begrenzen.

- Die abgebildete **Schildkröte** stellt die langsamste Stufe dar.
- Der abgebildete **Hasen** stellt die schnellste Stufe dar.

### Batterieanzeiger

Bei eingeschaltetem Elektromobil zeigt der Anzeiger die ungefähre Spannung der Batterien an. Siehe III. „Batterien und Aufladung.“

### Statusanzeige (LED)

Die LED Statusanzeige weist Sie auf elektrische Fehler hin, die in Ihrem Elektromobil auftreten könnten. Die Anzeige leuchtet kontinuierlich, solange Ihr Elektromobil eingeschaltet ist. Im Falle eines elektrischen Problems, blinkt die Anzeige in dem jeweiligen Code. Siehe Kapitel VII. „Fehlersuche“ für die unterschiedlichen Blinkcodes.

### Schlüsselschalter

- Um Ihr Elektromobil einzuschalten, den Schlüssel in den Schlüsselschalter ganz einstecken und im Uhrzeigersinn drehen.
- Um Ihr Elektromobil auszuschalten, den Schlüssel entgegen dem Uhrzeigersinn drehen.



**WARNUNG! Sollte der Schlüssel während der Fahrt in die „Aus“ Position geschaltet werden, schalten sich die elektronischen Bremsen ein und Ihr Elektromobil wird abrupt zum Stehen kommen!**

### Spiegelpositionierung und Einstellung

Informationen zur Positionierung und Einstellung Ihres Spiegels finden Sie in Abschnitt V., „Individuelle Anpassung“.

### Einstellung des Lenkerwinkels

Informationen zur Einstellung des Lenkerwinkels finden Sie in Abschnitt V., „Individuelle Anpassung“.

### Handbremse

Dieser Hebel bietet Ihnen im Notfall zusätzliche Bremsleistung an. Wenn in Bewegung, lassen Sie den Gashebel vorsichtig los und drücken Sie die Handbremse um zum Stillstand zu kommen.

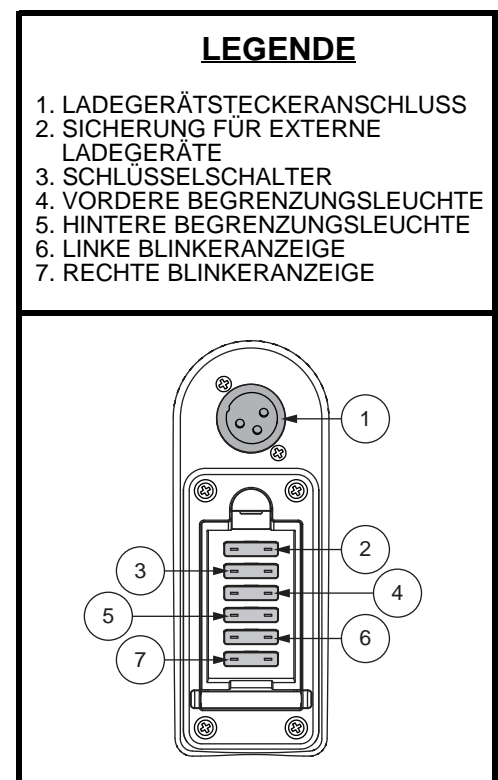
Die Handbremse kann gesperrt werden und als Parkbremse benutzt werden und zwar durch Druecken der Handbremse. Die Bremse ist dann in verriegelter Position. **Siehe Abb. 1.** Um die Bremse zu sperren, drücken Sie voll die Handbremse.



**WARNUNG! Die Handbremse ist nur als Notbremse und/oder als Feststellbremse beim Parken zu benutzen.**

### Steckdose für Ladegerätkabel

Das externe Ladegerätkabel wird in diesem Anschluss eingesteckt, der sich auf dem Lenker oder auf. **Siehe Abb. 2.**



**Abb. 2. Steckdose für Ladegerätkabel/ Lenkerkonsolen Sicherungen**

## II. IHR ELEKTROMOBIL

### Lenkerkonsolen Sicherungen

Ihr Elektromobil ist ausgestattet mit einer Reihe von Elektro-System Sicherungen, die das externe Ladegerät-System, Schlüsselschalter, und Beleuchtungssystem von ein Überlast von elektrischen Strom schützt. Diese Sicherungen sind die gleichen wie die in Automobilen und befinden sich in einem Fach auf dem Lenker. **Siehe Abb. 2.**

**HINWEIS:** Alle elektrischen Bereiche müssen trocken und sauber von fremden Materialien sein.

### LENKERKONSOLE: LCD-BEDIENFELD

Die Lenkerkonsole und der untere Lenker enthalten sämtliche Kontrollkomponenten, die Sie für die Nutzung Ihres Elektromobils benötigen, inklusive des LCD-Bedienfeldes, des Gaspedal-Hebels, des Schlüsselschalters und des Gaspedal-Schalters. **Siehe Abb. 3.**



**VERBOTEN!** Die Lenkerkonsole darf keiner Feuchtigkeit ausgesetzt werden. Wurde diese dennoch der Feuchtigkeit ausgesetzt, darf Ihr Elektromobil erst nach vollständigem Trocknen der Lenkerkonsole wieder in Betrieb genommen werden.

### Hupen

Um die Hupe zu aktivieren, muss der Schlüssel richtig im Schlüsselschalter stecken. Der Druckknopf lässt die Hupe ertönen. Zögern Sie nicht, die Hupe zu benutzen, um Unfälle oder Verletzungen zu vermeiden.

### Richtungsanzeigschalter

- Drücken Sie den jeweiligen Blinker-Knopf einmal, um ihn zu aktivieren. Der Blinker leuchtet auf dem LCD-Bildschirm auf.
- Drücken Sie denselben Signal-Knopf erneut, um den Blinker auszuschalten.

**HINWEIS:** Die Blinker sind so eingestellt, dass sie sich nach 15 Sekunden automatisch abschalten. Während der Blinker aktiv ist, ertönt ein Warnton. Siehe Abbildung 5 für die Einstellung der Lautstärke.

### Lichtschalter

- Drücken Sie den Beleuchtungsknopf einmal, um das Beleuchtungssystem zu aktivieren. Das Beleuchtungssymbol wird auf dem LCD-Bildschirm angezeigt.
- Drücken Sie den Beleuchtungsknopf erneut, um das Beleuchtungssystem auszuschalten.



**WARNUNG!** Benutzer des Elektromobils sind aufgefordert, bei schlechter Sicht die Fahrbeleuchtung zu benutzen – am Tage oder in der Nacht.

### LEGENDE

- |                      |   |
|----------------------|---|
| 1. HUPE              | 8. HI-LOW SCHALTER                      |
| 2. RICHTUNGSANZEIGER | 9. GESCHWINDIGKEITSREGLER (ERHÖHEN)     |
| 3. LICHTSCHALTER     | 10. GESCHWINDIGKEITSREGLER (VERRINGERN) |
| 4. LCD-BILDSCHIRM    | 11. GASHEBEL                            |
| 5. SET-KNOPF         |   |
| 6. WARNBLINKER       |   |
| 7. MODE-KNOPF        |   |

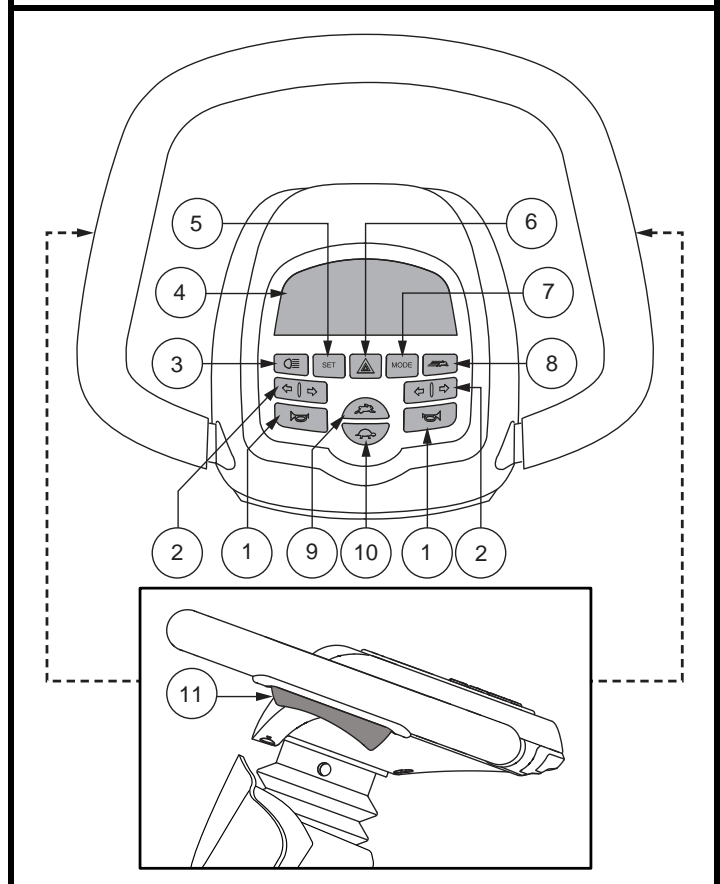


Abb. 3. LCD Bedienfeld - Stil B

## II. IHR ELEKTROMOBIL

### LCD-Bildschirm und Bedienfeld-Einstellungen

Das LCD-Bedienfeld bietet praktische und intuitiv verständliche Rückmeldungen auf dem LCD-Bildschirm. **Siehe Abb. 3.** Der LCD-Bildschirm wird auch während der Einrichtung (Aktivierung) der unterschiedlichen Bedienfeld-Einstellungen verwendet.

### Warnblinker-Taste

Diese Taste aktiviert die gelben 4-Wege-Blinker an Ihrem Elektromobil.

- Drücken Sie die Taste einmal, um die Blinker zu aktivieren.
- Drücken Sie die Taste erneut, um die Blinker auszuschalten.

**HINWEIS:** Wenn die 4-Wege-Blinker blinken, ertönt für die Dauer der eingeschalteten Warnblinker zusätzlich ein Warnton. Siehe Abbildung 5 für die Einstellung der Lautstärke.

### Mode-Knopf

Verwenden Sie den Mode-Knopf, um zwischen dem Kilometerzähler, dem Kurzstreckenzähler, der Temperatur und der Uhr zu wechseln.

### Hi-Low Schalter

Mit diesem Schalter wird die Geschwindigkeit des Elektromobils zwischen „HIGH“ (hoch) und „LOW“ (niedrig) umgeschaltet.

- Drücken Sie den **High-Low**-Knopf einmal, um die Geschwindigkeit auf „High“ („Hoch“) einzustellen. Die High-Low-Anzeige wird auf dem LCD-Bildschirm angezeigt. **Siehe Abb. 5.** Wenn Sie diese Einstellung zusammen mit den Einstellungstasten für die Geschwindigkeit verwenden, kann das Elektromobil Geschwindigkeiten bis zur voreingestellten Maximalgeschwindigkeit des Elektromobils erreichen.
- Drücken Sie den **High-Low**-Knopf erneut, um die Geschwindigkeit auf „Low“ (Niedrig) einzustellen. Die High-Low-Anzeige wird auf dem LCD-Bildschirm nicht angezeigt. Wenn Sie diese Einstellung zusammen mit den Einstellungstasten für die Geschwindigkeit verwenden, kann das Elektromobil Geschwindigkeiten bis zur Hälfte der voreingestellten Maximalgeschwindigkeit des Elektromobils erreichen.

### Knöpfe zur Geschwindigkeitsanpassung

Mit Hilfe dieser Einstellknöpfe können Sie die Geschwindigkeit Ihres Elektromobils vorauswählen und begrenzen. Angezeigt wird sie in der Anzeige für die Maximalgeschwindigkeit auf dem LCD-Bildschirm. **Siehe Abb. 5.**

- Drücken Sie auf das Symbol der **Schildkröte**, um die Geschwindigkeit des Elektromobils zu verringern.
- Drücken Sie auf das Symbol des **Hasen**, um die Geschwindigkeit des Elektromobils zu erhöhen.

**HINWEIS:** Je mehr Balken in der Anzeige für die Maximalgeschwindigkeit angezeigt werden, desto höher ist Ihre voreingestellte Maximalgeschwindigkeit. Siehe Abb. 4.

### Gashebel

Mit Hilfe dieser Hebel können Sie die Geschwindigkeit Ihres Elektromobils im Vor- und Rückwärtsgang bis zur Maximalgeschwindigkeit kontrollieren, die Sie wiederum mit Hilfe der Knöpfe zur Geschwindigkeitsanpassung festgelegt haben. An der Unterseite des Lenkgriffs befindet sich links und rechts jeweils ein Hebel für das Gaspedal. **Siehe Abb. 3.**

## II. IHR ELEKTROMOBIL

### Für die Vorwärtsbewegung:

- Drücken Sie den hinteren Teil des Gaspedal-Hebels.

### Für die Rückwärtsbewegung:

- Drücken Sie den vorderen Teil des Gaspedal-Hebels.

Um rückwärts zu fahren, lassen Sie erst den Gashebel los, so dass Ihr Elektromobil zum Stillstand kommt. Drücken Sie dann den Gashebel in die andere Richtung. Bei vollständigem Loslassen des Gashebels, kehrt der Gashebel automatisch in die Ausgangsposition (Stopstellung) zurück. Dabei werden die Bremsen eingeschaltet.

### LCD-BILDSCHIRM UND BEDIENFELD-EINSTELLUNGEN

Das LCD-Bedienfeld bietet praktische und intuitiv verständliche Rückmeldungen auf dem LCD-Bildschirm. **Siehe Abb. 4.** Der LCD-Bildschirm wird auch während der Einrichtung (Aktivierung) der unterschiedlichen Bedienfeld-Einstellungen verwendet. **Siehe Tabelle 1.**

#### LEGENDE

- |  |  |
|--|--|
| 1. ZUSTANDSANZEIGE DER BATTERIE          | 8. AM/PM                               |
| 2. BELEUCHTUNGSANZEGE                    | 9. UHR                                 |
| 3. GESCHWINDIGKEIT/FEHLERCODE/LAUTSTÄRKE | 10. TEMPERATUR                         |
| 4. HI-LOW ANZEIGE                        | 11. ENTFERNUNG/ZEIT/TEMP/FEHLERANZEIGE |
| 5. EINHEITSANZEIGE                       | 12. KURZSTRECKENZÄHLER                 |
| 6. ANZEIGE DER MAXIMALGESCHWINDIGKEIT    | 13. KILOMETERZÄHLER                    |
| 7. ANZEIGE RECHTER BLINKER               | 14. ANZEIGE LINKER BLINKER             |

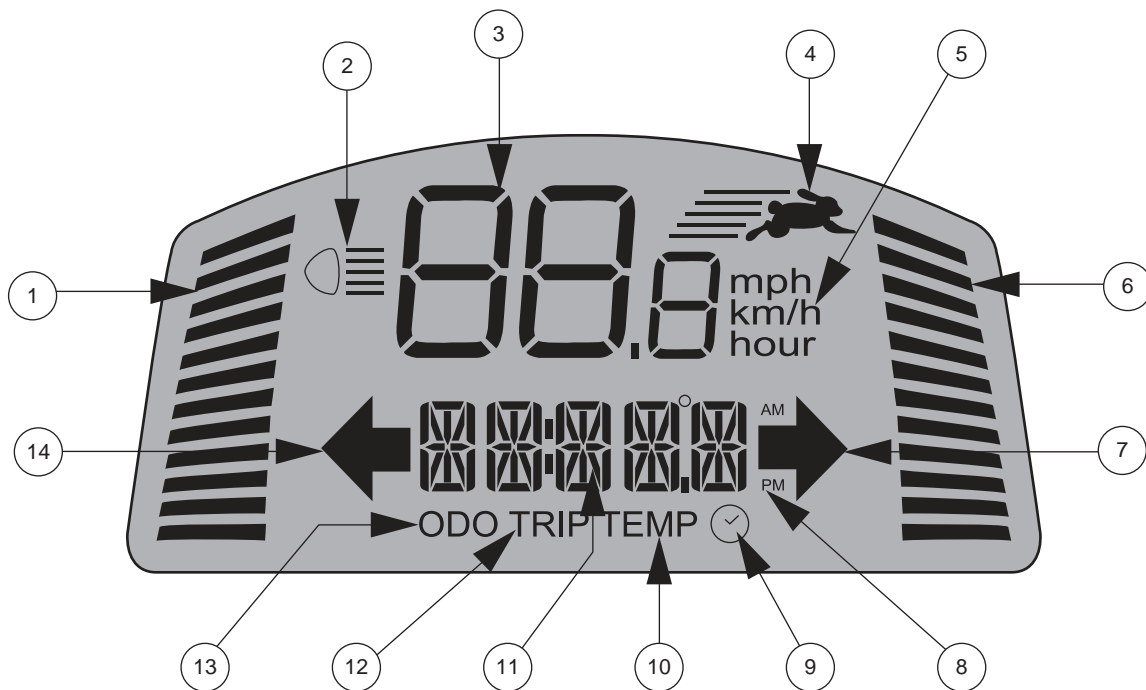


Abb. 4. LCD-Bildschirm

## II. IHR ELEKTROMOBIL

### INFORMATIONEN ZU DEN EINSTELLUNGEN


EINSTELLUNG	CODE	INFORMATIONEN
Kilometerzähler	<b>ODO</b>	Misst mph (Meilen / Stunde), km/h (Kilometer / Stunde) und die Anzahl der genutzten Stunden. Zeigt zudem die insgesamt vom Elektromobil zurückgelegte Entfernung an. (Kann nicht zurückgesetzt werden)
Kurzstreckenzähler	<b>TRIP</b>	Zeigt die zurückgelegte Entfernung während einer Fahrt an. Kann auf "0" zurückgesetzt werden.
Temperatur	<b>TEMP</b>	Zeigt die aktuelle Temperatur in °F oder °C an
Uhr		Zeigt die Zeit im 12-Stunden- (AM/PM) oder 24-Stunden-Format an

Tabelle 1. Informationen zum LCD -Bedienfeld

Drücken Sie **MODE**, bis die Einstellung, die Sie ändern möchten, auf dem LED-Bildschirm angezeigt wird. Halten Sie **SET** gedrückt und befolgen Sie die zu Ihrer Einstellung gehörenden Schritte in **Tabelle 2**.


	<b>ODO</b>	<b>TRIP</b>	<b>TEMP</b>	
<b>BEDIENUNG</b>	Drücken Sie die Taste <b>MODE</b> , bis die Option <b>ODO</b> erscheint.	Drücken Sie die Taste <b>MODE</b> , bis die Option <b>TRIP</b> erscheint.	Drücken Sie die Taste <b>MODE</b> , bis die Option <b>TEMP</b> erscheint.	Halten Sie die Taste <b>MODE</b> gedrückt, bis das Uhrensymbold auf dem Bildschirm erscheint.
<b>AUSWAHL</b>	Halten Sie <b>SET</b> gedrückt und drücken dann gleichzeitig die Taste <b>MODE</b> , bis die Einstellungsoption blinkt. Wechseln Sie zwischen den Optionen, indem Sie die Taste <b>SET</b> drücken.	Halten Sie <b>SET</b> gedrückt. Drücken Sie dann gleichzeitig die Taste <b>MODE</b> für 2 Sekunden und lassen sie wieder los. Halten Sie die Taste <b>SET</b> gedrückt, bis der Tageszähler auf 0,0 zurückgesetzt wird.	Halten Sie <b>SET</b> gedrückt und drücken dann gleichzeitig die Taste <b>MODE</b> , bis die Einstellungsoption blinkt. Wechseln Sie zwischen den Optionen (°F oder °C), indem Sie die Taste <b>SET</b> drücken.	Halten Sie <b>SET</b> gedrückt und drücken dann gleichzeitig die Taste <b>MODE</b> , bis die Stundenziffer blinkt. Erhöhen Sie die Stunden mit der Taste <b>SET</b> auf die gewünschte Zahl. Benutzen Sie weiter die Tasten <b>MODE</b> und <b>SET</b> , um die Minuten- und AM/PM-Einstellung vorzunehmen.
<b>BEENDEN</b>	Wenn die gewünschte Option blinkt, drücken Sie zum Beenden eine beliebige Taste außer <b>SET</b> .	Zum Beenden eine beliebige Taste außer <b>SET</b> drücken.	Wenn Ihre Auswahl blinkt, drücken Sie zum Beenden eine beliebige Taste außer <b>SET</b> .	Zum Beenden eine beliebige Taste außer <b>MODE</b> und <b>SET</b> drücken.

Tabelle 2. LCD-Bedienfeld Informationen

### Batterie-Lademodus

Während der Aufladung der Batterie zeigt die Konsole die Uhrzeit sowie den Batteriezustand an.

## II. IHR ELEKTROMOBIL

### Anzeige Des Batteriezustandes

Wenn der Schlüssel in die "On"-Position gedreht wird, zeigt diese LED-Anzeige den ungefähren Batteriestand an. Wenn die Batteriespannung des Elektromobils eine zu niedrige Stufe erreicht, ertönt ein einmaliger Warnton, an dem Sie erkennen, dass die Batterien aufgeladen werden müssen. Der Warnton ertönt erst dann wieder, wenn das Elektromobil erneut gestartet oder der Gaspedal-Hebel gedrückt wird.

### LED-Anzeige der Maximalgeschwindigkeit

Die Anzeige der Maximalgeschwindigkeit zeigt die Maximalgeschwindigkeit an, welche mit Hilfe der Knöpfe zur Geschwindigkeitsanpassung ausgewählt wurde. Je mehr Balken beleuchtet sind, desto höher ist die Geschwindigkeit. Die Maximalgeschwindigkeit des Elektromobils wird über die HIGH-LOW-Einstellung festgelegt, mit deren Hilfe sich die Maximalgeschwindigkeit bei der Auswahl von LOW um die Hälfte reduziert. Die tatsächliche Fahrgeschwindigkeit wird in der Geschwindigkeitsanzeige auf dem LCD-Bildschirm angezeigt

### Lautstärkeregelung

Die Lautstärke der Warnblinker, der Hupe, des Signaltons bei geringer Spannung, der Blinker und der Piepstöne bei Fehlermeldungen kann separat erhöht, reduziert oder ausgeschaltet werden. **Siehe Abb. 5.**

#### Um die Lautstärke einzustellen:

1. Stellen Sie sicher, dass sich der Schlüssel in der "Off"-Position befindet.
2. Drücken Sie die entsprechenden beiden Knöpfe gleichzeitig (**siehe Tabelle 3**), und drehen Sie den Schlüssel in die "On"-Position.
3. Lassen Sie die Knöpfe los, sobald die Anzeige für die Einstellung der Lautstärke erscheint.
4. Drücken Sie die Hasen-Taste, um die Lautstärke des Piepstons zu erhöhen, und die Schildkröten-Taste, um die Lautstärke zu reduzieren (0 bedeutet ausgeschaltet, und 4 steht für die höchste Lautstärke).
5. Zum Beenden drücken Sie bitte eine beliebige Taste außer dem **Hasen** oder der **Schildkröte**.

**HINWEIS:** Die Sprache der Fehlermeldungen wird genauso wie die Lautstärke eingestellt.

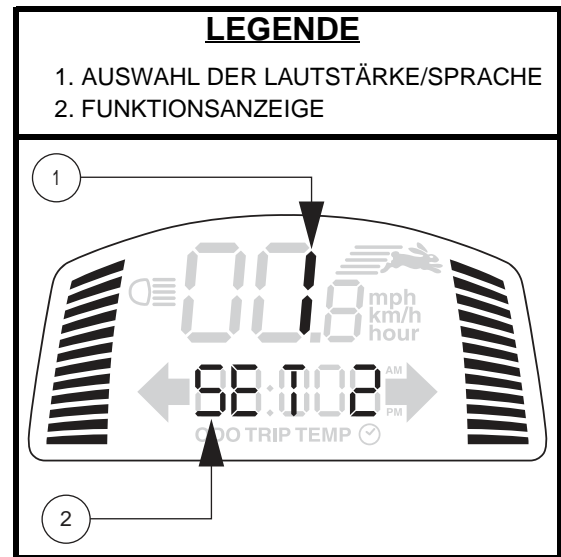


Abb. 5. Anzeige der Lautstärkeeinstellung

FUNKTION	TASTEN	FUNKTIONSANZEIGE
Warnblinker	SET + WARNBLINKER	SET 1
Hupen	SET + HUPEN	SET 2
Niedrige Spannung	SET + RICHTUNGSANZEIGER (LINKS)	SET 3
Richtungsanzeigeschalter	SET + RICHTUNGSANZEIGER (RECHTS)	SET 4
Sprache der Fehlermeldungen	SET + LICHTER	SET 5 6 - Spanisch 5 - Italienisch 4 - Französisch 3 - Deutsch 2 - Holländisch 1 - Englisch 0 - Schließen

Tabelle 3. Informationen zur Lautstärkeeinstellung

## II. IHR ELEKTROMOBIL

### UNTERER LENKER (ausschließlich bei den Modellen 614 und 714 erhältlich)

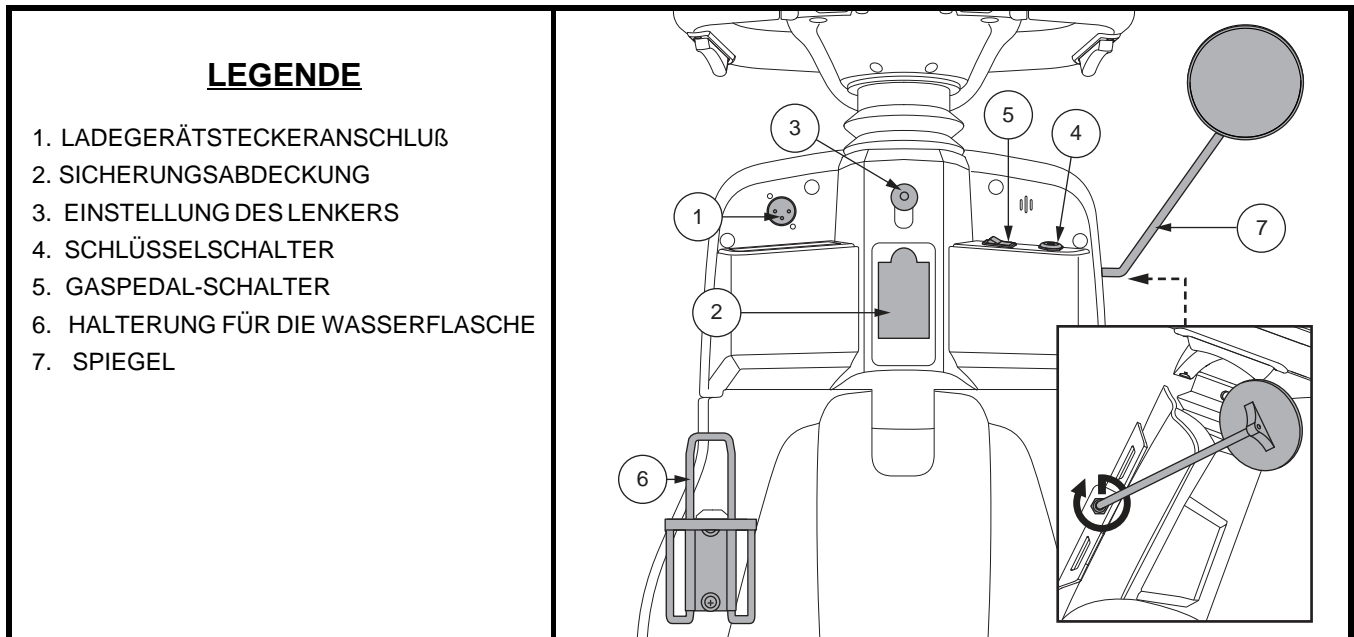


Abb 6. Unterer Lenker Komponenten

#### Steckdose für Ladegerätkabel

Das externe Ladegerätkabel wird in diesem Anschluss eingesteckt, der sich auf dem Lenker oder auf. **Siehe Abb. 7.**

#### Lenkerkonsolen Sicherungen

**Siehe Abb. 2** für weitere Informationen und eine vollständige Beschreibung des Sicherungssystems.

#### Einstellhebel oder Einstellknopf für den Lenker

Sie in Abschnitt V. „Individuelle Anpassung“.

#### Schlüsselschalter

- Um Ihr Elektromobil einzuschalten, den Schlüssel in den Schlüsselschalter ganz einstecken und im Uhrzeigersinn drehen. **Siehe Abb. 6.**
- Um Ihr Elektromobil auszuschalten, den Schlüssel entgegen dem Uhrzeigersinn drehen.



**WARNUNG!** Sollte der Schlüssel während der Fahrt in die „Aus“ Position geschaltet werden, schalten sich die elektronischen Bremsen ein und Ihr Elektromobil wird abrupt zum Stehen kommen!

#### Gaspedal-Schalter

Dieser Schalter legt fest, welcher Gaspedal-Hebel (links oder rechts) funktioniert. **Siehe Abb. 6.**

- Kippen Sie den Schalter nach links, um den linken Gaspedal-Hebel zu aktivieren.
- Kippen Sie den Schalter nach rechts, um den rechten Gaspedal-Hebel zu aktivieren.

**HINWEIS:** Es funktioniert jeweils nur ein Gaspedal-Hebel.

#### Halterung für die Wasserflasche

Die Halterung für die Wasserflasche ist für die Anbringung einer Wasserflasche aus Plastik und in Standardgröße gedacht. Die Halterung kann mit Hilfe der mitgelieferten Ausstattung an beiden Seiten des Elektromobils angebracht werden.

## II. IHR ELEKTROMOBIL

### HECKTEIL

Der manuelle Freilaufhebel, die Stützräder (sofern vorhanden), der Antrieb befinden und der Halterung für ein Sicherheitswimpel (fakultativ) sich im Heckteil Ihres Elektromobils wie gezeigt. **Siehe Abb. 7.** Die Batterien und der Hauptunterbrecher (Rücksetzschalter) sind zwar nicht abgebildet, befinden sich aber ebenfalls am Heckteil des Elektromobils.



**WARNUNG! Bevor Sie ihr Elektromobil in oder aus dem Freilaufbetrieb schalten, entfernen Sie den Zündschlüssel aus dem Schlüsselschalter. Setzen Sie sich niemals auf ihr Elektromobil, solange es sich noch im Freilaufbetrieb befindet. Schalten Sie niemals an einer Steigung Ihr Elektromobil in den Freilaufbetrieb.**

### LEGENDE

1. MANUELLER FREILAUFHEBEL
2. ANTRIEBSBAUGRUPPE
3. STÜTZRÄDER (sofern vorhanden)
4. SICHERHEITSWIMPELHALTERUNG

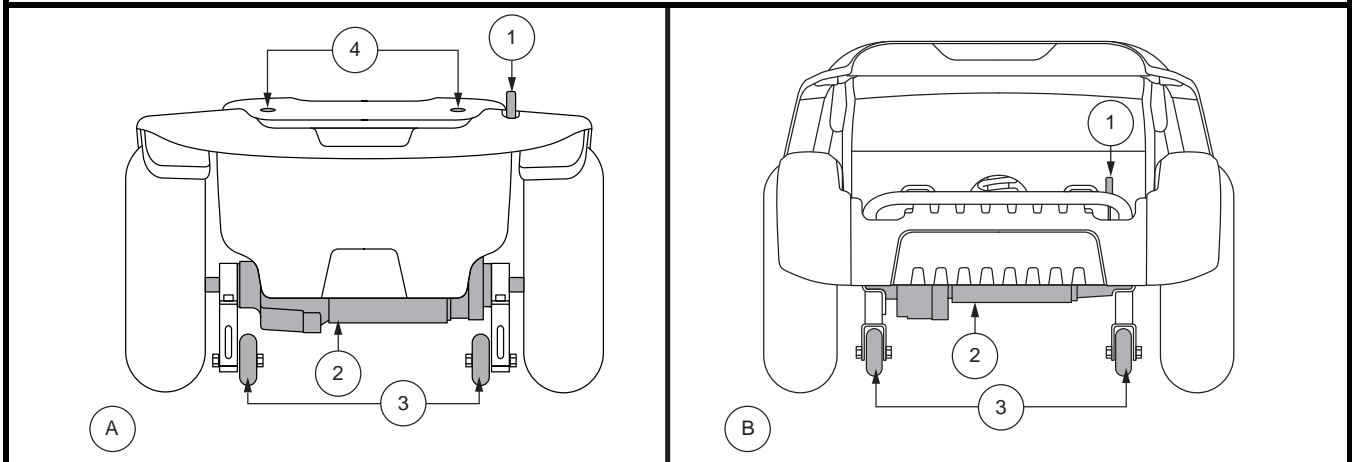


Abb. 7. Heckteil

### Manueller Freilaufhebel

Um Ihr Elektromobil über kurze Strecken zu schieben, können Sie es auf Freilaufmodus umschalten.

1. Den Schlüssel aus dem Schlüsselschalter entfernen.
2. Freilaufhebel hochheben und nach vorne druecken um das Antriebs- und Bremssystem abzuschalten. Danach koennen Sie Ihr Elektromobil schieben.
3. Drücken Sie den manuellen Freilaufhebel nach unten, um das Antriebs- und Bremssystem wieder einzukuppeln; damit wird Ihr Elektromobil aus dem Freilaufmodus geschaltet.



**WARNUNG! Das Bremssystem ist deaktiviert, wenn sich Ihr Elektromobil im Freilaufmodus befindet.**

- Vergewissern Sie sich, dass der Schlüssel aus dem Schlüsselschalter entfernt wurde.
- Stellen Sie sich hinter das Elektromobil, um den Freilaufmodus zu aktivieren oder auszuschalten. Führen Sie diese Funktion nie aus, während Sie auf dem Elektromobil sitzen.
- Nachdem Sie Ihr Elektromobil verschoben haben, stellen Sie ihn immer wieder in den Antriebsmodus, um das Bremssystem zu aktivieren.

**HINWEIS:** Sollte das Elektromobil auf Freilaufmodus geschaltet werden (manueller Freilaufhebel hochgezogen) während sich der Schlüssel in der Einschaltposition befindet, wird das Elektromobil nicht anfahren bis Sie den manuellen Freilaufhebel nach unten geschoben haben und der Schlüssel zuerst ausgeschaltet und dann wieder eingeschaltet wird.



## II. IHR ELEKTROMOBIL

### Antriebsbaugruppe

Die Antriebsbaugruppe ist eine elektromechanische Einheit, die elektrische Energie von Ihrem Elektromobil Batterien in die für den Radantrieb der Elektromobil benötigte mechanische Energie umwandelt.

### Stützräder (sofern vorhanden)

Die Stützräder sind ein integraler und wichtiger Sicherheitsaspekt Ihres Elektromobils. Sie sind am Rahmen im hinteren Bereich Ihres Elektromobils befestigt.



**VERBOTEN! Bauen Sie niemals die Stützräder ab und nehmen Sie keine Änderungen vor, die nicht von ihr hersteller autorisiert sind.**



**WARNUNG! Die Stützräder können beim Hochoder Runterfahren einer Bordsteinkante den ruhigen Lauf Ihres Elektromobils beeinträchtigen. Für mehr Informationen wenden Sie sich bitte an Ihren autorisierten Fachhändler.**

### Batterien

Die Batterien speichern die für das Betreiben Ihres Elektromobil benötigte elektrische Energie. Siehe III. „Batterien und Aufladung“ für Informationen darüber, wie Sie die Batterien Ihres Elektromobils aufladen.

### Sicherheitswimpelhalterung (Fakultativ — Modelle 613/713)

Zubehörhalter für die Anbringung eines optionalen Sicherheitswimpels sind an der Rückseite des Elektromobils angebracht. **Siehe Abb. 7.**

### So bringen Sie einen Sicherheitswimpel an:

1. Nehmen Sie die Kappe von der Oberseite der Halterung ab.
2. Führen Sie die Wimpelstange in die Öffnung ein.

### Hauptunterbrecher

Bei einer zu niedrigen Batteriespannung oder bei der Überlastung des Elektromobils durch schwere Last oder zu große Steigungen, ist ein Auslösen der Hauptunterbrecher möglich, um Motor und Elektronik vor Schäden zu schützen. **Siehe Abb. 8.**

#### ■ Drei Arten:

1. **Reset-Hebel** kippt nach unten, wenn der Trennschalter ausgelöst wird.
2. **Reset-Knopf** schnellt heraus, wenn der Trennschalter ausgelöst wird.
3. **Art des automatischen Resets** setzt sich selbst nach ca. 2 Minuten zurück.

■ Lassen Sie die Elektronik eine oder zwei Minuten lang ruhen.

### LEGENDE

1. HEBELART
  - a. reset-hebel
  - b. manueller ausschaltknopf
2. ART DES RESET-KNOPFES
3. ART DES AUTOMATISCHEN RESETS (MODELLE 614 ODER 714)

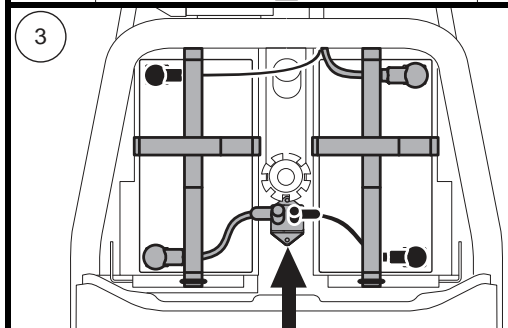
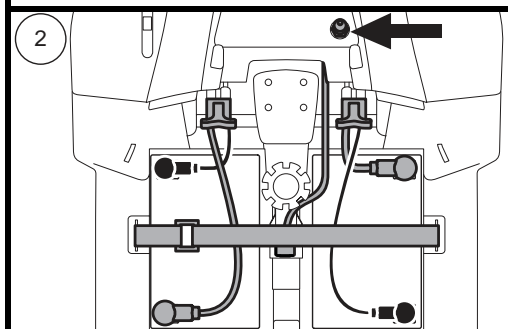
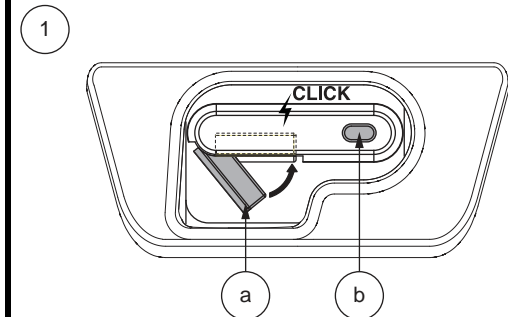


Abb. 8. Hauptunterbrecher

## II. IHR ELEKTROMOBIL

- Drücken Sie den Schalter, um die Sicherung zurückzustellen.
- Bei mehrfachem Auslösen der Sicherung sollten Sie die Batterien öfter aufladen oder einen Batterieladungstest von Ihrem autorisierten Fachhändler durchführen lassen.
- Bei wiederholtem Auslösen der Sicherung wenden Sie sich an Ihren autorisierten Fachhändler, um eine Watung durchzuführen.

**HINWEIS:** Wenn Sie das Elektromobil für den Transport oder für die Nutzung vorbereiten, oder wenn eine Situation nach einer manuellen Abschaltung des Elektrosystems verlangt, drücken Sie den manuellen Ausschaltknopf an der Sicherung. Dies unterbricht die komplette Stromversorgung des Elektromobils.

### SICHERUNGSPUNKTE

An den Winkeln der Stützräder und/ oder dem vorderen Rahmen Ihres Elektromobils angeschweißte Stahllösendienen als Sicherungspunkte. **Siehe 9 und 10.** Diese sollten nur benutzt werden, wenn das Elektromobil nicht besetzt ist und mit einem zugelassenen Sicherungssystem gemäß Herstellerangaben befestigt wird. Wir führt weder Eignungsnachweise für die Nutzung mit speziellen Sicherungssystemen durch, noch könnten wir die unterschiedlichen Situationen, die sich bei Gebrauch im öffentlichen Verkehr ergeben könnten, voraussehen. Für ausführliche Anweisungen für die Benutzung der Sicherungssysteme, wenden Sie sich bitte an die örtliche Verkehrsbehörde und/ oder Hersteller des eingesetzten Systems.



**WARNUNG! Versichern Sie sich, dass Ihr Elektromobil während des Transports in Fahrkraftzeugen ordnungsgemäß gesichert ist. Elektromobile, die nicht gesichert sind, können zu Schaden oder Gefahr von Benutzer und anderen Passagieren im Falle von plötzlichem Anhalten, oder scharfen Lenkungen, sowie zum Umkippen oder zur Seite rutschen des Elektromobils führen. Sichern Sie das Elektromobil nicht an abnehmbaren Teilen wie Armlehnen, Sitz, Korb, Zubehöralterungen usw.**

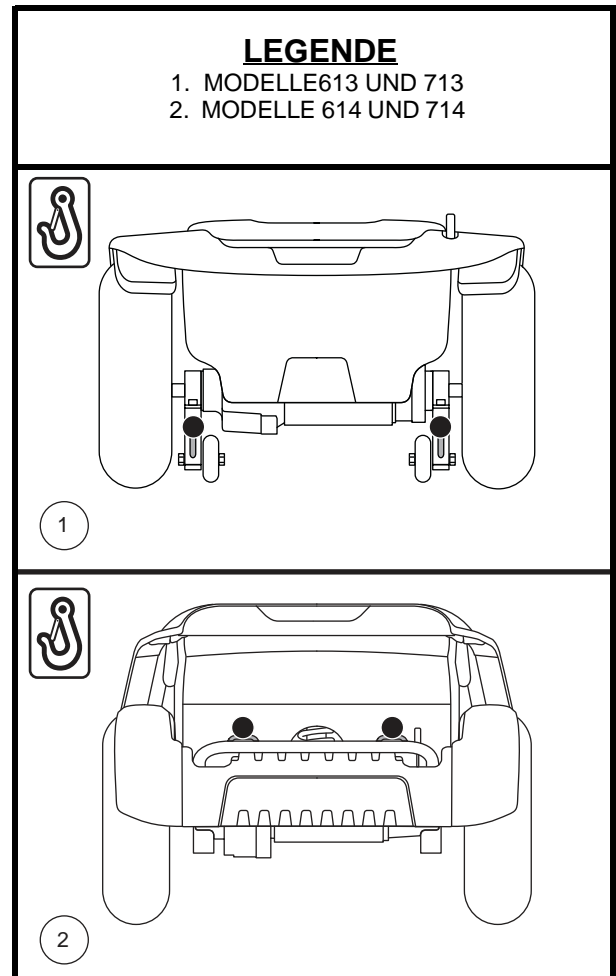


Abb. 9. Hintere sicherungspunkte (Durch schwarze Punkte gekennzeichnet)

## II. IHR ELEKTROMOBIL

### LEGENDE

1. 3-RAD MODELLE
2. 4-RAD MODELLE

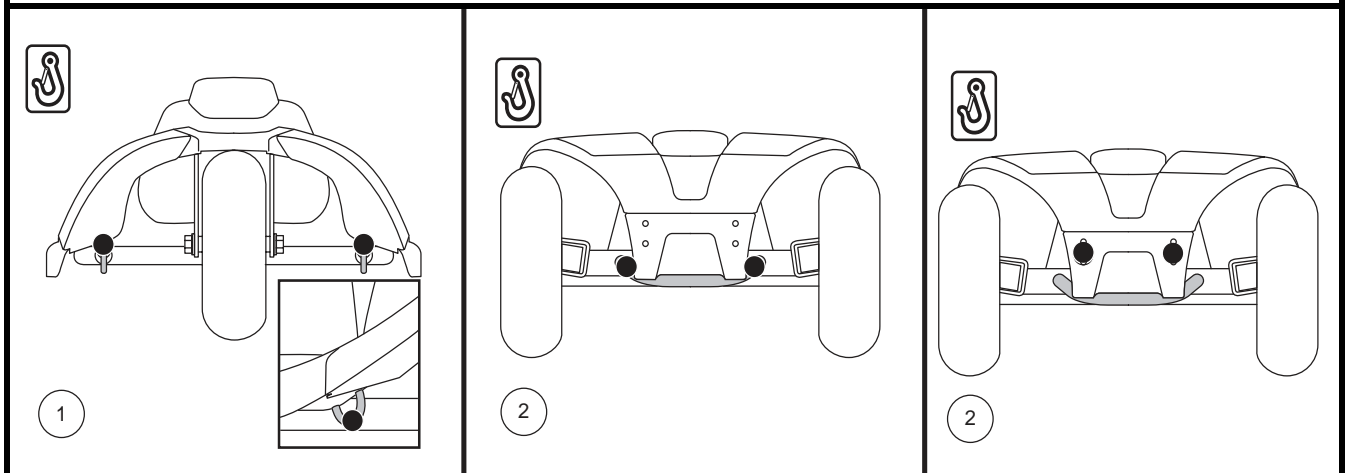


Abb. 10. Vordere sicherungspunkte (Durch schwarze Punkte gekennzeichnet)

# III. BATTERIEN UND AUFLADUNG

## BATTERIEN UND AUFLADUNG

Ihr Elektromobil ist mit zwei versiegelten und wartungsfreien 12 V Batterien ausgerüstet. Diese werden über ein externes Ladegerät wiederaufgeladen.

- Laden Sie die Batterien Ihres Elektromobils vor der ersten Benutzung mindestens 8 bis 14 Stunden lang auf.
- Ihre Batterien sollten immer vollständig aufgeladen sein, um das einwandfreie Betreiben Ihres Elektromobils zu gewährleisten.

## ABLESEN DER BATTERIESPANNUNG

Der Batterieanzeiger auf der Lenkerkonsole zeigt die ungefähre Kapazität der Batterien mittels einer Farbcodierung an. Von rechts nach links gelesen: bei Grün sind die Batterien vollgeladen, Gelb zeigt eine Entladung an und bei Rot ist eine sofortige Aufladung der Batterien nötig. Um die Ladung zu prüfen, muss das Ladegerätkabel herausgezogen und Ihr Elektromobil eingeschaltet werden. **Siehe Abb. 11.** Um die größtmögliche Genauigkeit zu erreichen, sollte der Batterieanzeiger des Elektromobils bei maximaler Geschwindigkeit auf trockenem, ebenem Untergrund getestet werden. Lesen Sie sich für Modelle mit LCD-Bildschirm bitte den Abschnitt "Anzeige des Batteriezustandes" auf Seite 134 durch.

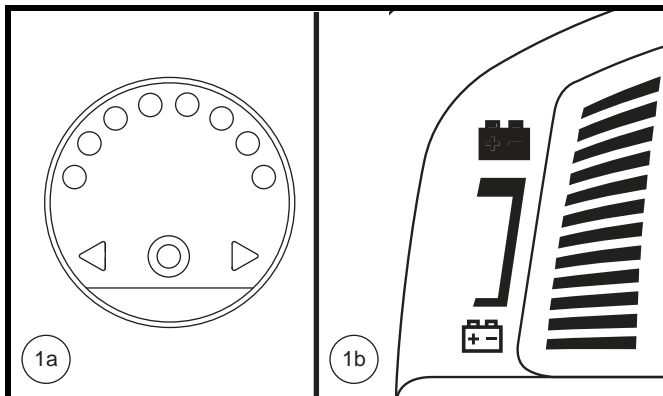


Abb. 11. Batterieanzeige

## AUFLADEN DER BATTERIEN



**VERBOTEN!** Das Entfernen des Erdungsstiftes kann zu elektrischer Gefährdung führen. Wenn notwendig, installieren Sie einen zugelassenen 3-poligen Adapter an einem elektrischen Ausgang mit einer 2-poligen Steckdose.



**VERBOTEN!** Benutzen Sie niemals eine Verlängerung mit dem Ladegerät. Stecken Sie das Ladegerät direkt in eine korrekt verkabelte Normsteckdose.



**VERBOTEN!** Vermeiden Sie während des Ladevorgangs das unbeaufsichtigte Spielen von Kindern in der Nähe des Elektromobils. Ihr Hersteller empfiehlt, die Batterien nicht bei besetztem Elektromobil zu laden.



**ANWEISUNG!** Lesen Sie vor dem Aufladen der Batterien die Anweisungen zum Batterieladen in diesem Handbuch.



**WARNUNG!** Während des Ladevorganges können explosive Gase entstehen. Halten Sie das Elektromobil und das Batterieladegerät fern von jeder Zündquelle, wie Flammen oder Funken, und sorgen Sie für eine angemessene Belüftung während Sie die Batterien laden.

**WARNUNG!** Sie müssen die Batterien Ihres Elektrorollstuhls mit dem mitgelieferten separaten Batterieladegerät aufladen. Verwenden Sie kein Batterieladegerät für Automobile.

**WARNUNG!** Überprüfen Sie vor jedem Gebrauch das Ladegerät, die Verkabelung und Steckverbindungen auf Beschädigungen. Wenden Sie sich an Ihren autorisierten Fachhändler, sobald Sie eine Beschädigung feststellen.



**WARNUNG!** Versuchen Sie nicht, das Gehäuse des Ladegeräts zu öffnen. Sollte das Ladegerät nicht einwandfrei funktionieren, wenden Sie sich an Ihren autorisierten Fachhändler.

**WARNUNG!** Ist Ihr Ladegerät mit Kühlschlitzen ausgestattet, versuchen Sie nicht, Gegenstände durch diese Schlitze zu schieben.

# III. BATTERIEN UND AUFLADUNG



**WARNUNG!** Beachten Sie, dass sich das Gehäuse des Batterieladegeräts während des Ladevorgangs erhitzen kann. Vermeiden Sie die Berührung und stellen Sie das Gerät nicht auf eine Fläche, die durch Hitze beschädigt werden könnte.



**WARNUNG!** Ist Ihr externes Ladegerät nicht für den Gebrauch im Freien getestet und zugelassen, setzen Sie es nicht widrigen oder extremen Wetterbedingungen aus. Sollte das Ladegerät mal widrigen oder extremen Wetterbedingungen ausgesetzt sein, muss es die Möglichkeit haben, sich an die Unterschiede in den Umweltbedingungen anpassen zu können, bevor Sie es wieder innerhalb von geschlossenen Räumen verwenden.

Befolgen Sie die folgenden einfachen Schritte für eine sichere Ladung der Batterien:

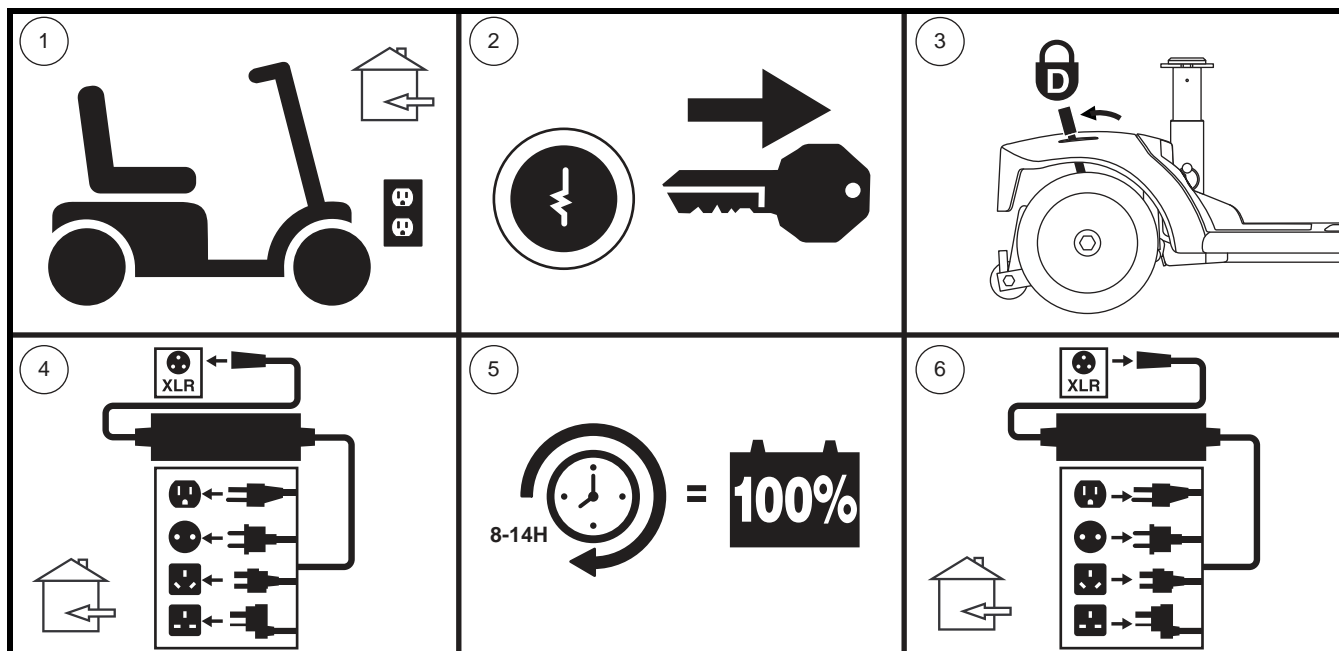


Abb. 12. Vorgehensweise zum Aufladen der Batterien



**WARNUNG!** Die LED Lichter am Ladegerät zeigen die jeweiligen Ladezustände zu den unterschiedlichen Zeiten an. Falls die LED nicht innerhalb von 24 Stunden anzeigt, dass der Ladevorgang abgeschlossen wurde, trennen Sie das Ladegerät von der Steckdose und wenden sich an Ihren Händler. Benutzen Sie bitte die mit dem Ladegerät gelieferte Bedienungsanleitung für eine vollständige Erklärung dieser Anzeichen.

**HINWEIS:** Ihr Elektromobil verfügt über eine Ladeunterbrechungsfunktion. Ihr Elektromobil wird sich nicht bewegen, und der Batterieanzeiger wird nicht funktionieren, solange die Batterien aufgeladen werden.

## HÄUFIG GESTELTE FRAGEN

### Wie funktioniert das Ladegerät?

Bei niedriger Batteriespannung des Elektromobils ist der Ladestrom von dem Ladegerät dementsprechend hoch. Sobald sich die Batteriespannung der Vollladung nähert, wird die Ladestromzufuhr von dem Ladegerät niedriger. Bei Vollladung liegt die Stromzufuhr bei Null Ampere. Folglich kann das angeschlossene Ladegerät die Stromzufuhr aufrechterhalten, ohne dabei die Batterien zu überladen. Anweisungen zum Aufladen finden Sie in der mit dem Ladegerät gelieferten Anleitung.

# III. BATTERIEN UND AUFLADUNG

## **Darf ich ein anderes Ladegerät benutzen?**

Die Ladegeräte werden exakt auf ihre speziellen Anwendungen ausgesucht und auf den Typ, Größe und die chemische Zusammensetzung der entsprechenden Batterie abgestimmt. Wir empfehlen Ihnen, nur das als Originalzubehör mit Ihrem Produkt gelieferte Ladegerät zu verwenden, um das Elektromobil auf die sicherste und ökonomischste Weise aufzuladen. Jegliche Methode, die Batterie mit anderen Geräten aufzuladen, ist ausdrücklich verboten.

## **Warum laden die Elektromobilbatterien nicht auf?**

- Vergewissern Sie sich, dass die roten (+) und schwarzen (-) Batteriekabel ordnungsgemäß an den Batteriepolen befestigt sind.
- Achten Sie darauf, dass beide Enden des Ladegerätkabels richtig eingesteckt sind.

## **Wie oft muss ich die Batterien aufladen?**

Um entscheiden zu können, wie oft Sie die Elektromobilbatterien aufladen sollen, sollten Sie zwei Hauptfaktoren berücksichtigen:

- Tägliche, ganztägige Verwendung Ihres Elektromobils.
- Seltene oder sporadische Verwendung Ihres Elektromobils.

Unter Berücksichtigung dieser Faktoren kann man entscheiden, wie oft und wie lange die Batterien aufgeladen werden müssen. Das externe Batterieladegerät ist so konzipiert, dass eine Überladung der Batterien verhindert wird. Dennoch können Probleme auftauchen, wenn Sie die Batterien selten oder unregelmäßig aufladen. Um für ein gefahrloses und zuverlässiges Betreiben und Aufladen der Batterien zu sorgen, folgen Sie den im Folgenden erwähnten Richtlinien:

- Wenn Sie Ihr Elektromobil täglich verwenden, laden Sie die Batterien auf, sobald am jeweiligen Tag keine weitere Benutzung mehr zu erwarten ist. Das Elektromobil ist dann am nächsten Morgen einsatzbereit. Wir empfehlen Ihnen, die Batterien nach der täglichen Benutzung wenigstens 8 bis 14 Stunden aufzuladen. Es ist ratsam, den Ladevorgang weitere 4 Stunden fortzusetzen, nachdem das Ladegerät volle Batterien angezeigt hat.
- Wenn Sie Ihr Elektromobil einmal wöchentlich oder weniger verwenden, laden Sie die Batterien mindestens einmal pro Woche für wenigstens 24 Stunden auf.

***HINWEIS: Achten Sie darauf, die Batterien vollständig aufzuladen, und vermeiden Sie Tiefentladungen. Anweisungen zum Aufladen finden Sie in der mit dem Ladegerät gelieferten Anleitung. Zur Verbesserung von Leistung und Lebensdauer empfiehlt Ihren autorisierten Fachhändler, die Batterien mindestens einmal im Monat ohne Unterbrechung für 48 Stunden aufzuladen.***

## **Wie Sorge ich für eine lange Lebensdauer der Batterien?**

Voll aufgeladene zyklenfeste Batterien erbringen eine zuverlässige Leistung und haben ein langes Betriebsleben. Achten Sie darauf, dass die Batterien möglichst immer voll aufgeladen sind. Entladene, unregelmäßig aufgeladene oder unvollständig aufgeladene und dann eingelagerte Batterien können dauerhaft beschädigt werden, so dass es zu einer unzuverlässigen Leistung und einem begrenzten Betriebsleben kommen kann.

***HINWEIS: Schalten Sie für eine längere Lebensdauer der Batterien das Elektromobil bei Nichtbenutzung stets aus und ziehen den Schlüssel ab.***

## **Wie kann ich mit einer Batterieladung die maximale Reichweite erreichen?**

Sie werden selten ideale Fahrverhältnisse erleben, wie z.B. glatte, ebene, feste Oberflächen ohne Wind und Kurven. Sie werden oft mit Steigungen, Spalten im Fußweg, unebenen und weichen Oberflächen, Kurven und Wind konfrontiert werden, die die Reichweite und Betriebszeit pro Batterieladung beeinflussen können. Zum Erreichen einer maximalen Reichweite pro Batterieladung schlagen wir folgendes vor:

# III. BATTERIEN UND AUFLADUNG

- Vor der Verwendung laden Sie Ihre Elektromobilbatterien voll auf.
- Achten Sie immer auf den korrekten Luftdruck in allen Reifen (wenn Ihr Elektromobil mit Luftbereifung ausgestattet ist).
- Versuchen Sie beim Planen Ihrer Fahrstrecke, Steigungen, sowie beschädigte oder weiche Oberflächen zu vermeiden.
- Nehmen Sie kein unnötiges Gepäck mit.
- Versuchen Sie, während der Fahrt ein gleichmäßiges Tempo zu halten.
- Stop-and-go Fahren vermeiden.
- Zur Verbesserung von Leistung und Lebensdauer empfehlen wir, die Batterien mindestens einmal im Monat ohne Unterbrechung für 48 Stunden aufzuladen.
- Stellen Sie sicher, dass alle Kabelverbindungen ordnungsgemäß hergestellt sind.

## Welche Art von Batterien soll ich verwenden?

Wir empfehlen verschlossene und wartungsfreie zyklenfeste Batterien. Verschlossene AGM und Gel-Zelle Batterien sind zyklenfeste Batterien, die eine ähnliche Betriebsleistung aufweisen. Verwenden Sie nie Nasszellenbatterien, die abnehmbare Kappen haben.



**WARNUNG! In Batterien können korrosive Chemikalien enthalten sein. Verwenden Sie nur AGM oder Gelzellen-Batterien, um das Risiko von Undichtheiten oder explosiven Bedingungen zu verringern.**

**HINWEIS:** Versiegelte Batterien sind nicht einsatzbereit. Entfernen Sie nicht die Kappen.

## Warum bringen neue Batterien nicht gleich die volle Leistung?

Zyklenfeste Batterien verwenden eine andere chemische Technologie als Kraftfahrzeugbatterien, Nickelkadmium Batterien (NiCad) oder andere herkömmliche Batterien. Zyklenfeste Batterien wurden speziell dafür entwickelt, um Energie zu liefern, eine Entladung zu erlauben und eine relativ schnelle Aufladung zu erreichen.

Um Ihr Elektromobil und dessen spezifische elektrische Anforderungen mit den am besten geeigneten Batterien zu versorgen, arbeiten wir eng mit unserem Batteriehersteller zusammen. Neue Batterien werden voll aufgeladen an unsere Kunden ausgeliefert. Während des Transportes können die Batterien extremen Temperaturschwankungen ausgesetzt werden, welche die ursprüngliche Leistung beeinflussen können. Hitze verringert die Spannung, durch Kälte wird die Abgabe der vorhandenen Leistung verlangsamt und die Batterieladezeit verlängert.

Es kann einige Tage dauern, bevor die Temperatur der Batterien sich stabilisiert und sich der neuen Umgebungstemperatur angepasst hat. Darüber hinaus sind einige Nachladungen (Teilentladungen mit anschließenden Vollladungen) nötig, um das kritische chemische Gleichgewicht zu schaffen, das für die Höchstleistung und eine lange Lebensdauer der zyklenfesten Batterie erforderlich ist.

## Um Ihre neuen Batterien für maximale Leistung und Kapazität vorzubereiten, befolgen Sie diese Schritte:

1. Vor der ersten Verwendung die neuen Batterien voll aufladen. Dadurch erreicht die Batterie 88% des Leistungsniveaus.
2. Fahren Sie Ihr Elektromobil in einer sicheren Umgebung und fahren Sie zuerst langsam. Fahren Sie keine weiten Strecken oder in unbekanntes Gebiet, bevor Sie sich an die Steuerung gewöhnt haben und die Batterien richtig eingelaufen sind.
3. Batterien nochmals voll aufladen. Die Batterien müssen jetzt über 90% ihres Leistungspotentials abgeben.
4. Ihr Elektromobil nochmals in Betrieb nehmen, und Batterien nochmals voll aufladen.
5. Nach vier oder fünf Nachladungen erbringen die Batterien 100% ihrer Spitzenleistung und erreichen eine längere Betriebsdauer.

# III. BATTERIEN UND AUFLADUNG

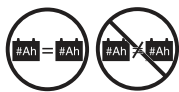
## Was ist mit öffentlichen Verkehrsmitteln?

AGM- und Gel-Batterien sind für die Verwendung in Elektromobilen und anderen Mobilitätsmitteln entwickelt worden. Diese Batterien sind von der Federal Aviation Administration (FAA) genehmigt (nur USA), was sicheren Transport in Flugzeugen, Bussen und Zügen gewährleistet, da keine Gefahr einer Verschüttung oder eines Lecks besteht. Wir empfehlen Ihnen, sich vorab am Ticketschalter des Transportunternehmens zu melden, um dessen spezifischen Anforderungen zu erfragen.

## Wie wechsel ich die Batterie in meinem Elektromobil?



**ANWEISUNG!** Batteriestutzen, Pole und Zubehörteile sind bleihaltig oder beinhalten Bleiverbindungen. Schützen Sie Augen und Hände. Nach Arbeiten an den Batterien stets die Hände reinigen.



**VERBOTEN!** Immer zwei Batterien identischen Typs, chemischen Aufbaus und identischer Amperestundenkapazität (Ah) verwenden. Die empfohlenen Typen und Kapazitäten finden Sie in der Tabelle mit technischen Daten in diesem Handbuch und in dem mit dem Batterieladegerät gelieferten Handbuch.

**WARNUNG!** Keine alten und neuen Batterien mischen. Immer beide Batterien gleichzeitig auswechseln.

**WARNUNG!** Falls Sie irgendwelche Fragen bezüglich der Batterien in Ihrem Elektromobil haben, wenden Sie sich bitte an Ihren Vertragslieferanten.



**WARNUNG!** Die Batterie nicht auswechseln, wenn sich jemand im Elektromobil befindet.

**WARNUNG!** Die Batterien in Ihrem Elektromobil sollten nur von einem Vertragslieferanten oder einem qualifizierten Techniker gewartet oder ausgetauscht werden.



**VERBOTEN!** Halten Sie Werkzeuge oder andere Metallobjekte von den Batterieanschlüssen fern. Der Kontakt mit Werkzeugen kann einen elektrischen Schlag auslösen.

## Für die Batteriewechsel benötigen Sie:

- Metrische/ Standard Innensechskantschlüsselsatz und Ratsche
- Einstellbarer Schraubenschlüssel



**WARNUNG!** Das Heben von Gewichten über Ihr Leistungsvermögen hinaus kann zu Verletzungen führen. Falls erforderlich, holen Sie bei der Zerlegung Ihres Elektromobils Hilfe.

## Batterie-Austausch:

- Entfernen Sie den Sitz und die hintere Abdeckung. **Siehe Abb. 13.**
  - Für modellen 614 und 714, entfernen Sie die Batterie Abdeckung indem Sie die zwei (2) Rändelschrauben, die es am Scooter Rahmen befestigen, abschrauben und die Abdeckung hoch und vom Scooter heben. **Siehe Abb. 13.**
  - Für modellen 614 und 714, entfernen Sie die Batterie Abdeckung indem Sie die vier (4) Rändelschrauben, die es am Scooter Rahmen befestigen, abschrauben und die Abdeckung hoch und vom Scooter heben. **Siehe Abb. 13.**
- Lösen Sie den Haltegurt der Batterie(s).

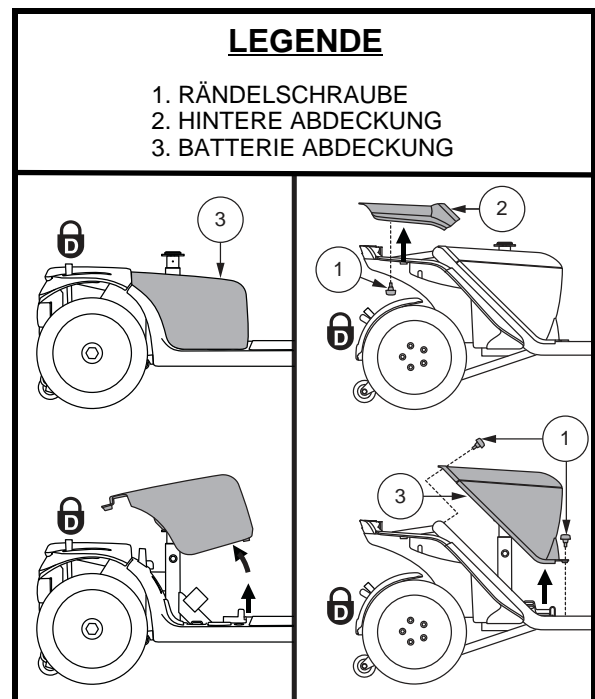


Abb. 13. Entfernung/Ersetzung der Abdeckung



# III. BATTERIEN UND AUFLADUNG

3. Bei allen Modellen AUSSER 614 und 714 ziehen Sie bitte das von vorne nach hinten verlaufende Kabel ab. Entfernen Sie beide Batteriekabel, indem Sie jedes Kabel aus seinem Gegenstecker ziehen. Siehe Abb. 14.



**WARNUNG!** Ziehen Sie niemals direkt an einem Stromkabel, um es vom Elektromobil zu trennen. Halten Sie zum Trennen des Kabels stattdessen den Stecker. Dadurch wird eine Beschädigung der Drähte vermieden.

**WARNUNG!** Wenn Sie die beiden Batteriekabel und das von vorne nach hinten verlaufende Kabel nicht entfernen, bevor das Vorder- und Rückteil voneinander getrennt werden, könnte dies zu dauerhaften Schäden am Elektromobil führen.

## LEGENDE

1. HAUPTUNTERRBRECHER
  - 1a. Reset-Taste
  - 1b. Rückstellhebel
  - 1c. Auto-Reset-Stil
2. BATTERIEANSCHLÜSSE BEFINDEN SICH UNTER DEN ANSCHLUSSKÄPPCHEN
3. ZENTRALVERBINDUNGSKABELANSCHLÜSSE
4. BATTERIEKABEL-ANSCHLUSSE
5. ZENTRALVERBINDUNGSKABEL

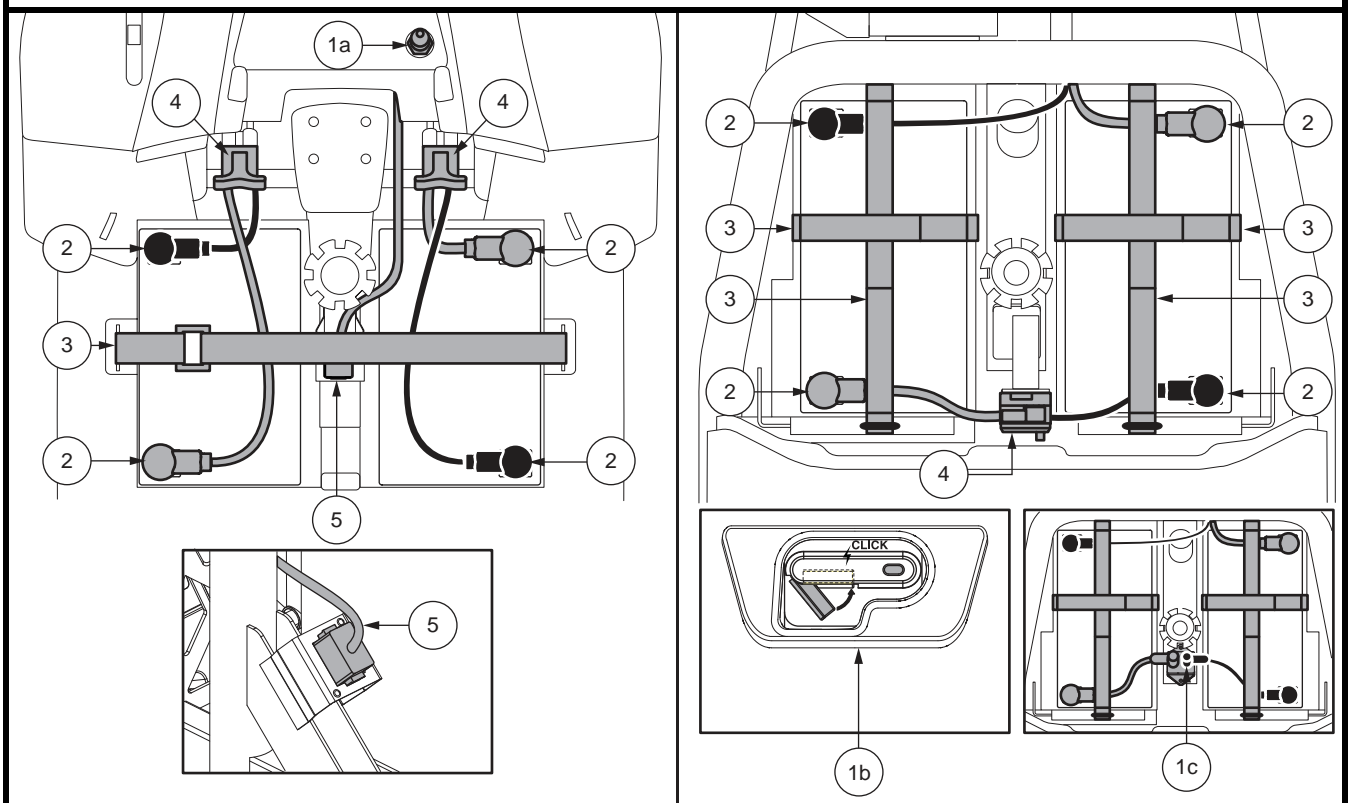


Abb. 14. Batterie Ausbau/Einbau Batteriepole und stecker

### III. BATTERIEN UND AUFLADUNG

4. Trennen Sie die Batterienkabel von den Batterienanschlüssen, indem Sie die Anschlusskappen zurückschieben und die Mutter abschrauben. **Siehe Abb. 15.**
5. Entfernen Sie die alten Batterien.

**HINWEIS:** Einige Elektromobile verfügen über Abstandhalter zur Sicherung der Batterien. Unter Umständen ist es sinnvoll, die Abstandhalter zu entfernen und sicher aufzubewahren, bis die Batterien im Elektromobil ausgetauscht worden sind. Siehe Abb. 16.

6. Legen Sie in jedes Batteriefach eine neue Batterie ein. Drehen Sie die Batterieklemmen jeder Batterie von der Sattelstütze weg, so dass die positiven (+) und negativen (-) Batterieklemmen wie in **Abb. 14** angezeigt positioniert sind.

**HINWEIS:** Die Modelle 614 und 714 verwenden Batterieriemen, um Batterien im Batteriefach zu sichern. Bitte sehen Sie sich für Informationen zur Anbringung der Batterieriemen **Abb. 16** an.

7. Schließen Sie das rote Batteriekabel an den Pluspol (+) Batterieanschluss auf jeder Batterie an.
8. Schließen Sie das schwarze Batteriekabel an den Minuspol (-) Batterieanschluss auf jeder Batterie an.
9. Neupositionierung der Anschlusskappen auf die Schrauben.
10. Schließen Sie den Haltegurt an.
11. Installieren Sie wieder den Sitz, die batterie Abdeckung und die hintere Abdeckung.

**HINWEIS:** Beschädigte Batterien sollen in Plastik verpackt werden. Setzen Sie sich mit Ihrem autorisierten Fachhändler in Verbindung, um Anweisungen bezüglich der Entsorgung zu erhalten. Ihr Fachhändler hat zusätzliche von uns empfohlene Informationen zum Batterierecycling.

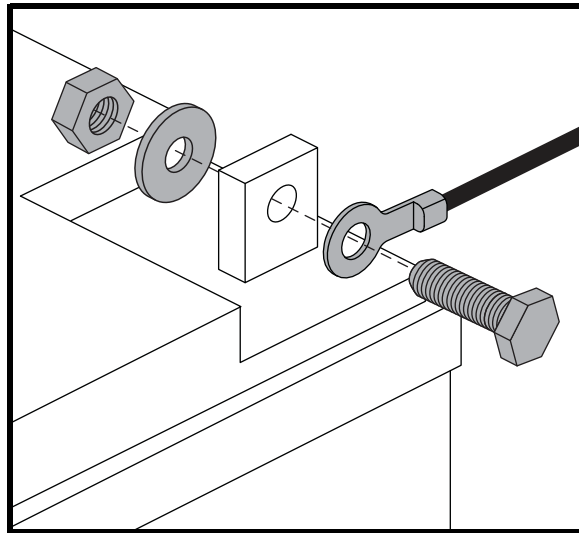


Abb 15. Befestigungselemente für den Batterieanschluss

# III. BATTERIEN UND AUFLADUNG

## Batteriesicherung und Riemenführung

1. Sichern Sie die Batterien in den Batteriefächern, indem Sie die mitgelieferten Batterieriemen wie angezeigt durch die Schlitz der Batteriefächer führen.
2. Stellen Sie sicher, dass der kurze Riemen über dem langen Riemen verläuft.

**HINWEIS:** *Bevor Sie beide Riemen befestigen, stellen Sie bitte sicher, dass der D-Ring wie hier angezeigt angebracht wurde. Der D-Ring sollte sich innerhalb von 2,54 cm (1 in.) des Batteriefaches befinden, es jedoch keinesfalls berühren.*

3. Überschüssige Bänder sollten zur Rückseite des Elektromobils hin ausgerichtet oder nahe der Sattelstütze platziert werden.



**WARNUNG!** Die Batterieriemen sollten niemals unterhalb der Batterien positioniert werden.

### LEGENDE

1. WIEDERVERWENDBARBER VERSCHLUSS
2. KURZER RIEMEN
3. LANGER RIEMEN
4. D-RING

5. VORDERSCHLITZ
6. SEITENSCHLITZ
7. HINTERER SCHLITZ
8. BATTERIE-ABSTANDHALTER

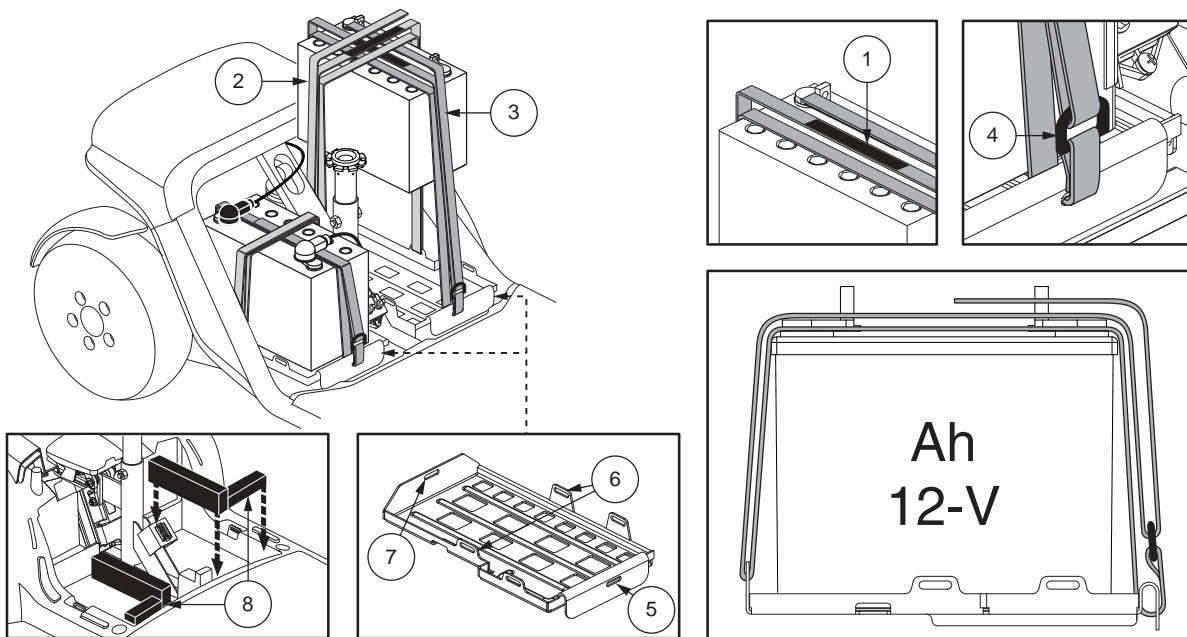


Abb. 16. Batteriesicherung für die Modelle 614 und 714

# IV. HANDHABUNG

## VOR DER FAHRT

- Haben Sie Ihre Batterien voll aufgeladen? Siehe III. „Batterien und Aufladung.“
- Ist der manuelle Freilaufhebel in der Antriebsstellung (nach hinten)? Lassen Sie den manuellen Freilaufhebel niemals in der Freilaufstellung (nach vorne), es sei denn, Ihr Elektromobil wird geschoben.
- Stellen Sie sicher, dass die Lufttemperatur zwischen -13°F/-25°C bis 122°F/50 ° C ist.

## DAS AUFSTEIGEN

1. Nehmen Sie den Schlüssel aus dem Schlüsselschalter.



**WARNUNG! Versuchen Sie nie auf Ihr Elektromobil zu steigen ohne erst den Schlüssel aus dem Schlüsselschalter zu entfernen. Hierdurch wird jegliches unerwartetes Anfahren durch unbeabsichtigte Berührung des Gashebels vermieden.**

2. Stellen Sie sich neben Ihr Elektromobil.
3. Entriegeln Sie den Sitzverschluss unter dem Sitz und drehen Sie die Sitzfläche zu sich.
4. Auf ein sicheres Einrasten des Sitzes achten.
5. Setzen Sie sich bequem und sicher auf den Sitz.
6. Entriegeln Sie den Sitzverschluss und drehen sie die Sitzfläche in Fahrtrichtung.
7. Auf ein sicheres Einrasten des Sitzes achten.
8. Stellen Sie Ihre Füße sicher auf den Boden des Elektromobils.

## FAHRBEREITSCHAFT HERSTELLEN

- Ist Ihr Sitz in der richtigen Höhe? Siehe V. „Individuelle Anpassung.“
- Ist der Sitz richtig eingerastet?
- Ist der Lenker in einer für Sie bequemen Stellung ausgerichtet und richtig arretiert? Siehe V. „Individuelle Anpassung.“
- Ist der Schlüssel richtig in dem Schlüsselschalter eingesteckt?
- Funktioniert die Hupe?
- Haben Sie freie Fahrt?
- Haben Sie Ihre Fahrt so geplant, um ungünstige Oberflächen und so viel Steigungen wie möglich zu vermeiden?

## BETRIEB IHRES ELEKTROMOBILS

**WARNUNG! Das folgende kann einen negativen Einfluss auf die Lenkbarkeit und Stabilität während des Betriebes Ihres Elektromobils haben:**

- Festhalten oder festbinden der Leine Ihres Haustieres, wenn Sie mit ihm Gassi gehen.
- Transport von Mitfahrern (einschließlich Haustieren).
- Anhängen jeglicher Gegenstände am Lenker.
- Abschleppen oder von einem anderen motorisierten Fahrzeug geschoben werden.



**WARNUNG: Gefahr des Umfallens! Vermeiden Sie abrupte Manöver mit ueberhoehter Geschwindigkeit. Es wird empfohlen, dass Sie die niedrigste Einstellung der Geschwindigkeit waehlen, bis Sie sich mit Ihrem Elektromobil familiaer und sicher fuehlen.**

**WARNUNG! Der Bremsweg des Elektromobils ist bei Gefälle länger als auf ebener Fahrbahn.**

**WARNUNG! Halten Sie jederzeit während der Fahrt beide Hände an der Lenkkonsole und Ihre Füße auf dem Trittbrett. Diese Fahrposition erlaubt Ihnen die bestmögliche Kontrolle über Ihr Fahrzeug.**

## IV. HANDHABUNG

- Geschwindigkeitsvorwahlschalter auf die von Ihnen gewünschte Geschwindigkeit stellen.
- Ziehen Sie die entsprechende Seite des Geschwindigkeitsvorwahlschalters.
- Die elektromechanische Parkbremse wird automatisch ausgekuppelt und Ihr Elektromobil wird zügig auf die von Ihnen mit dem Vorwahlschalter vorgewählte Geschwindigkeit beschleunigt.
- Um links zu fahren, ziehen Sie an dem linken Lenkergriff.
- Um rechts zu fahren, ziehen Sie an dem rechten Lenkergriff.
- Um geradeaus zu fahren, stellen Sie den Lenker in die Mitte.
- Um die Geschwindigkeit zu verringern und zum Stillstand zu kommen, den Gashebel loslassen. Beim Stillstand schalten sich die elektromechanischen Bremsen automatisch ein.

**HINWEIS:** Die Rückwärtsgeschwindigkeit Ihres Elektromobils ist langsamer als die jeweils eingestellte Vorwärtsgeschwindigkeit.

### DAS ABSTEIGEN

1. Ihr Elektromobil zum Stillstand bringen.
2. Schlüssel aus dem Schlüsselschalter entfernen.



**WARNUNG! Versuchen Sie nie auf Ihr Elektromobil zu steigen ohne erst den Schlüssel aus dem Schlüsselschalter zu entfernen. Hierdurch wird jegliches unerwartetes Anfahren durch unbeabsichtigte Berührung des Gashebels vermieden.**

3. Entriegeln Sie den Sitzverschluss und drehen Sie die Sitzfläche seitlich Ihres Elektromobils.
4. Achten Sie auf ein sicheres Einrasten des Sitzes.
5. Steigen Sie vorsichtig und sicher ab und stellen Sie sich neben Ihr Elektromobil.
6. Um bei der nächsten Fahrt ein leichtes Aufsteigen zu ermöglichen, den Sitz in dieser Stellung lassen.

### ABSCHALTAUTOMATIK

Ihr Elektromobil ist mit einer energiesparenden Abschaltautomatik ausgerüstet, die konzipiert wurde, um die Batteriebensdauer Ihres Elektromobils zu gewährleisten. Sollten Sie versehentlich den Schlüssel in dem Schlüsselschalter stecken lassen und Ihr Elektromobil ungefähr 20 Minuten nicht benutzen, schaltet sich die Elektromobilsteuerung automatisch aus. Auch wenn die elektronische Steuerung durch die Abschaltautomatik ausser Betrieb gesetzt wird, brennen sämtliche vorher eingeschalteten Lichter weiter.

Sollte die Abschaltautomatik Ihr Elektromobil ausschalten, wird der Normalbetrieb durch die Ausführung der folgenden Schritte wiederhergestellt:

1. Schlüssel aus dem Schlüsselschalter entfernen.
2. Schlüssel wieder in dem Schlüsselschalter einstecken und Ihr Elektromobil einschalten.

# V. INDIVIDUELLE ANPASSUNG

## EINSTELLUNG DES LENKERWINKELS (Siehe Abb. 1 oder 6)

**WARNUNG!** Vor der Einstellung des Lenkers den Schlüssel entfernen. Versuchen Sie niemals während der Fahrt den Lenker einzustellen.

**WARNUNG!** Drücken und ziehen Sie vor der Verwendung des Elektromobils am Lenker, um sich zu vergewissern, dass der Winkeleinstellmechanismus festgestellt ist. Inspizieren Sie den Lenkereinstellknopf und den Winkeleinstellmechanismus, um sicherzustellen, dass sie vollständig gesichert sind. Falls sich der Lenker bewegt, vergewissern Sie sich, dass der Lenkereinstellknopf vollständig angezogen ist.



**WARNUNG!** Versuchen Sie nicht, den Einstellhebel für den Lenker als Handbremse zu nutzen.

**HINWEIS:** Um den Lenker auf die Bodenmitte herun erzulassen, muß der Sitz erst entfernt werden.

## SPIEGEL

Anpassung (siehe Abb. 1 oder 6):

1. Wenn Sie wissen, an welcher Seite der Spiegel angebracht werden soll, den Gummiverschluss von der Oberseite des Gleitstangengriffes entfernen.
2. Setzen Sie das Ende mit dem Gewinde des Spiegelhalters in die Öffnung und drehen Sie es nach rechts bis es fest ist.
3. Wenn nötig drehen Sie die Mutter im Uhrzeigersinn, um den Spiegel besser und fester zu befestigen.

**Den Spiegel einstellen:**

1. Setzen Sie sich in Fahrposition.
2. Den Spiegel nach links, rechts, nach oben oder nach unten einstellen, sodass Sie eine gute Sicht haben.

## RÜCKENLEHNE NEIGUNG VERSTELLEN



**WARNUNG!** Benutzen Sie Ihr Elektromobil nicht, wenn sich die Rückenlehne in einer geneigten Stellung befindet.

**WARNUNG!** Drücken Sie Ihren Rücken während der Neigungseinstellung ständig gegen die Rückenlehne.

Um die verstellbare Rückenlehne einzustellen, befolgen Sie diese Schritte. **Siehe Abb. 17.**

1. Neigungshebel ziehen und vorwärts oder rückwärtslehnen, um die gewünschte Rückenlehnenneigung zu finden.
2. Ist die gewünschte Fahrposition gefunden, den Neigungshebel loslassen.

## SITZROTATION

Sie können den Sitz mit Hilfe des Sitzrotationshebels in verschiedenen Positionen feststellen.

1. Zum Entriegeln des Sitzes den Sitzverschluss je nach Sitztyp entweder nach oben ziehen oder nach vorne schieben. **Siehe Abb. 17.**

### LEGENDE

1. RÜCKLEHNE NEIGUNGSEBEL
2. SITZFLACHE
3. EINSTELLSCHEIBE
4. HEBEL ZUM VERSCHIEBEN DER SITZPOSITION
5. ZUBEHÖRHALTERUNG
6. SICHERUNGSSTIFF

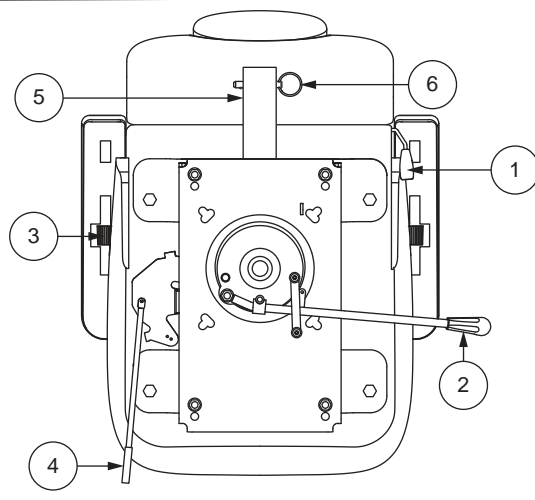


Abb. 17. Sitzeinstellungen

# V. INDIVIDUELLE ANPASSUNG

2. Drehen Sie den Sitz in die gewünschte Position.
3. Lassen Sie den Hebel wieder los, um den Sitz in dieser Position zu sichern.

## EINSTELLUNG DES ARMLEHNENWINKELS

Der Armlehnenwinkel Ihres Elektromobils kann nach oben oder nach unten verstellt werden durch das Drehen der Einstellscheiben. **Siehe Abb. 17.**

**HINWEIS:** Um das Auf- und Absteigen zu erleichtern, können die Armlehnen auch nach oben geschwenkt werden.

## EINSTELLUNG DER SITZTIEFE

Der Abstand zwischen dem Sitz und dem Lenker kann durch das Vorwärts- oder Rückwärtsschieben des Sitzes eingestellt werden.

1. Drehen Sie den Hebel zur Verstellung der Sitzposition nach aussen. **Siehe Abb. 17.**
2. Solange Sie den Hebel festhalten, rutschen Sie mit dem Sitz rückwärts oder vorwärts.
3. Lassen Sie den Hebel wieder los, sobald der Sitz die gewünschte Position erreicht hat.

## ZUBEHÖRHALTERUNG

Die Zubehöralterung am Heck ermöglicht es Ihnen, persönliche Zubehörfkomponenten wie Korb, Gehhilfe oder Sauerstofftank hinter dem Elektromobil anzubringen. Verwenden Sie den Sicherungsstift, um das Zubehörteil sicher an der Halterung zu befestigen. **Siehe Abb. 17.** Für weitere Informationen wenden Sie sich an Ihren Vertragshändler.

## EINSTELLUNG DER SITZHÖHE

Der Sitz kann in verschiedenen Höhenstellungen eingestellt werden. **Siehe Abb. 18.**

1. Entfernen Sie den Sitz und die hintere Abdeckung von Ihrem Elektromobil
2. Sitz aus der Sitzstütze heben.
3. Lösen und Entfernen der Sitzhöhenverstellungsschraube und-mutter.
4. Verschieben Sie die obere Sitzstütze auf- oder abwärts in der unteren Sitzstütze.
5. Bringen Sie die Einstelllöcher der oberen und unteren Sitzstützen in Übereinstimmung.
6. Installieren und befestigen Sie Sitzhöhenverstellungsschraube und -mutter.
7. Montieren Sie den Sitz wieder und sichern Sie ihn in der gewünschten Position.

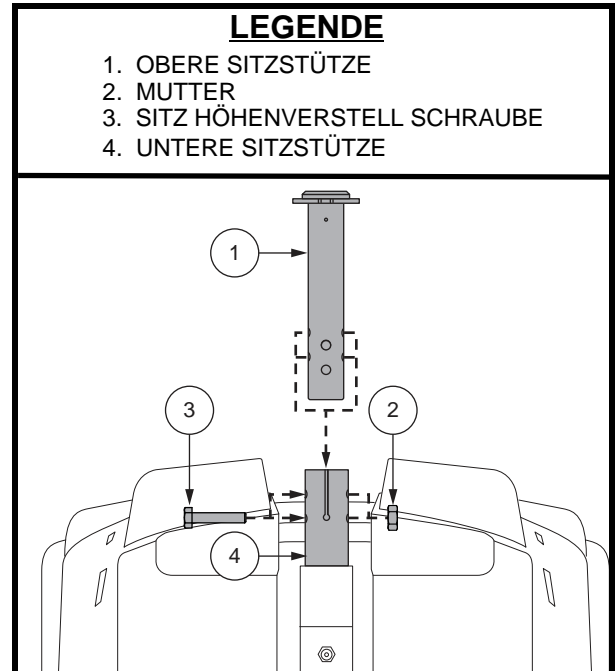


Abb. 18. Einstellung der Sitzhöhe

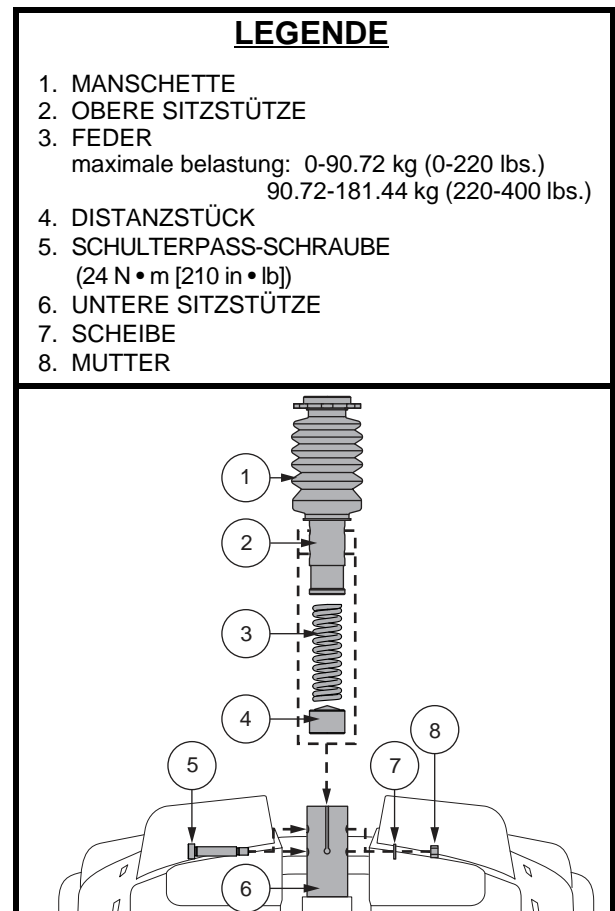


Abb. 19. Einstellung der Sitzhöhe - Gefederten komfort-sitzstütze

# V. INDIVIDUELLE ANPASSUNG

## EINSTELLUNG DER SITZHÖHE - KOMFORT-SITZSTÜTZE (FALLS VORHANDEN)

So stellen Sie den Sitz auf eine der beiden Höhen ein:

1. Nehmen Sie den Sitz vom Elektromobil ab. Zum Entriegeln den Sitzverschluss nach vorne drücken und festhalten. Dann den Sitz drehen und vom Elektromobil heben.
2. Nehmen Sie die Heckverkleidung ab.
3. Schieben Sie die Manschette der Sitzstütze nach oben, um die Befestigungselemente zu erreichen.
4. Drücken Sie die Sitzstütze nach unten, während Sie die Schulterpassschraube, die Unterlegscheibe und die Mutter lösen und entfernen. **Siehe Abb. 19.**
5. Entfernen Sie die Komfortfeder.
6. Um den Sitz zum oberen Montageloch anzuheben, fügen Sie das Distanzstück ein. Um den Sitz zum unteren Montageloch abzusenken, entfernen Sie das Distanzstück.
7. Bringen Sie die Komfortfeder wieder an.
8. Halten Sie die Sitzstütze in der gewünschten Höhe und richten die Einstelllöcher der oberen und unteren Sitzstütze aufeinander aus. Verwenden Sie die oberen Löcher für die obere Stellung und die unteren Löcher für die untere Stellung.

**HINWEIS:** Wenn der Sitzrahmen in aufrechte Position montiert ist, müssen Sie zwei Abstandhalter verwenden.

9. Drücken Sie die Sitzstütze nach unten, während Sie die Befestigungselemente anbringen und anziehen 24 N • m (210 in • lb).
10. Die Heckverkleidung und den Sitz wieder installieren.

## EINSTELLUNG DER SITZFEDERUNG (FALLS VORHANDEN)

Sie erreichen eine härtere oder weichere Sitzfederung, indem Sie die entsprechende Komfortfeder installieren.

So stellen Sie die Sitzfederung ein:

1. Nehmen Sie den Sitz vom Elektromobil ab. Zum Entriegeln den Sitzverschluss nach vorne drücken und festhalten. Dann den Sitz drehen und vom Elektromobil heben.
2. Nehmen Sie die Heckverkleidung ab.
3. Schieben Sie die Manschette der Sitzstütze nach oben, um die Befestigungselemente zu erreichen.
4. Drücken Sie die Sitzstütze nach unten, während Sie die Schulterpassschraube, die Unterlegscheibe und die Mutter lösen und entfernen.
5. Entfernen Sie die installierte Feder.
6. Bringen Sie die gewünschte Komfortfeder an. **Siehe Abb. 19.**
7. Drücken Sie die Sitzstütze nach unten, während Sie die Befestigungselemente anbringen und anziehen 24 N • m (210 in • lb).
8. Die Heckverkleidung und den Sitz wieder installieren.

## RÜCKHALTEGURTE (FAKULTATIV)

Ihr Elektromobil ist mit einem Rückhaltegurt ausgestattet, der dem Benutzer angepaßt werden kann. Der Rückhaltegurt wurde konzipiert, um ein Auf- oder Abwärtsrutschen des Fahrers zu verhindern. Der Rückhaltegurt ist nicht als Rückhaltesystem entwickelt worden.



**WARNUNG! Der Haltegurt ist nicht zum Gebrauch als Gurt in einem Kraftfahrzeug geeignet. Genauso wenig eignet sich Ihr Elektromobil als Sitzplatz in einem Kraftfahrzeug. Jeder in einem Fahrzeug Reisende sollte ordentlich angeschnallt sein, in Sitzen, die vom Hersteller zugelassen sind.**

**WARNUNG! Den Rückhaltegurt stets sichern. Lassen Sie den Rückhaltegurt niemals herunterhängen oder am Boden schleifen, da er sich sonst an anderen Objekten verfangen könnte.**



## V. INDIVIDUELLE ANPASSUNG

Um den Rückhaltegurt einzubauen (falls erforderlich):

1. Sitz abmontieren.
2. Sitz umdrehen, um die Unterseite einzusehen. **Siehe Abb. 20.**
3. Die zwei Schrauben am äußersten Teil des Sitzbefestigungsriemens lösen und entfernen.
4. Auf beiden Seiten des Sitzes je eine Schraube durch das entsprechende Ende des Rückhaltegurtes und dann wieder durch den Sitzbefestigungsriemen stecken.
5. Schrauben wieder festziehen.

### Rückhaltegurt mit Schloss

Um den Rückhaltegurt anzupassen:

1. Schloßzunge in das Schloßteil stecken, bis der Schnellverschluß hörbar einrastet. **Siehe Abb. 21.**
2. Das Gurtband auf der rechten Seite bis auf die gewünschte Weite ziehen. Der Gurt soll stramm gezogen aber bequem sein.

So lösen Sie den Rückhaltegurt:

1. Drücken Sie den Druckknopf des Kunststoffgehäuses.

### Rückhaltegurt mit Klettverschluss

Um den Rückhaltegurt anzupassen:

1. Führen Sie die beiden Enden des Gurts zusammen, so dass die eine Seite des Klettverschlusses, an der sich die Schlaufen befinden, direkt über der raueren Seite mit den Widerhaken liegt. Zum Sichern fest zusammendrücken. **Siehe Abb. 21.**

So lösen Sie den Rückhaltegurt:

1. Ziehen Sie das Gurtende, an dem sich die Klettverschluss-Schlaufen befinden, nach oben, um es vom anderen Ende zu lösen.

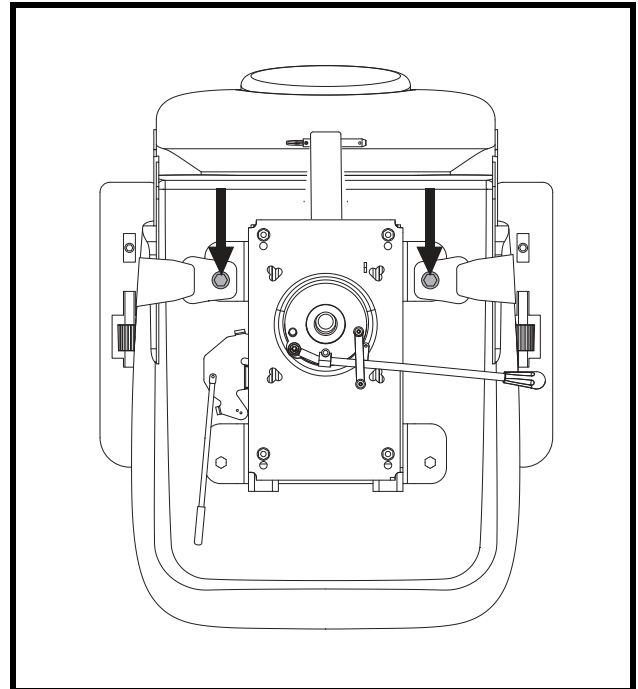


Abb. 20. Befestigungsschrauben des Rückhaltegurtes

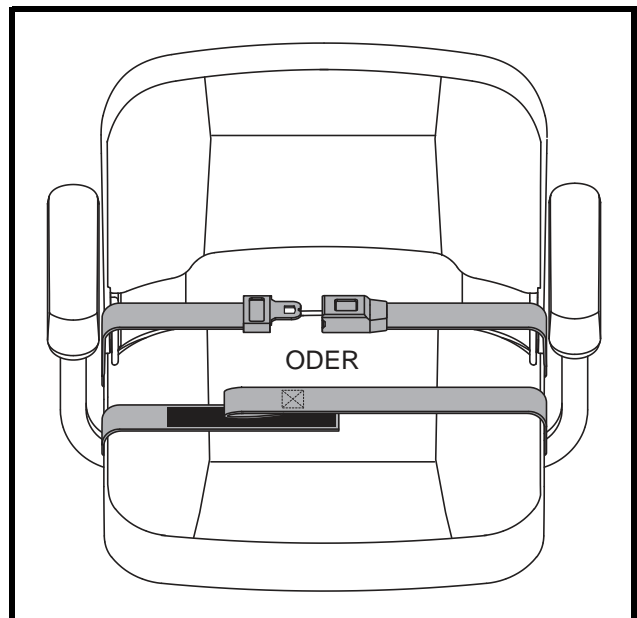


Abb. 21. Rückhaltegurte - Rückhaltegurt mit Schloss oder Rückhaltegurt mit Klettverschluss

**WICHTIG! Stellen Sie sicher, dass der Rückhaltegurt ordnungsgemäß am Elektromobilbefestigt und für den Benutzer angepasst wurde.**



**WICHTIG! Untersuchen Sie den Rückhaltegurt vor jeder Benutzung des Elektromobils auf lose Teile oder Schäden, z. B. Risse, abgenutzte Stellen, verbogene Teile, beschädigte Verschlüsse, Schmutz oder Fremdkörper. Wenn Sie ein Problem feststellen, wenden Sie sich für die Ausbesserung oder Reparatur an Ihren Vertragshändler.**

## VI. ZERLEGEN UND ZUSAMMENBAUEN

**HINWEIS:** Bitte lesen Sie sich die *Elektromobil-Ausstattungstabelle* auf der Seite 122, um zu bestimmen, ob Ihr *Elektromobil-Modell* für den Transport oder zu Aufbewahrungszwecken auseinandergebaut werden kann.

### ZERLEGEN

Sie können Ihr *Elektromobil* in sieben Baugruppen zerlegen: den Sitz, das Heckteil, das Vorderteil, den Korb, das Batterien und die Heckteilabdeckung. **Siehe Abb. 22.** Für den Zusammenbau oder die Demontage sind keine Werkzeuge notwendig, aber denken Sie daran, dass die auseinander gebauten Baugruppen mehr Platz auf dem Fußboden benötigen, als im zusammengebauten Zustand. Demontieren oder montieren Sie Ihr *Elektromobil* nur auf einer ebenen, trockenen Unterlage mit genügend Raum für die Arbeit mit ungefähr 1,5 meters (5 feet) Freiraum, um das *Elektromobil* herum in alle Richtungen. Vergessen Sie nicht, dass einige Baugruppen schwer sind und Sie Hilfe benötigen könnten, wenn Sie sie anheben.



**WARNUNG!** Das Heben von Gewichten über Ihr Leistungsvermögen hinaus kann zu Verletzungen führen. Falls erforderlich, holen Sie bei der Zerlegung Ihres *Elektromobils* Hilfe.

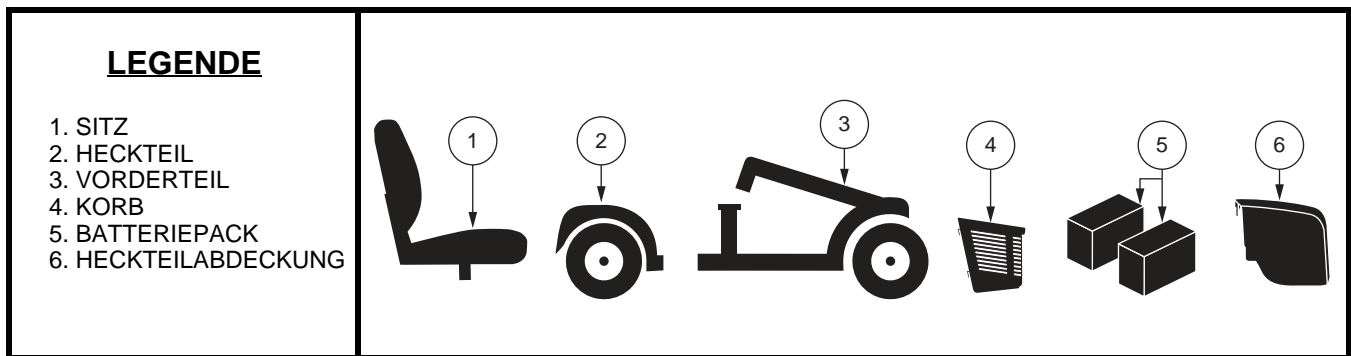


Abb. 22. *Elektromobil* Komponenten

1. Entfernen Sie den Sitz indem Sie ihn gerade hoch heben. Wenn Sie auf Widerstand stoßen, lösen Sie den Schwenkhebel und rütteln Sie den Sitz hin und her während des Hochhebens.
2. Ziehen Sie die Batteriehaube vorsichtig vorwärts hoch und vom *Elektromobil* weg.
3. Entfernen Sie den Batterie Haltegurt.
4. Vorder-Heckteilverbindungskabel trennen.
5. Entfernen Sie beide Batteriegurte und ziehen Sie diese einzeln nach oben. **Siehe Abb. 14.**
6. Nehmen Sie die Batterien aus ihren Mulden.

**HINWEIS:** Wenn zur Sicherung der Batterien Abstandhalter angebracht sind, entfernen Sie die Abstandhalter und bewahren Sie sie sicher auf, bis das *Elektromobil* wieder zusammengebaut ist. **Siehe Abb. 16.**



**WARNUNG!** Fehler beim Entkoppeln der beiden Batteriekabel und der Vorder-/Heckteilverbindungskabel bevor Sie das Vorder- und Heckteil trennen, können einen dauerhaften Schaden an Ihrem *Elektromobil* hervorrufen.

# VI. ZERLEGEN UND ZUSAMMENBAUEN

## Trennung der Rahmenteile

1. Die Vorräder müssen gerade nach vorne gerichtet sein.
2. Senken den Lenker ab

**HINWEIS:** Der Lenker ist mit einem Mechanismus ausgestattet, der die Vorderräder feststellt, wenn der Lenker in der untersten Position und gesichert ist.

3. Festhalten und Hochheben am Rahmenlösehebel **Siehe Abb. 23.**
4. Vorderrahmen hochheben bis sich der Vorderrahmen vom Rückrahmen löst.
5. Trennen Sie vorsichtig die beiden Teile.

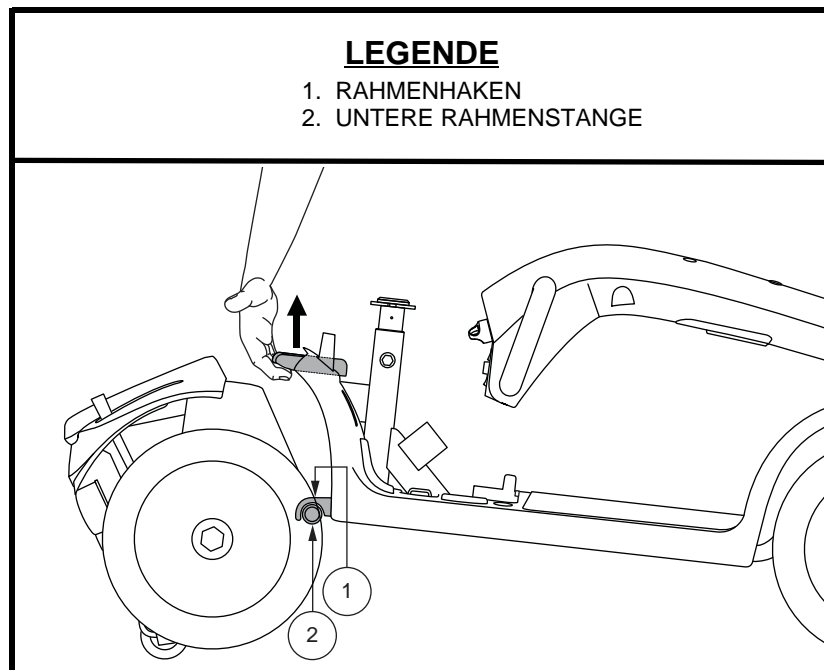


Abb. 23. Rahmenverriegelungshebel

## ZUSAMMENBAU

1. Vorder- und Heckteil Ihres Elektromobils wie in **Abb. 23** dargestellt positionieren.
2. Benutzen Vorderteils den Rahmenverriegelungshebel Sie zum Anheben und richten Sie die Rahmenhaken des Vorderteils an der unteren Rahmenstange des Heckteils aus.
3. Wenn sich die Rahmenhaken über der unteren Rahmenstange befinden, senken Sie das Vorderteil ab und drehen gleichzeitig das Heckteil. Bei am meisten den Modellen greift dadurch automatisch die Rahmenverriegelung.
4. Den Hebel anheben.
5. Vorder-Heckteilverbindungskabel anschließen.
6. Bringen Sie die Batterie-Abstandhalter gegebenenfalls wieder an. **Siehe Abb. 16.**
7. Die Batterien wieder in die Mulden stellen.
8. Schließen Sie alle Batteriekabel ordnungsgemäß an. **Siehe Abb. 14.**
9. Absichern der Batteriehaltergurte.
10. Batterierahmen installieren.
11. Sitz installieren und in Position drehen.

## VII. FEHLERSUCHE

Bei jedem elektromechanischen Gerät muss gelegentlich eine Fehlersuche durchgeführt werden. Dennoch, durch Nachdenken und mit gesundem Menschenverstand können viele der auftretenden Probleme behoben werden. Viele Probleme werden durch entladene oder fehlerhafte Batterien verursacht.

### DIAGNOSTISCHE PIEPCODES

Die diagnostischen Blinkcodes für Ihr Elektromobil wurden entwickelt, um Ihnen zu helfen, die Fehlersuche schnell und einfach durchzuführen. Ein diagnostischer Blinkcode ertönt sollte sich eine der nachstehenden Konditionen entwickeln. **Siehe Abb. 24 oder 25.**

**HINWEIS:** *Bevor Ihr Elektromobil wieder in Betrieb genommen werden kann, muss der Fehlerzustand erst behoben und Ihr Elektromobil erst aus- und eingeschaltet werden.*

PIEPCODE	FEHLERZUSTAND	LÖSUNG
■ (1)	Batterieladung zu niedrig.	Batterien aufladen.
■ ■ (2)	Batterieladung niedrig, um das Elektromobil zu betreiben.	Batterien aufladen.
■ ■ ■ (3)	Die Batteriespannung ist zu hoch, um das Elektromobil zu betreiben oder das Ladegerät ist ange schlossen.	Stecken sie den Schlüssel in den Schlüsselschalter, stellen Sie die Elektromobilscheinwerfer an, um die Batterien zu entladen.
■ ■ ■ ■ (4)	Spannungsgrenze Zeitsperre überschritten.	Schalten Sie das Elektromobil für einige Minuten aus, dann starten Sie das Elektromobil wieder.
■ ■ ■ ■ ■ (5)	Der manuelle Freilaufhebel ist in der Freilaufposition.	Ziehen Sie den Schlüssel aus dem Schlüsselschalter, drücken Sie den Freilaufhebel in die Fahrposition und starten Sie das Elektromobil wieder.
■ ■ ■ ■ ■ ■ (6)	Der Gashebel ist nicht in der Starstellung beim Anlassen.	Prüfen Sie, ob die Batterien vollständig geladen sind. Wenn die Batterien vollständig geladen sind, ziehen Sie den Fahrhebel in die Mittelstellung und schalten das Elektromobil dann aus und wieder ein.
■ ■ ■ ■ ■ ■ ■ (7)	Geschwindigkeitspotentiometer fehlerhaft.	Wenden Sie sich für Unterstützung an Ihren autorisierten Fachhändler.
■ ■ ■ ■ ■ ■ ■ ■ (8)	Motorspannung fehlerhaft.	Wenden Sie sich für Unterstützung an Ihren autorisierten Fachhändler.
■ ■ ■ ■ ■ ■ ■ ■ ■ (9)	Andere internal Fehler.	Wenden Sie sich für Unterstützung an Ihren autorisierten Fachhändler.

Abb. 24. Modellen bei Lenkerkonsole A

## VII. FEHLERSUCHE

### Was ist, wenn alle Systeme meines Elektromobils 'tot' zu sein scheinen?

- Kontrollieren Sie, ob der Schlüssel in der Einschaltposition gedreht worden ist.
- Batterien auf Vollladung kontrollieren.
- Hauptsicherungsschalter drücken. Siehe II. „Ihr Elektromobil.“
- Vergewissern Sie sich, dass das Zentralverbindungskabel richtig angeschlossen ist.
- Vergewissern Sie sich, dass der Stromsparmodus nicht eingeschaltet ist. Siehe IV. „Handhabung.“

PEIP CODE	FEHLERZUSTAND	LÖSUNG	FEHLER MELDUNG
1	Batterien müssen aufgeladen werden	Batterien aufladen.	N/R
2	Niedrige Spannung; Batterien müssen umgehend aufgeladen werden	Batterien aufladen.	LEER
3	Überspannung	Stecken sie den Schlüssel in den Schlüsselschalter, stellen Sie die Elektromobilscheinwerfer an, um die Batterien zu entladen.	UBR ✓
4	Überstrom	Schalten Sie das Elektromobil für einige Minuten aus, dann starten Sie das Elektromobil wieder.	UBR R
5	Störung der Parkbremse	Ziehen Sie den Schlüssel aus dem Schlüsselschalter, drücken Sie den Freilaufhebel in die Fahrposition und starten Sie das Elektromobil wieder.	BREM S
6	Der Gashebel ist nicht in der Starstellung beim Anlassen.	Prüfen Sie, ob die Batterien vollständig geladen sind. Wenn die Batterien vollständig geladen sind, ziehen Sie den Fahrhebel in die Mittelstellung und schalten das Elektromobil dann aus und wieder ein.	HE BEL
7	Gaspedal-Hebel kaputt oder fehlerhaft	Wenden Sie sich für Unterstützung an Ihren autorisierten Fachhändler.	HE BEL
8	Motorenstörung	Wenden Sie sich für Unterstützung an Ihren autorisierten Fachhändler.	MOTOR
9	Andere Störung	Wenden Sie sich für Unterstützung an Ihren autorisierten Fachhändler.	SONST

Abb. 25. Modelle mit LCD-Bedienfeld

## VII. FEHLERSUCHE

### **Beim Gasgeben fährt das Elektromobil nicht, was kann das sein?**

- Ist der manuelle Freilaufhebel nach oben gezogen, sind die Bremsen Ihres Elektromobils sowie die Stromzufuhr zum Motor/Differentialgetriebe abgeschaltet.
- Manueller Freilaufhebel nach unten drücken, dann das Elektromobil ausschalten und wieder einschalten um den Normalbetrieb wiederherzustellen.

### **Die Hauptsicherung löst sich mehrmals aus, was kann ich tun?**

- Wenn der Hauptunterbrechungsschalter wiederholt ausgelöst wird, wenden Sie sich zur Reparatur an Ihren Händler.
- Die Batterien öfter aufladen. Siehe III. „Batterien und Aufladung.“
- Beim wiederholten Auslösen der Sicherung einen Batterieladungstest von Ihrem autorisierten Fachhändler auf beiden Batterien durchführen lassen.
- Sie haben auch die Möglichkeit, selbst einen Batterieladungstest durchzuführen. Batterieladungstestgeräte sind bei den meisten Autozubehörhändlern erhältlich. Befolgen Sie die mitgelieferten Anweisungen.
- Informationen zum Batterietyp Ihres Elektromobils finden Sie in Abschnitt III. „Batterien und Aufladung“, oder im „Produktdatenblatt“.

### **Beim Gasgeben fällt der Batterieanzeiger schlagartig ab und der Motor läuft unruhig, woran liegt das?**

- Batterien voll aufladen. Siehe III. „Batterien und Aufladung.“
- Lassen Sie von Ihrem autorisierten Fachhändler einen Ladungstest jeglicher Batterien durchführen.
- Bzw. wie in der vorigen Frage erwähnt, haben Sie selbst die Möglichkeit einen Batterieladungstest durchführen.

Sollten Sie mit Ihrem Elektromobil Probleme haben, die Sie allein nicht lösen können, wenden Sie sich zwecks Informationen, Wartung und Service an Ihren autorisierten Fachhändler.

## VIII. PFLEGE UND WARTUNG

Ihr Elektromobil benötigt ein Minimum an Pflege und Wartung. Sollten Sie sich nicht in der Lage fühlen, die unten aufgeführten Wartungsmaßnahmen selbst durchzuführen, können Sie die Inspektion und Wartung mit unserem Serviceteam einplanen. Die folgenden Teile benötigen eine regelmäßige Inspektion und /oder Pflege und Wartung.

### LUFTDRUCK – LUFTREIFEN

- Achten Sie immer auf den korrekten Luftdruck in allen Reifen (wenn Ihr Elektromobil mit Luftbereifung ausgestattet ist).



**WARNUNG! Es ist sehr wichtig, dass bei Luftbereifung der pneumatischen Reifen immer der angezeigte Luftdruck erhalten wird. Die Reifen nicht Über-/Unterfüllen. Zu niedriger Luftdruck kann zu einem Verlust der Kontrolle über das Elektromobil führen und Reifen mit Überdruck können platzen. Wird der angezeigte Druckbereich nicht eingehalten, kann es zu Schäden an den Reifen oder den Rädern kommen.**

- Überprüfen Sie regelmäßig die Reifen Ihres Elektromobils auf Zeichen der Abnutzung oder Schaden.

### AUßENBEREICH

Stoßdämpfer und Reifen profitieren von gelegentlichem Auftragen eines Gummi- oder Vinylpflegemittels.



**WARNUNG! Verwenden Sie keine Gummi- oder Vinylpflegemittel für die Sitzfläche oder Reifenprofile Ihres Elektromobils. Sie könnten gefährlich rutschig werden.**

### REINIGUNG UND DESINFIZIEREN

- Verwenden Sie ein feuchtes Tuch und ein mildes, nicht scheuerndes Reinigungsmittel, um die Plastikund Metallteile Ihres Elektromobils zu reinigen. Vermeiden Sie, Produkte zu benutzen, welche die Oberfläche Ihres Elektromobils zerkratzen können.
- Wenn notwendig, reinigen Sie Ihr Produkt mit einem zugelassenen Desinfektionsmittel. Vergewissern Sie sich vor der Anwendung, dass das Desinfektionsmittel sicher für den Gebrauch an Ihrem Produkt ist.



**WARNUNG! Befolgen Sie alle Sicherheitsanweisungen für den ordnungsgemäßen Gebrauch des Desinfektionsmittels und/oder Reinigungsmittels, bevor Sie es an Ihrem Produkt verwenden. Wird dies nicht befolgt, kann das zu Hautirritationen oder vorzeitiger Verschlechterung der Polsterung und/oder des Aussehens Ihres Elektromobils führen.**

### BATTERIEPOLE UND STECKER

- Batterieanschlüsse auf festen Sitz kontrollieren und auf Korrosion achten.
- Die Batteriepacks müssen flach in den Batterieschächten positioniert werden.
- Jeder Anschluss sollte vom Sitzpfosten wegschauen.

### KABEL

- Alle Kabelanschlüsse regelmäßig überprüfen.
- Überprüfen Sie regelmäßig alle Kabelverbindungen und Isolierungen, einschließlich des Ladekabels, auf Gebrauchsspuren und Beschädigungen.
- Lassen Sie alle beschädigten Anschlüsse, Verbindungen oder Isolierungen von Ihrem autorisierten Servicetechniker reparieren oder austauschen, bevor Sie Ihr Elektromobil in Betrieb nehmen.



**VERBOTEN! Obwohl das Elektromobil die geforderten Testanforderungen gegen Wassereindringen bestanden hat, sollten Sie elektrische Komponenten von Feuchtigkeitsquellen fernhalten. Dies schließt ein, dass sie nicht direkt Wasser oder Körperflüssigkeiten und Inkontinenz ausgesetzt werden sollten. Elektrische Komponenten häufig auf Anzeichen von Korrosion überprüfen und bei Bedarf auswechseln.**

## VIII. PFLEGE UND WARTUNG



**WARNUNG!** Ziehen Sie niemals direkt an einem Stromkabel, um es vom Elektromobil zu trennen. Halten Sie zum Trennen des Kabels stattdessen den Stecker. Dadurch wird eine Beschädigung der Drähte vermieden.

### RÄDER AUSWECHSELN – LUFTREIFEN

Wenn Ihr Elektromobil mit Luftbereifung ausgestattet ist und Sie einen platten Reifen haben, können Sie den Schlauch ersetzen. Ersatzschläuche und Radbaugruppen sind über Ihren Vertragslieferanten schnell zu erhalten.

**WARNUNG!** Die Räder an Ihrem Elektromobil sollten nur von einem Vertragslieferanten oder einem qualifizierten Techniker gewartet oder ausgewechselt werden.



**WARNUNG!** Vergewissern Sie sich vor Durchführung dieses Verfahrens, dass die Steuerung ausgeschaltet ist und das Elektromobil sich nicht im Freilaufmodus befindet.

**WARNUNG!** Lassen Sie die Luft beim Wechseln von Luftreifen VOLLSTÄNDIG ab, bevor Sie den Reifen von der Achse nehmen, da er ansonsten platzen könnte.

Folgen Sie diesen einfachen Schritten für eine schnelle und sichere Reparatur von Luftreifen:

1. Nehmen Sie den Schlüssel aus dem Schlüsselschalter und stellen sicher, dass sich das Elektromobil nicht im Freilaufmodus befindet.
2. Erhöhen Sie die Seite des Elektromobils von welcher Sie den Reifen entfernen. Legen Sie Holzklötze unter den Rahmen um das Elektromobil zu erhöhen.
3. Wenn Sie den Schlauch auswechseln, lassen Sie die Luft vollständig aus dem Reifen ab, bevor Sie ihn von der Achse nehmen.
4. Entfernen Sie die Radmuttern Antriebsrades von der Radnabe. **Siehe Abb. 26.**
5. Ziehen Sie das Rad von der Achse.
6. Entfernen Sie die Schrauben und trennen die äußere und innere Felge voneinander. **Siehe Abb. 27.**

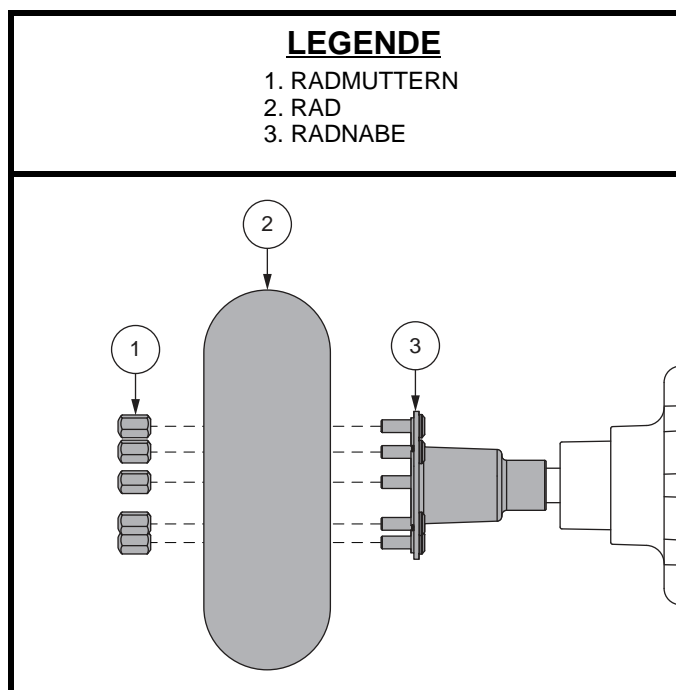


Abb. 26. Reifenradenthebung

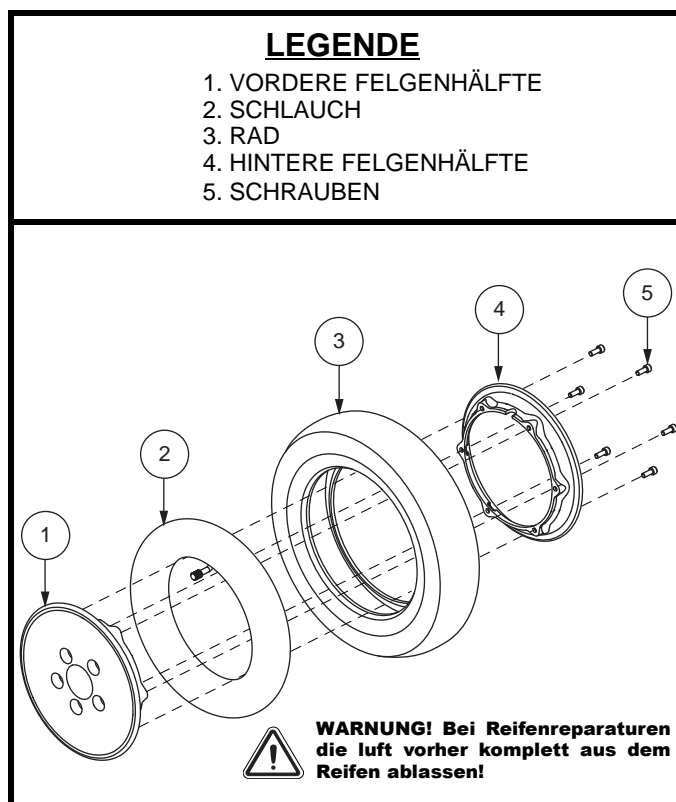


Abb. 27. Zerlegen und Zusammenbauen von Luftreifen



## VIII. PFLEGE UND WARTUNG

7. Aus den Luftreifen den alten Schlauch entfernen und durch einen neuen Schlauch ersetzen.
8. Banden Sie wieder die beiden Felgenhälften zusammen.
9. Schieben Sie das neue Rad wieder über die Radachse.
10. Die Radmuttern wieder installieren und fütziehen



**WARNUNG! Stellen Sie sicher, die radmuttern sowohl fest installiert und gesichert sind.**

11. Pumpen Sie Luftreifen mit dem Druck auf, der auf dem jeweiligen Reifen in psi/bar/kPa angegeben ist.
12. Entfernen Sie den Holzblock unter dem Elektromobil.

### ABS KUNSTSTOFFABDECKUNGEN

- Die vordere Lenkerabdeckung, Vorderteilabdeckung und Heckteilabdeckung sind aus beständigem Kunststoff und mit hochentwickelter Urethanfarbe beschichtet.
- Um den Glanz der Abdeckungen zu erhalten, tragen Sie eine dünne Schicht Autopolitur auf.

### ACHSENLAGER, ANTRIEBSBAUGRUPPE

Schmieren ist nicht notwendig, da diese Teile ab Werk geschmiert und abgedichtet sind.

### KOHLEBÜRSTEN

Die Kohlebürsten befinden sich in der Antriebsbaugruppe. Lassen Sie die Kohlebürsten regelmäßig von Ihren Fachhändler auf Abnutzung überprüfen.

### KONSOLE UND HECKELEKTRONIK

- Diese Teile dürfen keiner Feuchtigkeit ausgesetzt werden.
- Wird ein Teil dennoch der Feuchtigkeit ausgesetzt, darf dieses erst nach vollständigem Trocknen wieder in Betrieb genommen werden.

### BREMSKISSEN

Die Bremskissen Ihres Elektromobils sollten regelmäßig auf Verschleiss untersucht werden. Wenn das Kissen 2 mm oder 1/16 inch Dicke zeigt, sollten sie ersetzt werden. Alle Bremskissen sollten zur selben Zeit ersetzt werden. Wenden Sie sich an Ihren autorisierten Fachhändler um weitere Informationen über die Erneuerung der Bremskissen zu erhalten.

### SICHERUNGSWECHSEL

**Ist eine Sicherung durchgebrannt:**

1. Sicherung herausziehen.
2. Sicherung auf Durchbrennen überprüfen. **Siehe Abb. 28.**
3. Eine neue Sicherung mit dem richtigen Nennwert einsetzen.



**WARNUNG! Der Wert der ersetzten Sicherung muss genau dem Wert der neuen Sicherung entsprechen. Bei Missachtung der richtigen Werte kann es das elektrische System beschädigen.**

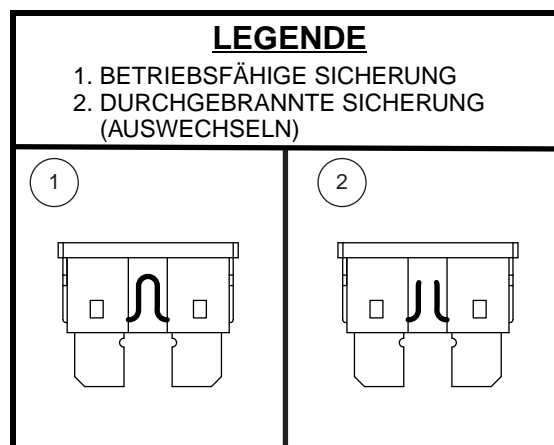


Abb. 28. Wechseln der Sicherung

## VIII. PFLEGE UND WARTUNG

### AUSTAUSCH NYLON SICHERUNGSEINSÄTZE

Jede Nylon Sicherungsmutter, die während der regelmäßig durchgeführten Wartung, Zusammenbau oder Demontage entnommen wird, muss danach durch eine neue ersetzt werden. Nylon Sicherungsmuttern sollten nicht wieder verwendet werden, da der Nyloneinsatz beschädigt sein könnte, was daraufhin zu einer weniger sicheren Verbindung führen kann. Ersatzmutter aus Nylon sind in den örtlichen Bauhäusern zu kaufen oder durch Ihren autorisierten Fachhändler zu beziehen.

### LAGERUNG IHRES ELEKTROMOBILS

Wird Ihr Elektromobil für einen längeren Zeitraum nicht benutzt, sollten Sie:

- Vor dem Einlagern die Batterien voll aufladen.
- Entfernen Sie die Batterie aus Ihrem Elektromobil.
- Ihr Elektromobil in einer warmen und trockenen Umgebung einlagern.
- Ihr Elektromobil keinen extremen Temperaturen aussetzen.
- Empfohlene Lagerungstemperatur: -40°C/-40°F bis 65°C/149°F.



**WARNUNG! Vermeiden Sie Umgebungsbedingungen unter Null(0) Grad und laden Sie die Batterien nie im gefrorenen Zustand. Das kann die Batterie beschädigen.**

Regelmäßig und tief entladene, selten aufgeladene, in extremen Temperaturen gelagerte oder mit nicht vollständiger Ladung gelagerte Batterien verursachen unzuverlässige Leistung und eine beschränkte Lebensdauer. Wir empfehlen, dass Sie die Batterien während längerer Lagerungszeiten regelmäßig aufladen, um eine ordnungsgemäße Leistung sicherzustellen.

Sie sollten eventuell mehrere Bretter unter dem Rahmen Ihres Elektromobil platzieren, um ihn während längerer Lagerungszeiten vom Boden anzuheben. Dies nimmt das Gewicht von den Reifen und verringert die Wahrscheinlichkeit, dass sich dort, wo die Reifen den Boden berühren, abgeflachte Stellen entwickeln.

### ENTSORGEN IHRES ELEKTROMOBILS

Ihr Elektromobil muss gemäß den geltenden örtlichen und nationalen gesetzlichen Bestimmungen entsorgt werden. Wenden Sie sich an Ihre örtliche Abfallentsorgung oder Ihren Vertragslieferanten wegen Informationen über die ordnungsgemäße Entsorgung der Verpackung des Elektromobils, der Metallrahmenkomponenten, Plastikkomponenten, Elektronik, Batterien, Neopren, Silikon und Polyurethan materialien.



MONTAGGIO



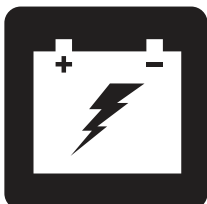
UTILIZZO



COMODITÀ



MANUTENZIONE



BATTERIE E RICARICA




# MANUALE UNIVERSALE SCOOTER

MANUALE PER L'UTENTE

---

# TABELLA DELLE CARATTERISTICHE DI SCOOTER

Modello	Tipo di Console		Tipo di Telaio (Montaggio/Smontaggio)		Ruotine Antiribaltamento	Opzioni*			Interruttore Principale (Tipo)		
	A	B	1 sezione	2 sezioni	Incluse	Interruttore Hi-Low	Freno di stazionamento	Sospensione del sedile	Pulsante di reset	Leva di reset	Reset Automatico
 613	•	•		•	•	•	•	•	•		
614	•	•	•		•	•				•	•
713	•	•		•	•	•	•	•	•		
714	•	•	•			•	•			•	•

**\*NOTA:** Le opzioni disponibili variano a seconda del paese. Contattare il proprio fornitore per conoscere quali opzioni siano disponibili per il proprio scooter.

**NOTA:** Prendere nota del numero di modello del proprio scooter, riportato nella scheda tecnica del prodotto nel pacchetto per l'utente. Nel presente manuale le opzioni disponibili per ciascuno scooter sono identificate mediante il numero di modello (nella colonna di sinistra della tabella delle caratteristiche di scooter). La conoscenza del numero di modello dell'apparecchio aiuta a definire le caratteristiche esclusive dello specifico scooter.

## PROGETTO DI IMPIEGO

L'utilizzo dello scooter elettrico è da intendersi a beneficio di coloro affetti da deficit della mobilità purché in grado di utilizzare cognitivamente l'ausilio.

## UTILIZZO SU PRESCRIZIONE (VALIDO SOLO PER STATI UNITI)



**ATTENZIONE!** La legge Federale limita la vendita del dispositivo su prescrizione di un medico o altro personale certificato a ciò autorizzato dalla legge dello Stato (solo Stati Uniti d'America) o della regione in cui detto personale è abilitato ad esercitare o a prescrivere l'utilizzo del dispositivo.

**NOTA:** Il presente manuale per l'utente è redatto sulla base delle più recenti specifiche tecniche e delle informazioni del prodotto, disponibili al momento della pubblicazione. Il produttore si riserva il diritto di apportare modifiche qualora fossero necessarie. Qualsiasi modifica apportata ai nostri prodotti può generare lievi differenze tra le illustrazioni e le spiegazioni contenute nel presente manuale e il prodotto acquistato. La versione più recente del presente manuale è disponibile sul nostro sito web.

**NOTA:** Questo prodotto è conforme alle normative e prescrizioni WEEE, RoHS, e REACH.

**NOTA:** Questo prodotto soddisfa la classificazione IPX4 (IEC 60529).

**NOTA:** Lo scooter e le sue componenti sono stati fabbricati in lattice di gomma NON naturale. Per qualsiasi accessorio del mercato post-vendita si prega di consultare il produttore.



# INDICE

<b>DIRETTIVE PER LA SICUREZZA</b> .....	165
<b>I. SICUREZZA</b> .....	166
<b>II. IL TUO SCOOTER</b> .....	169
<b>III. BATTERIE E RICARICA</b> .....	182
<b>IV. UTILIZZO</b> .....	189
<b>V. REGOLAZIONI DI COMODITÀ</b> .....	191
<b>VI. SMONTAGGIO E MONTAGGIO</b> .....	195
<b>VII. RISOLUZIONE DEI PROBLEMI</b> .....	197
<b>VIII. CURA E MANUTENZIONE</b> .....	199

## DIRETTIVE PER LA SICUREZZA



**AVVERTENZA!** L'impostazione iniziale di questo scooter deve essere eseguita da un fornitore autorizzato o da un tecnico qualificato, che dovrà osservare tutte le procedure descritte nel presente manuale.

I simboli riportati di seguito vengono utilizzati nel presente manuale e sullo scooter per identificare avvertenze e informazioni importanti. È molto importante leggerli e comprenderli completamente.



**AVVERTENZA!** Indica una condizione/situazione potenzialmente pericolosa. La mancata osservanza delle procedure previste può provocare lesioni alle persone, danni ai componenti o malfunzionamento. Sul prodotto, questa icona è rappresentata da un simbolo nero in un triangolo giallo con bordo nero.



**OBBLIGATORIO!** Queste azioni devono essere eseguite come descritto. La mancata esecuzione delle procedure obbligatorie può provocare lesioni alle persone e/o danni alle apparecchiature. Sul prodotto, questa icona è rappresentata da un simbolo bianco in un punto blu con bordo bianco.



**PROIBITO!** Queste azioni sono proibite. Non devono mai essere eseguite e per nessun motivo. L'esecuzione di un'azione proibita può causare lesioni personali e/o danni alle apparecchiature. Sul prodotto, questa icona è rappresentata da un simbolo nero con un cerchio rosso e una riga rossa.

# I. SICUREZZA

## SIMBOLI DI SICUREZZA DEL PRODOTTO

I simboli in basso sono utilizzati sul prodotto per identificare le avvertenze, le azioni obbligatorie e le azioni proibite. È molto importante leggere e comprendere a fondo i simboli riportati.

*NOTA: La guida per la sicurezza del consumatore allegata allo scooter riporta e illustra diverse avvertenze. Prendere nota di tutte le avvertenze e informazioni di sicurezza riportate nella guida per la sicurezza del consumatore e consultare spesso questa risorsa.*



**Leggere e seguire le informazioni contenute nel manuale per l'utente.**



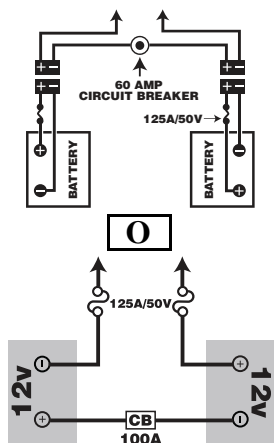
**Fabbricato in.**



**Indica i punti di fissaggio dello scooter.**



**Etichetta informativa.**



**Configurazione delle batterie:**

**+ = Punto terminale positivo (rosso)**

**- = Punto terminale negativo (nero)**

**Collegare il filo rosso al terminale positivo (+).**

**Collegare il filo nero al terminale negativo (-).**

# I. SICUREZZA

## CENNI GENERALI



**OBBLIGATORIO! Prima di utilizzare lo scooter per la prima volta, assicurarsi di aver letto e compreso completamente il presente manuale e la guida per la sicurezza del consumatore.**

Lo scooter è un dispositivo allo stato dell'arte, che migliora la qualità di vita, progettato per migliorare la mobilità. Esiste un'ampia varietà di prodotti per soddisfare al meglio le necessità individuali dell'utente dello scooter. È opportuno comprendere che la selezione finale e la decisione di acquisto in merito alla tipologia di scooter da utilizzare costituisce responsabilità dell'utente dello scooter, che è in grado di compiere tale decisione, e del suo assistente sanitario (medico curante, fisioterapista ecc.).

Il contenuto del presente manuale parte dal presupposto che un esperto di dispositivi per la mobilità abbia adattato lo scooter alla fisicità dell'utente ed abbia supportato l'assistente sanitario prescrivente e/o il fornitore autorizzato nel processo di istruzione all'uso del prodotto in oggetto.

In alcune situazioni, tra cui particolari stati di salute, è necessario che l'utente faccia pratica nell'uso dello scooter alla presenza di un assistente o professionista sanitario. Per assistente qualificato si intende, una persona, che sia preparata a coadiuvare l'utente dello scooter nello svolgimento di varie attività quotidiane.

All'inizio dell'utilizzo dello scooter durante le attività quotidiane, si incontreranno probabilmente situazioni che richiedono pratica. Procedere gradualmente per raggiungere il completo controllo di manovra attraverso porte, ascensori, rampe e terreno mediamente sconnesso.

Altre informazioni generali sono disponibili nei fogli supplementari e nei libretti inclusi nel pacchetto per l'utente. Leggere completamente e rivedere le informazioni e tenerle a portata di mano per futuro riferimento.

In basso sono riportate alcune precauzioni, consigli ed altre considerazioni sulla sicurezza per aiutare l'utente ad imparare il funzionamento sicuro dello scooter.

### CONTROLLO DI SICUREZZA PRE-UTILIZZO

È necessario acquistare familiarità con lo scooter e con le sue capacità. Si raccomanda di eseguire un controllo di sicurezza prima di ciascun utilizzo per verificare che lo scooter funzioni con sicurezza e fluidità.

#### Prima di utilizzare lo scooter eseguire le seguenti verifiche:

- Controllare le condizioni dei pneumatici. Assicurarsi che non siano danneggiati o eccessivamente usurati.
- Controllare tutti i collegamenti elettrici. Verificare che siano saldi e privi di corrosione.
- Controllare tutte le connessioni del telaio. Verificare che siano fissate correttamente.
- Controllare i freni per garantirne il funzionamento adeguato.
- Controllare l'indicazione sul contatore delle batterie per verificare che siano completamente cariche.
- Assicurarsi che la leva di sblocco ruote manuale sia in modalità di guida prima di sedersi sullo scooter.

Se si riscontra un problema, contattare il fornitore autorizzato per assistenza. Consultare le informazioni di contatto fornite unitamente al prodotto.

# I. SICUREZZA

## INFORMAZIONI SUI FRENI

Lo scooter è equipaggiato con tre potenti sistemi di frenata:

- **Rigenerativo:** Utilizza l'elettricità per ridurre rapidamente la velocità del veicolo quando la leva dell'acceleratore ritorna in posizione centrale/di arresto.
- **Freno di stazionamento a disco:** Si attiva meccanicamente dopo che il freno rigenerativo ha rallentato il veicolo quasi completamente, oppure quando per qualunque motivo il sistema non riceve alimentazione.
- **(Opzionale) Freno manuale:** Questa leva fornisce alimentazione all'arresto di emergenza. Vedere Paragrafo II. "Il Tuo Scooter".

## LEVA DEL FRENO A MANO (OPZIONALE — MODELLI 613, 713 E 714)

La leva del freno a mano contiene liquido idraulico. Premendo la leva, il liquido viene spinto attraverso la linea dei freni per attivare i cuscinetti frenanti contro i dischi. La leva del freno è un'unità completamente sigillata, cioè impedisce la perdita di liquido idraulico; tuttavia esistono alcune misure di sicurezza da osservare in caso di fessurazione o danni alla leva del freno.

- Non toccare il materiale versato senza indossare adeguata protezione, come occhiali di sicurezza e guanti.
- Per perdite di piccola entità, coprire il materiale con terra asciutta, sabbia o altro materiale assorbente non combustibile. Una volta assorbito, chiudere il materiale in un sacco di plastica e contattare l'ente locale addetto allo smaltimento dei rifiuti per gli interventi adeguati. Non disperdere il materiale in canali o fogne.
- In caso di contatto con gli occhi, controllare e rimuovere le lenti a contatto. Sciacquare gli occhi con acqua fredda sollevando e abbassando le palpebre. Rivolgersi ad un medico in caso di eccessiva lacrimazione, arrossamento o dolore persistente.
- In caso di esposizione cutanea, rimuovere l'abbigliamento contaminato. Lavare la cute esposta con acqua e sapone. Rivolgersi ad un medico in caso di danni alla cute o di irritazione persistente. Pulire a fondo l'abbigliamento contaminato prima di riutilizzarlo. Smaltire i materiali contaminati.
- In caso di ingestione, non indurre vomito né somministrare bevande se non specificatamente indicato da un medico. Non somministrare nulla per bocca ad una persona non completamente cosciente. Rivolgersi immediatamente ad un medico.
- In caso di inalazione, spostare il soggetto colpito all'aria fresca. Se il soggetto colpito non respira, iniziare immediatamente la procedura di rianimazione. In caso di respirazione difficoltosa, deve essere effettuata, da parte di personale qualificato, la somministrazione di ossigeno umidificato al 100%. Rivolgersi immediatamente ad un medico e mantenere il soggetto colpito al caldo e a riposo.
- In caso di incendio, usare sostanze chimiche secche, schiuma, anidride carbonica o acqua nebulizzata per l'estinzione.

**AVVERTENZA! Non modificare la leva del freno a mano né tentare di sostituire il liquido idraulico. In caso di danni, osservare le informazioni di sicurezza contenute nella presente sezione e contattare il rivenditore autorizzato per la sostituzione del freno a mano. Il freno a mano idraulico deve essere riparato o sostituito esclusivamente dal rivenditore autorizzato.**



**AVVERTENZA! Il freno a mano contiene liquido idraulico che può provocare lieve irritazione a cute, occhi e naso/bronchi. Non tentare di riparare o regolare il freno a mano senza adeguata protezione, come occhiali di sicurezza e guanti, e lavare le mani dopo averlo maneggiato.**



## II. IL TUO SCOOTER

### CONSOLE MANUBRIO

La console manubrio ospita tutti i comandi necessari per la guida dello scooter, compresa la regolazione della velocità, la chiave accensione, l'indicatore livello batterie, i pulsanti clacson, l'indicatore delle frecce, la leva freno manuale, la leva regolazione manubrio, e la leva di controllo dell'acceleratore. Si noti che alcune delle caratteristiche elencate in questa sezione sono voci opzionali e potrebbero non essere presenti sul vostro scooter. **Vedere figura 1.**

**NOTA:** Se lo scooter è dotato di Pannello di Controllo LCD andare direttamente alla sezione di questa pagina intitolata **CONSOLE MANUBRIO: PANNELLO DI CONTROLLO LCD.**



**PROIBITO!** Non esporre la console manubrio all'umidità. Nel caso in cui la console manubrio venga esposta all'umidità, non tentare di utilizzare lo scooter fino alla completa asciugatura del manubrio.

### CODICE DI IDENTIFICAZIONE

- |  |                                     |
|--|-------------------------------------|
| 1. CLACSON                                   | 8. SELETTORE DELLA VELOCITÀ         |
| 2. *PULSANTE INDICATORE DI SVOLTA A SINISTRA | 9. INDICATORE LIVELLO BATTERIE      |
| 3. *INTERRUTTORE LUCI DI EMERGENZA           | 10. CHIAVE ACCENSIONE               |
| 4. INTERRUTTORE LUCI                         | 11. SPECCHIETTO E SPINOTTO DI GOMMA |
| 5. *PULSANTE INDICATORE DI SVOLTA A DESTRA   | 12. LEVA REGOLAZIONE MANUBRIO       |
| 6. *PULSANTE HIGH-LOW (ALTO-BASSO)           | 13. *LEVA FRENO MANUALE             |
| 7. LEVA CONTROLLO ACCELERAZIONE              | 14. BLOCCO FRENO                    |

\*COMPONENTI OPZIONALI DISPONIBILI SU ALCUNI MODELLI

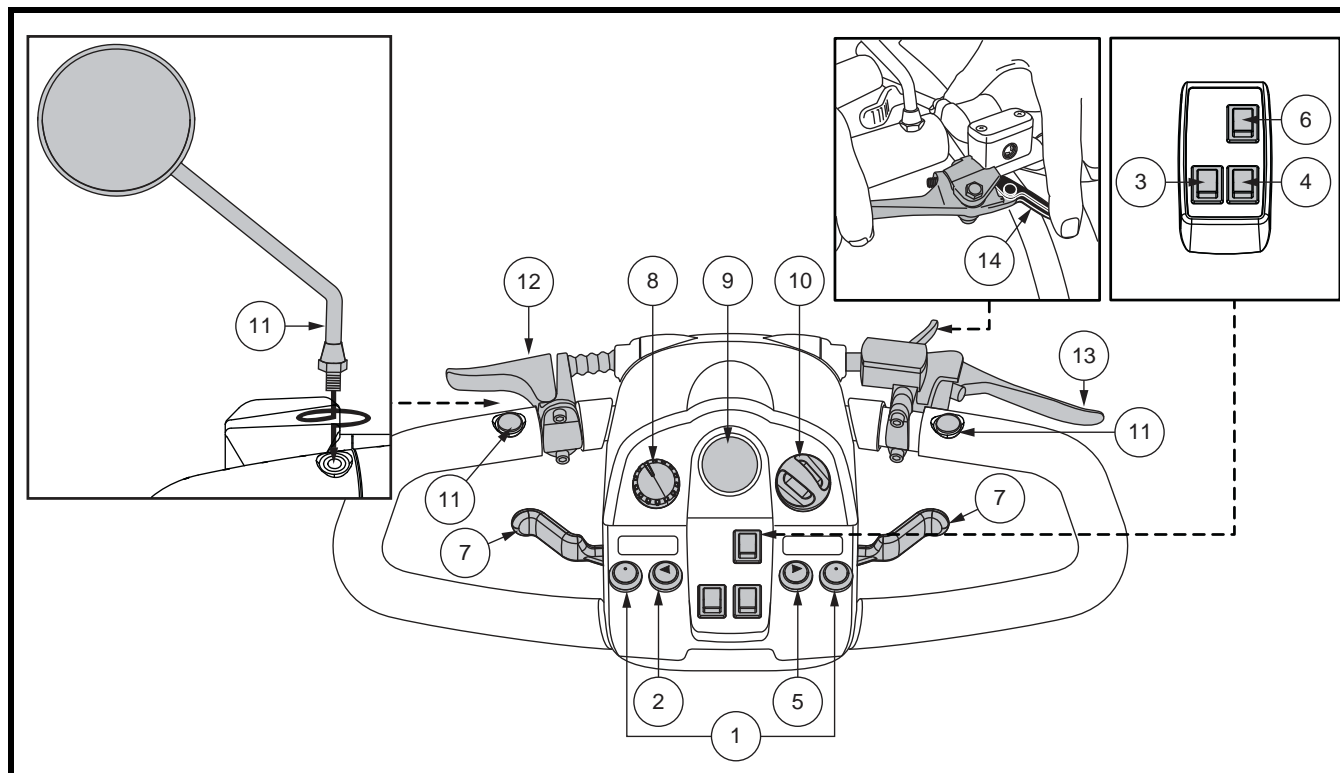


Figura 1. Componenti console manubrio A

## II. IL TUO SCOOTER

### Pulsanti del clacson

Questi pulsanti attivano un avvisatore acustico. La chiave deve essere sulla posizione “on” affinché il clacson sia attivo. Non esitare a ricorrere all’uso dell’avvisatore acustico per prevenire incidenti o infortuni.

### Pulsanti di segnalazione di svolta

Usare questi pulsanti per accendere le luci di segnalazione (giallo ocra) di svolta a sinistra e a destra.

- Spingere il pulsante sinistro per attivare la luce di segnalazione di svolta a sinistra. Il LED di segnalazione di svolta ubicato nell’indicatore di stato della batteria lampeggia.
- Spingere il pulsante destro per attivare la luce di segnalazione di svolta a destra. Il LED di segnalazione di svolta ubicato nell’indicatore di stato della batteria lampeggia.
- Gli indicatori di svolta sono a tempo e si spengono automaticamente.

### Interruttore delle luci

Questo interruttore controlla le luci dello scooter.

- Posizionare l’interruttore in avanti per accendere il fanale anteriore.
- Posizionare l’interruttore all’indietro per spegnere il fanale anteriore.



**AVVERTENZA! Gli utenti degli scooter devono usare le luci quando la visibilità è ridotta—sia di giorno che di notte.**

### Interruttore luci di emergenza

Questo interruttore attiva il lampeggiatore a quattro vie dello scooter.

- Premere l’interruttore per azionare il lampeggiatore.
- Premerlo nuovamente per disattivare il lampeggiatore.

### Interruttore Hi-Low

Questo interruttore commuta la velocità dello scooter tra Hi (alta) e Low (Bassa). Spostare l’interruttore in avanti (Hi) per ottenere la massima velocità preprogrammata per lo scooter. Spostare l’interruttore all’indietro (Low) per raggiungere la metà della velocità massima preprogrammata dello scooter.

### Leve di controllo dell’acceleratore

Queste leve consentono il controllo dell’accelerazione in avanti e a marcia indietro dello scooter, fino al massimo della velocità preimpostata dall’utente con l’apposito selettore.

#### Per spostarsi in avanti usare una delle seguenti procedure:

- Usare il pollice sinistro per spingere il lato sinistro della leva dell’acceleratore.
- Usare le dita della mano destra per tirare all’indietro il lato destro della leva dell’acceleratore.

#### Per spostarsi all’indietro usare una delle seguenti procedure:

- Usare il pollice destro per spingere il lato destro della leva dell’acceleratore.
- Usare le dita della mano sinistra per tirare all’indietro il lato sinistro della leva dell’acceleratore.

Rilasciare la leva dell’acceleratore e consentire allo scooter di fermarsi completamente prima di attivare l’altro lato della leva. Quando si rilascia completamente l’acceleratore, la leva torna in posizione centrale di arresto e innesta i freni dello scooter.

### Selettore della velocità

Questo selettore consente la preselezione e la limitazione della velocità massima dello scooter.

- L’immagine della **tartaruga** corrisponde all’impostazione di velocità minima.
- L’immagine della **lepre** corrisponde all’impostazione di velocità massima.

## II. IL TUO SCOOTER

### Indicatore di stato delle batterie

Quando la chiave è inserita a fondo nell'apposito interruttore, questo misuratore indica la carica approssimativa delle batterie. Per maggiori informazioni sul misuratore dello stato delle batterie, vedere il paragrafo III. "Batterie e ricarica".

### LED di stato

Il LED di stato segnala l'eventuale presenza di problemi elettrici dello scooter. Il LED rimane costantemente acceso quando lo scooter è attivo. Se lo scooter presenta un problema elettrico, il LED di stato lampeggia un codice. Vedere il paragrafo VII. "Risoluzione dei problemi" di base per i codici lampeggianti.

### Interruttore a chiave

- Inserire la chiave nell'apposito interruttore e quindi ruotare in senso orario per alimentare (accendere) lo scooter.
- Ruotare la chiave in senso antiorario per spegnere lo scooter.



**AVVERTENZA!** Se la chiave viene portata in posizione "off" quando lo scooter è in movimento, i freni elettronici si attivano e lo scooter si ferma improvvisamente!

### Posizionamento e regolazione specchietto

Per informazioni su posizionamento e regolazione dello specchietto, consultare il capitolo V. "Regolazioni di comodità."

### Leva regolazione inclinazione manubrio

Per informazioni su posizionamento e regolazione dell'inclinazione del manubrio, consultare il capitolo V. "Regolazioni di comodità."

### Leva del freno a mano

Questa leva attiva l'arresto di emergenza. In movimento, rilasciare la leva dell'acceleratore e tirare delicatamente la leva del freno a mano per fermarsi.

Il freno a mano si può bloccare e utilizzare come freno di parcheggio tirando completamente la leva e attivando il blocco del freno. **Vedere figura 1.** Per rilasciare il blocco del freno, tirare completamente il freno a mano.



**AVVERTENZA!** Il freno a mano va utilizzato esclusivamente come freno di emergenza e/o freno di parcheggio.

### Porta del caricatore esterno

Il cavo di alimentazione del caricatore esterno si collega a questa porta per caricare le batterie. La porta del caricatore esterno si trova sul manubrio. **Vedere figura 2.**

### Fusibili del Sistema Elettrico

Lo scooter dispone di una serie di fusibili del sistema elettrico, che contribuiscono alla protezione del sistema di carica esterno, dell'interruttore a chiave e del sistema di illuminazione da un sovraccarico di corrente elettrica. I fusibili utilizzati nello scooter sono dello stesso tipo di quelli usati nelle automobili. **Vedere figura 2.**

### CODICE DI IDENTIFICAZIONE

1. ALLOGGIAMENTO CAVO ALIMENTAZIONE CARICATORE
2. FUSIBILE CARICABATTERIE ESTERNO
3. FUSIBILE INTERRUOTTORE A CHIAVE
4. FUSIBILE FANALE INFERIORE
5. FUSIBILE LUCI DI POSIZIONE POSTERIORI
6. FUSIBILE INDICATORE DI SVOLTA A SINISTRA
7. FUSIBILE INDICATORE DI SVOLTA A DESTRA

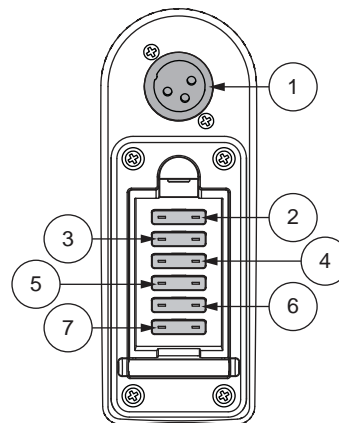


Figura 2. Alloggiamento cavo alimentazione caricatore/Fusibili console manubrio

## II. IL TUO SCOOTER

**NOTA:** Proteggere tutte le parti elettriche da sporcizia, umidità e corpi estranei.

### CONSOLE MANUBRIO: PANNELLO DI CONTROLLO LCD

La console e il lato inferiore del manubrio ospitano tutti i controlli necessari alla guida dello scooter incluso il pannello di controllo LCD, le leve di controllo, l'interruttore della chiave, e il potenziometro di velocità. **Vedere figura 3.**



**PROIBITO!** Non esporre la console manubrio all'umidità. Nel caso in cui la console manubrio venga esposta all'umidità, non tentare di utilizzare lo scooter fino alla completa asciugatura del manubrio.

#### Pulsante del clacson

Questo pulsante attiva un avvisatore acustico. La chiave deve essere sulla posizione "on" affinché il clacson sia attivo. Non esitare a ricorrere all'uso dell'avvisatore acustico per prevenire incidenti o infortuni.

#### Pulsanti di segnalazione di svolta

- Premere una volta l'indicatore di direzione corrispondente per attivarlo. L'indicatore di direzione lampeggerà sullo schermo LCD.
- Premere il medesimo pulsante per disattivarlo.

**NOTA:** Gli indicatori di svolta sono temporizzati per spegnersi dopo 15 secondi. Un segnale acustico suona per tutto il tempo in cui l'indicatore di direzione è acceso. Per il controllo del volume consultare la figura 5.

#### Pulsante delle luci

- Premere il pulsante delle luci per attivare il sistema di illuminazione. Il simbolo delle luci compare sullo schermo LCD.
- Premere nuovamente il pulsante delle luci per spegnere il sistema di illuminazione.



**AVVERTENZA!** Gli utenti degli scooter devono usare le luci quando la visibilità è ridotta—sia di giorno che di notte.

#### Schermo LCD e impostazioni del pannello di controllo

Il pannello di controllo LCD offre comode informazioni intuitive tramite lo schermo LCD. **Vedere figura 3.** Lo schermo LCD si utilizza anche per l'attivazione delle diverse impostazioni del pannello di controllo.

#### CODICE DI IDENTIFICAZIONE

1. CLACSON
2. INDICATORI DI SVOLTA
3. PULSANTE LUCI
4. SCHERMO LCD
5. PULSANTE SET (IMPOSTA)
6. PULSANTE LUCI DI EMERGENZA
7. PULSANTE MODE (MODALITÀ)
8. PULSANTE HIGH-LOW (ALTO-BASSO)
9. REGOLAZIONE DELLA VELOCITÀ (AUMENTA)
10. REGOLAZIONE DELLA VELOCITÀ (RIDUCI)
11. CONTROLLO ACCELERAZIONE

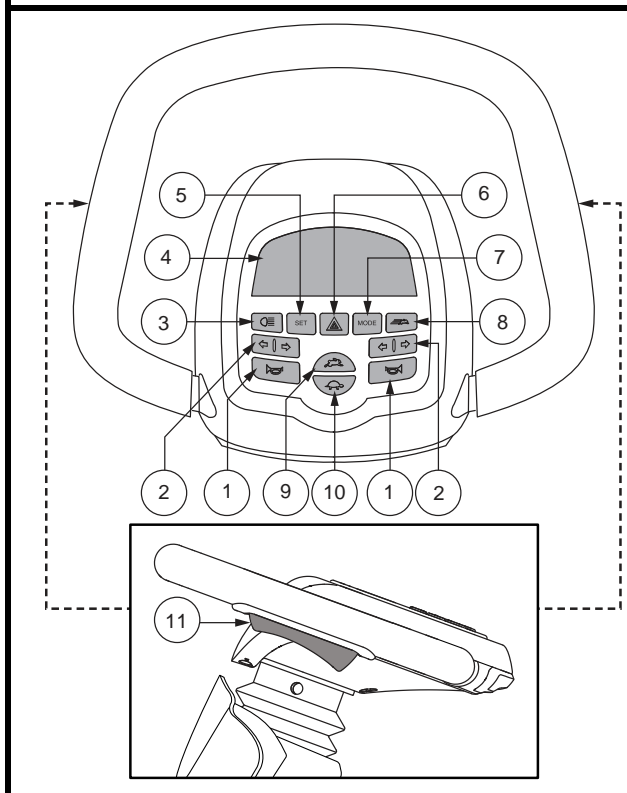


Figura 3. Pannello di Controllo LCD - B

## II. IL TUO SCOOTER

### Pulsante luci di emergenza

Questo interruttore attiva il lampeggiatore a quattro vie dello scooter.

- Premere il pulsante una volta per azionare il lampeggiatore.
- Premere nuovamente il pulsante per disattivare il lampeggiatore.

*NOTA: I lampeggiatori restano attivi e viene emesso un segnale acustico per tutto il tempo in cui le luci di emergenza rimangono accese. Per il controllo del volume consultare la figura 5.*

### Pulsante Mode (MODALITÀ)

Usare il pulsante Mode per selezionare tra odometro, contachilometri parziale, temperatura e orologio.

### Pulsante High-Low (Alto-Basso)

Questo pulsante commuta la velocità dello scooter tra HIGH (Alta) e LOW (Bassa).

- Premere una volta il pulsante **High-Low** per impostare la velocità sulla regolazione alta. L'indicatore High-Low viene visualizzato sullo schermo LCD. **Vedere figura 4.** L'uso di questa impostazione insieme ai pulsanti di regolazione della velocità consente allo scooter di raggiungere la velocità massima pre-programmata.
- Premere nuovamente il pulsante **High-Low** per impostare la velocità sulla regolazione bassa. L'indicatore High-Low non viene visualizzato sullo schermo LCD. L'uso di questa impostazione insieme ai pulsanti di regolazione della velocità consente allo scooter di raggiungere una velocità fino alla metà della massima pre-programmata.

### Pulsanti di regolazione della velocità

Questi pulsanti di regolazione consentono di pre-selezionare e limitare la velocità dello scooter. Questa è indicata nell'apposito indicatore di velocità massima sullo schermo LCD. **Vedere figura 4.**

- Premere l'immagine della **tartaruga** per ridurre la velocità dello scooter.
- Premere l'immagine della **lepre** per aumentare la velocità dello scooter.

*NOTA: Maggiore è il numero delle barre illuminate all'interno dell'indicatore di velocità massima, maggiore sarà la velocità massima pre-selezionata. Vedere figura 4.*

### Leve di controllo dell'acceleratore

Queste leve consentono di controllare la velocità dello scooter sia a marcia in avanti che in retromarcia fino alla velocità massima preimpostata utilizzando gli appositi pulsanti di regolazione. Una leva di controllo è situata su ciascuno dei lati inferiori del manubrio, sinistro e destro. **Vedere figura 3.**

#### Per spostarsi in avanti:

- Schiacciare la parte posteriore della leva di controllo dell'acceleratore.

#### Per spostarsi all'indietro:

- Schiacciare la parte anteriore della leva di controllo dell'acceleratore.

Rilasciare la leva dell'acceleratore e consentire allo scooter di fermarsi completamente prima di attivare l'altro lato della leva. Quando si rilascia completamente l'acceleratore, la leva torna in posizione centrale di arresto e innesta i freni dello scooter.

## II. IL TUO SCOOTER

### SCHERMO LCD E IMPOSTAZIONI DEL PANNELLO DI CONTROLLO

Il pannello di controllo LCD offre comode informazioni intuitive tramite lo schermo LCD. **Vedere figura 4.** Lo schermo LCD si utilizza anche per l'attivazione delle diverse impostazioni del pannello di controllo. **Vedere grafico 1.**

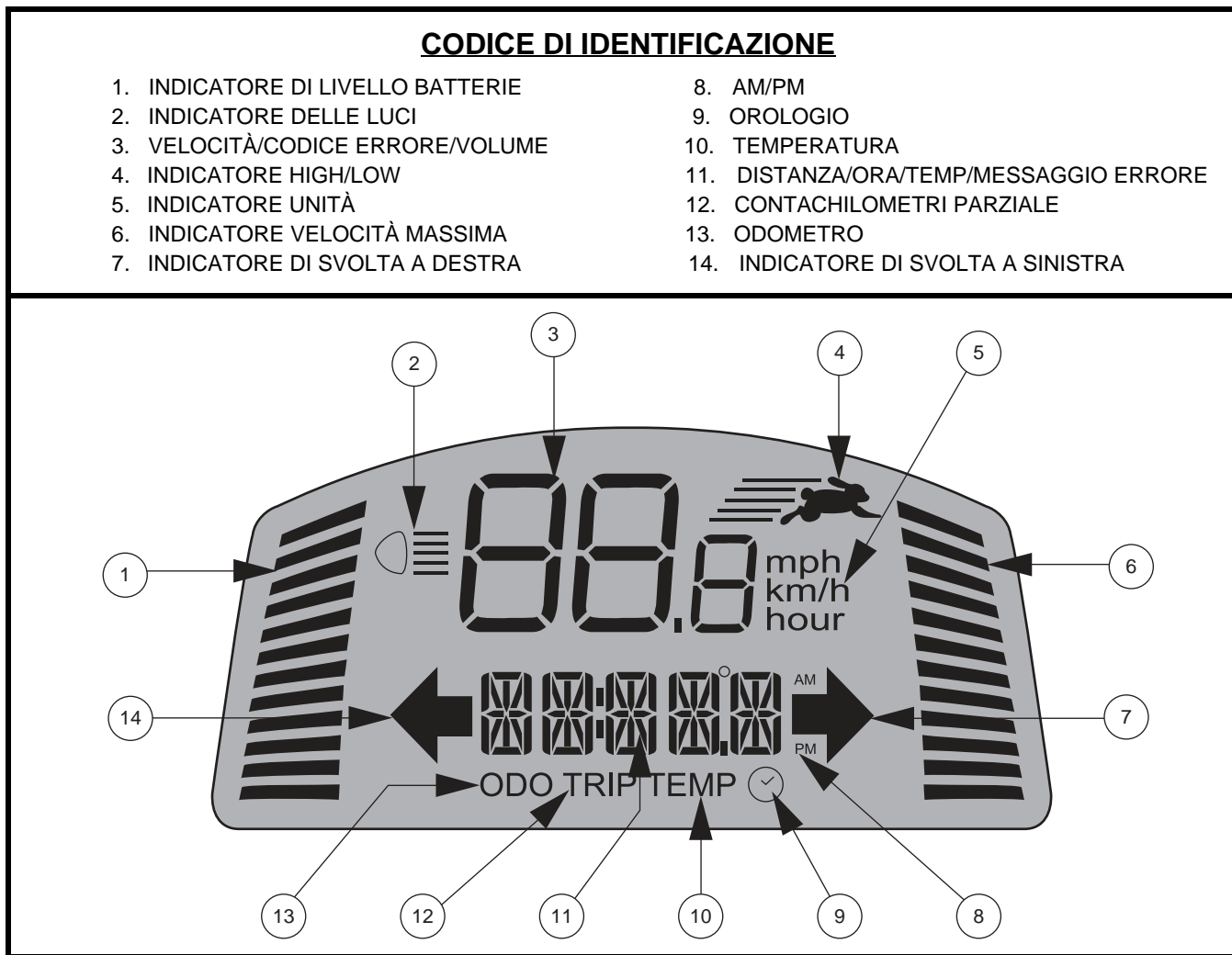


Figura 4. Schermo LCD

## II. IL TUO SCOOTER


GRAFICO DELLE INFORMAZIONI DI IMPOSTAZIONE		
IMPOSTAZIONE	CODE	INFORMAZIONI
Odometro	<b>ODO</b>	Misura le mph, km/h e le ore di utilizzo. L'odometro visualizza la distanza totale percorsa durante la vita dello scooter. (non può essere reimpostato)
Contachilometri parziale	<b>TRIP</b>	Visualizza la distanza di viaggio percorsa. Può essere reimpostato a (0)
Temperatura	<b>TEMP</b>	Questa modalità visualizza la temperatura attuale in °F oppure °C.
Orologio		L'ora può essere visualizzata nel formato 12 ore (AM/PM) o 24 ore.

Grafico 1. Informazioni del pannello di controllo LCD

Premere il tasto **MODE** fino a quando sullo schermo LED compariranno le impostazioni che si desidera modificare. Premere e tenere premuto **SET** e seguire le indicazioni corrispondenti alle impostazioni desiderate nel **grafico 2**.


	<b>ODO</b>	<b>TRIP</b>	<b>TEMP</b>	
<b>ATTIVAZIONE</b>	Premere il pulsante <b>MODE</b> fino a visualizzare l'opzione <b>ODO</b> (odometro).	Premere il pulsante <b>MODE</b> fino a visualizzare l'opzione <b>TRIP</b> (contachilometri parziale).	Premere il pulsante <b>MODE</b> fino a visualizzare l'opzione <b>TEMP</b> (temperatura).	Premere e tener premuto il pulsante <b>MODE</b> fino a visualizzare sullo schermo il simbolo dell'orologio.
<b>SELEZIONE</b>	Tenendo premuto il pulsante <b>SET</b> premere contemporaneamente il pulsante <b>MODE</b> finché l'opzione di impostazione inizia a lampeggiare. Scorrere attraverso le diverse opzioni premendo il pulsante <b>SET</b> .	Tenendo premuto il pulsante <b>SET</b> premere contemporaneamente il pulsante <b>MODE</b> per 2 secondi e rilasciare. Premere e tener premuto il pulsante <b>SET</b> finché il contachilometri parziale risulta reimpostato a 0.0.	Tenendo premuto il pulsante <b>SET</b> premere contemporaneamente il pulsante <b>MODE</b> finché l'opzione di impostazione inizia a lampeggiare. Scorrere attraverso le diverse opzioni (°F o °C) premendo i pulsanti <b>SET</b> .	Tenendo premuto il pulsante <b>SET</b> premere contemporaneamente il pulsante <b>MODE</b> finché la cifra dell'orario inizia a lampeggiare. Utilizzare il pulsante <b>SET</b> per impostare l'ora. Continuare ad utilizzare i pulsanti <b>MODE</b> e <b>SET</b> per programmare i minuti e le impostazioni del formato di visualizzazione dell'ora AM/PM.
<b>USCITA</b>	Quando l'opzione desiderata lampeggia, premere un pulsante qualsiasi ad eccezione del pulsante <b>SET</b> per uscire.	Premere un pulsante qualsiasi ad eccezione del pulsante <b>SET</b> per uscire.	Quando l'impostazione prescelta lampeggia, premere un pulsante qualsiasi ad eccezione del pulsante <b>SET</b> per uscire.	Premere un pulsante qualsiasi ad eccezione del pulsante <b>MODE</b> o <b>SET</b> per uscire.

Grafico 2. Informazioni pannello di controllo LCD

### Modalità di ricarica della batteria

Durante la ricarica della batteria, la console visualizza l'orologio e l'indicatore di stato della batteria.

## II. IL TUO SCOOTER

### Indicatore di stato della batteria

Quando la chiave è in posizione "on", l'indicatore LED visualizza una lettura approssimativa della potenza della batteria. Quando la tensione della batteria dello scooter raggiunge un livello sufficientemente basso, un segnale acustico suona una volta, indicando che la batteria deve essere ricaricata. Il segnale acustico smette di suonare fino al successivo avvio dello scooter, o fino a quando si preme la leva di controllo dell'acceleratore.

### LED di indicazione della velocità massima

L'indicatore di velocità massima visualizza la velocità massima selezionata con gli appositi pulsanti di regolazione. Maggiore è il numero di barre illuminate, maggiore è la velocità. La massima velocità dello scooter sarà determinata dall'impostazione **HIGH-LOW**, che limita la velocità massima a metà se è impostata su **LOW**. L'effettiva velocità di guida sarà visualizzata nell'apposito display sullo schermo LCD.

### Controllo del volume

Il volume del segnale acustico per luci di emergenza, clacson, bassa tensione delle batterie, indicatori di svolta e messaggio di errore può essere aumentato, ridotto, oppure spento separatamente. **Vedere figura 5.**

### Per impostare il volume:

1. Verificare che la chiave sia in posizione "off".
2. Premere contemporaneamente i due pulsanti corrispondenti (**vedere grafico 3**), e girare la chiave in posizione "on".
3. Quando compare lo schermo con il controllo del volume, rilasciare i pulsanti.
4. Premere il pulsante con il simbolo della lepre per aumentare il volume del segnale acustico e quello con il simbolo della tartaruga per ridurlo (0 indica spento e 4 indica il volume massimo).
5. Per uscire, premere qualunque pulsante eccetto la **lepre** o la **tartaruga**.

**NOTA:** L'opzione della lingua del messaggio di errore si imposta nello stesso modo del volume.

FUNZIONE	PULSANTI	INDICATORE FUNZIONE
Luci di emergenza	SET + LUCI DI EMERGENZA	SET 1
Clacson	SET + CLACSON	SET 2
Bassa tensione delle batterie	SET + INDICATORE SVOLTA A SINISTRA	SET 3
Segnali di svolta	SET + INDICATORE SVOLTA A DESTRA	SET 4
Opzione lingua di messaggio di errore	SET + LUCI	SET 5 6 - Spagnolo 5 - Italiano 4 - Francese 3 - Tedesco 2 - Olandese 1 - Inglese 0 - Chiudi

Grafico 3. Informazioni controllo volume

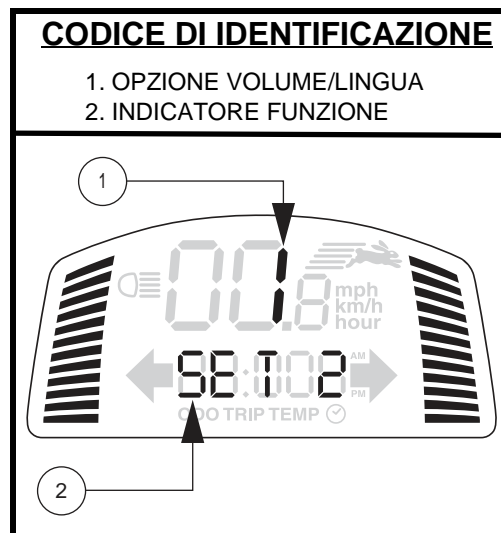


Figura 5. Visualizzazione Controllo del Volume



## II. IL TUO SCOOTER

### PARTE INFERIORE DEL MANUBRIO (disponibile solo sui modelli 614 e 714)

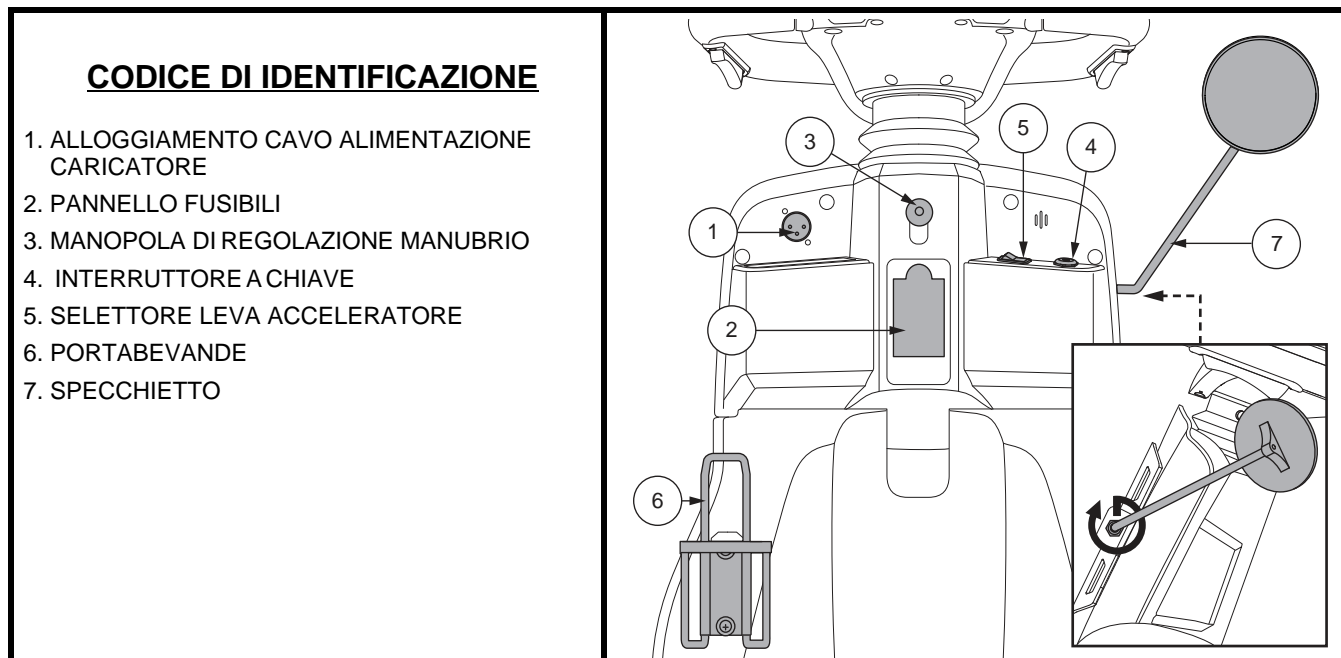


Figura 6. Componenti parte inferiore manubrio

#### Porta del caricatore esterno

Il cavo di alimentazione del caricatore esterno si collega a questa porta per caricare le batterie. La porta del caricatore esterno si trova sul manubrio. **Vedere figura 6.**

#### Fusibili console manubrio

Per informazioni e una descrizione completa del sistema di fusibili, **vedere figura 2.**

#### Leva regolazione inclinazione manubrio o manopola di regolazione manubrio

Consultare il capitolo V. "Regolazioni di comodità."

#### Interruttore a chiave

- Inserire la chiave nell'apposito interruttore e quindi ruotare in senso orario per alimentare (accendere) lo scooter. **Vedere figura 6.**
- Ruotare la chiave in senso antiorario per spegnere lo scooter.



**AVVERTENZA! Se la chiave viene portata in posizione "off" quando lo scooter è in movimento, i freni elettronici si attivano e lo scooter si ferma improvvisamente!**

#### Selettore Leva Acceleratore

Questo selettore consente di stabilire quale leva dell'acceleratore (destra o sinistra) abilitare. **Vedere figura 6.**

- Spostare il selettore a sinistra per abilitare la leva acceleratore sinistra.
- Spostare il selettore a destra per abilitare la leva acceleratore destra.

**NOTA:** *Può funzionare una sola leva acceleratore alla volta.*

#### Portabevande

Il portabevande è destinato all'alloggiamento di una bottiglia d'acqua in plastica di dimensioni standard. Può essere installato su entrambi i lati dello scooter utilizzando l'attrezzatura in dotazione.

## II. IL TUO SCOOTER

### SEZIONE POSTERIORE

La leva di sblocco ruote manuale, le ruotine anti-ribaltamento (se in dotazione), il gruppo motore/differenziale, e le staffe opzionali per la bandierina di sicurezza si trovano sullo scooter come illustrato. **Vedere figura 7.** Sebbene non illustrato, anche le batterie e l'interruttore principale (tasto di reset) si trovano nella sezione posteriore dello scooter.



**AVVERTENZA!** Prima di attivare o disattivare la modalità di sblocco ruote dello scooter, estrarre la chiave dall'apposito interruttore. Non stare in sella allo scooter in modalità di sblocco ruote. Non attivare mai la modalità di sblocco ruote dello scooter su una pendenza.

#### CODICE DI IDENTIFICAZIONE

1. LEVA SBLOCCO RUOTE MANUALE
2. GRUPPO MOTORE/DIFFERENZIALE
3. ANTI-RIBALTAMENTO (se fornito)
4. STAFFA PER LA BANDIERINA DI SICUREZZA

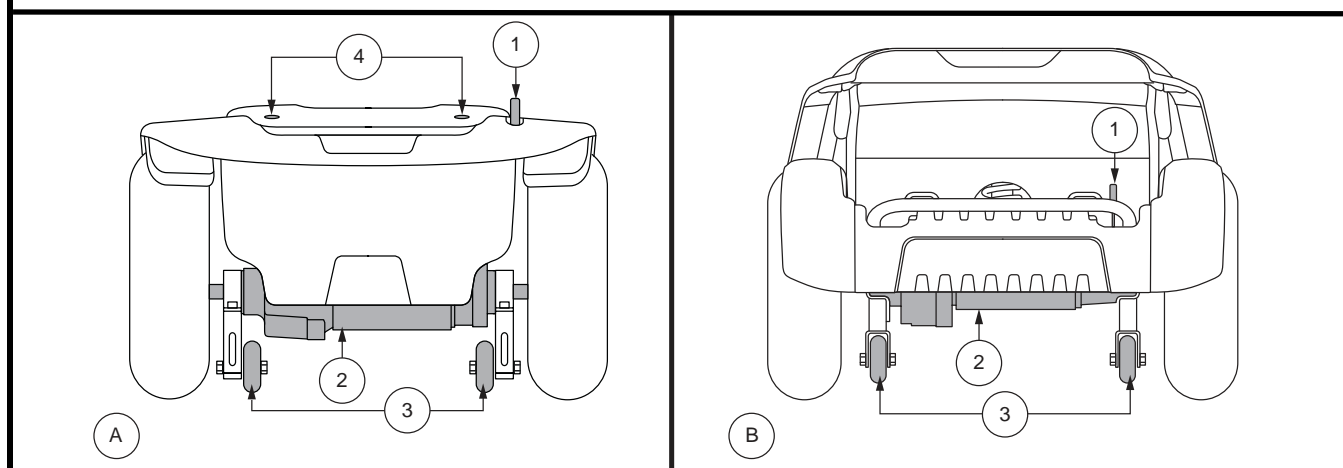


Figura 7. Sezione posteriore

#### Leva sblocco ruote manuale

Nel caso in cui sia necessario o si desideri spingere lo scooter per brevi tratti, è possibile attivare la modalità di sblocco ruote.

1. Accertarsi che la chiave sia stata estratta dall'apposito interruttore.
2. Spingere in avanti la leva di sblocco ruote manuale per disattivare il sistema di trazione e il sistema frenante. Ora è possibile spingere lo scooter.
3. Spingere indietro la leva di sblocco manuale per riattivare la trazione e il sistema frenante, uscendo dalla modalità di sblocco ruote dello scooter.



**AVVERTENZA!** In modalità di sblocco ruote, il sistema frenante dello scooter è disattivato.

- Sbloccare i motori di trazione solo su una superficie piana.
- Accertarsi che la chiave sia stata estratta dall'apposito interruttore.
- Stare in piedi accanto allo scooter per attivare o disattivare la modalità di sblocco ruote. Non sedersi mai sullo scooter per questa operazione.
- Dopo avere spinto manualmente lo scooter, riportarlo sempre in modalità di guida per bloccare i freni.

**NOTA:** Se lo scooter è in modalità di sblocco delle ruote (leva di sblocco ruote manuale in avanti) mentre la chiave è in posizione "on", lo scooter non si muove fino a quando la leva di sblocco ruote manuale viene spinta all'indietro e la chiave è posizionata su "off" e quindi nuovamente su "on".

## II. IL TUO SCOOTER

### Gruppo motore/differenziale

Il gruppo motore/differenziale è l'unità elettromeccanica che converte l'energia elettrica delle batterie dello scooter nell'energia meccanica controllata che muove le ruote dello scooter.

### Ruotine anti-ribaltamento (se dotazione)

Le ruotine anti-ribaltamento costituiscono un importante elemento di sicurezza integrante dello scooter. Sono fissate sul telaio nella parte posteriore dello scooter.



**PROIBITO! Non rimuovere mai le ruotine anti-ribaltamento né modificare in alcun modo lo scooter senza autorizzazione.**



**AVVERTENZA! Le ruotine anti-ribaltamento potrebbero interferire nelle prestazioni dello scooter in salita, in discesa o nel superamento di un ostacolo. Contattare il fornitore autorizzato per ulteriori informazioni.**

### Batterie

Le batterie conservano l'energia elettrica che alimenta lo scooter. Per la modalità di ricarica delle batterie dello scooter, vedere il paragrafo III. "Batterie e carica".

### Staffa per la bandierina di sicurezza (opzionale — Modelli 613/713)

Sul retro dello scooter sono montate delle staffe opzionali per l'installazione di una bandierina di sicurezza. **Vedere figura 7.**

#### Per installare la bandierina di sicurezza:

1. Rimuovere il coperchio dalla cima della staffa.
2. Inserire l'asta della bandierina nell'apertura.

### Interruttore principale

Quando il voltaggio delle batterie dello scooter è basso, oppure quando lo scooter è pesantemente sollecitato da carichi eccessivi o da pendenze ripide, l'interruttore principale può scattare per proteggere il motore e i componenti elettronici da possibili danni. Quando l'interruttore scatta, l'intero sistema elettrico si spegne.

**Vedere figura 8.**

■ Tre tipi:

1. **Il pulsante di reset scatta** quando si attiva il salva circuito.
2. **Il pulsante reset fuoriesce** quando l'interruttore scatta.
3. **Il tipo a reset automatico** si resetterà automaticamente dopo circa un minuto.

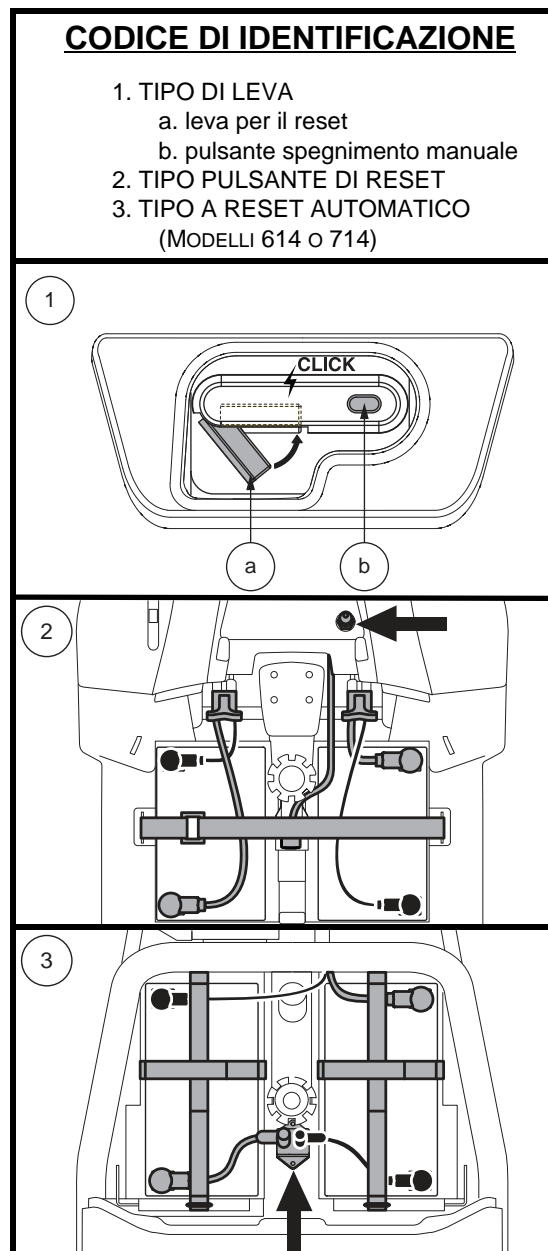


Figura 8. Interruttore di rete principale

## II. IL TUO SCOOTER

- Attendere circa un minuto per lasciare riposare i componenti elettrici.
- Spingere la leva di reset fino a sentire un click, o premere il pulsante reset per ripristinare l'interruttore.
- Se l'interruttore scatta frequentemente, può essere necessario caricare le batterie più spesso, oppure fare eseguire un test di ricarica delle batterie dal Rivenditore autorizzato.
- Se l'interruttore scatta ripetutamente, consultare il proprio fornitore autorizzato per assistenza.

**NOTA:** *Se si sta preparando lo scooter per il trasporto o assistenza tecnica, o se la situazione richiede di arrestare manualmente il sistema elettrico, premere il pulsante per lo spegnimento manuale sul salva circuito. Questo toglierà qualsiasi tipo di alimentazione elettrica allo scooter.*

### FISSAGGIO DELLO SCOOTER

Fissare sempre lo scooter rivolto in avanti nel veicolo. Unire le quattro fascette di fissaggio ai punti designati. **Vedere figura 9 e 10.** Stringere le fascette in modo da eliminare qualsiasi movimento dello scooter. Non attaccare mai fissaggi a parti regolabili, mobili o rimovibili dello scooter, come braccioli, scocche e ruote. Questi oggetti devono essere rimossi. Posizionare i punti di ancoraggio per le fascette di fissaggio posteriori dietro i punti di fissaggio posteriori dello scooter. Le fascette di fissaggio anteriori devono ancorarsi a punti del pavimento, a distanza maggiore della larghezza dello scooter per fornire una maggiore stabilità laterale.



**AVVERTENZA!** Verificare che gli scooter siano adeguatamente fissati al veicolo durante il trasporto. Gli scooter non adeguatamente fissati possono rappresentare un pericolo per l'utente e per gli altri passeggeri del veicolo in caso di incidente, arresto improvviso o brusca deviazione, poiché lo scooter potrebbe capovolgersi o scivolare. Non fissare lo scooter con una delle parti rimovibili, come braccioli, sedile, cestino, staffe accessorie, ecc.

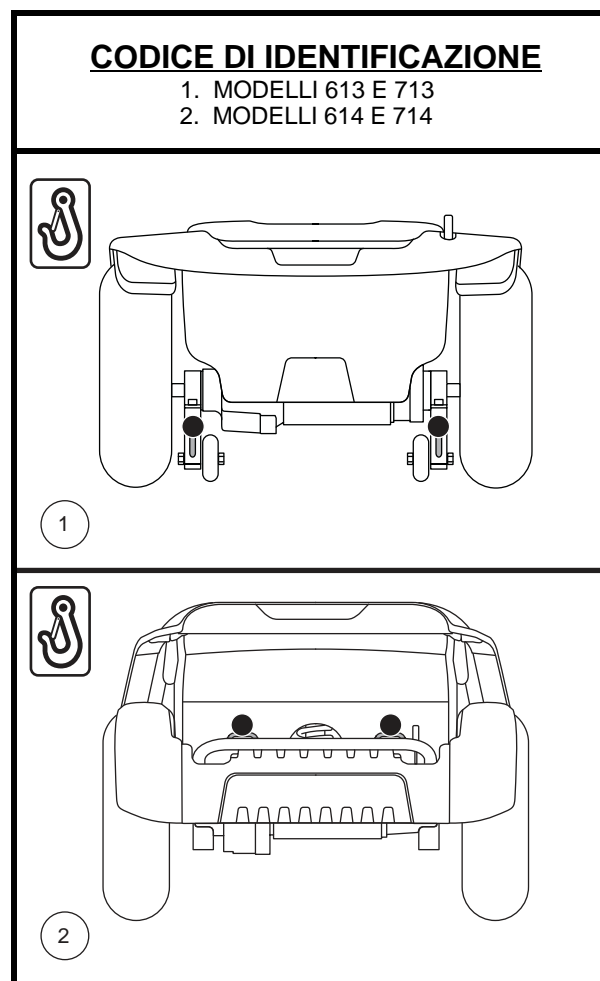


Figura 9. Punti di fissaggio posteriore (Identificati dai punti neri)

## II. IL TUO SCOOTER

### CODICE DI IDENTIFICAZIONE

1. MODELLI: 3-RUOTE
2. MODELLI: 4-RUOTE

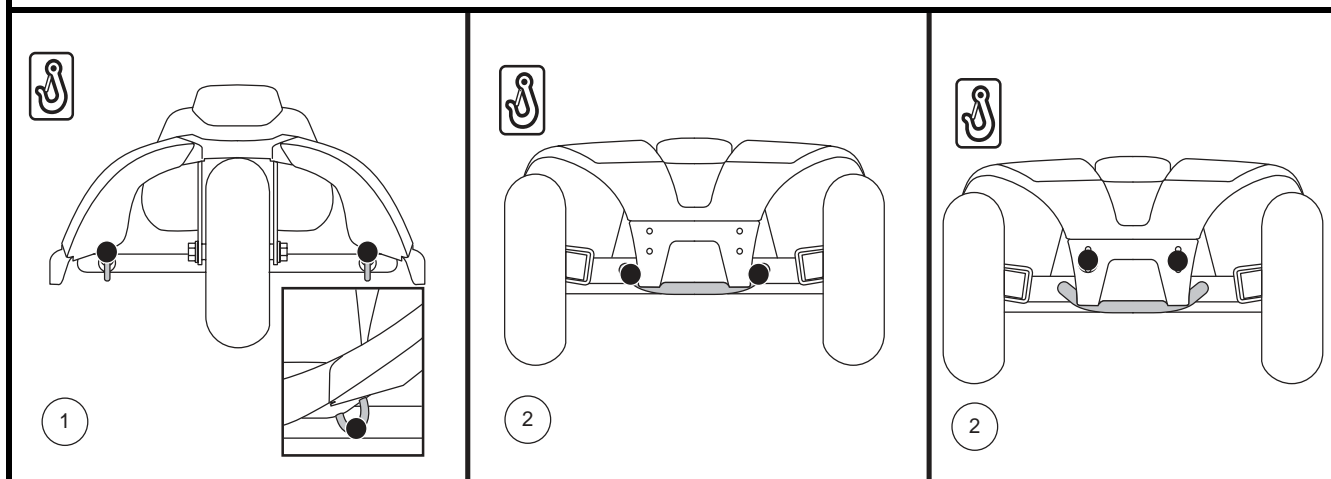


Figura 10. Punti di fissaggio anteriore (Identificati dai punti neri)

# III. BATTERIE E RICARICA

## BATTERIE E RICARICA

Lo scooter richiede due batterie di lunga durata da 12 volt, a ciclo continuo, sigillate ed esenti da manutenzione. Sono ricaricate dal sistema di ricarica esterno fornito con l'ausilio.

- Caricare le batterie dalle 8 alle 14 ore precedentemente al primo utilizzo dello scooter.
- Mantenere le batterie completamente cariche garantisce allo scooter massime prestazioni.

## LETTURA DEL VOLTAGGIO DELLE BATTERIE

L'indicatore di carica delle batterie sulla console manubrio utilizza un codice cromatico per indicare la carica approssimativa delle batterie. Da destra a sinistra dell'indicatore, il verde indica che le batterie sono completamente cariche, il giallo che si stanno scaricando e il rosso l'immediata necessità di ricarica. **Vedere figura 11.** Per garantire la massima precisione, l'indicatore di stato delle batterie deve essere controllato durante l'uso dello scooter a massima velocità, su una superficie uniforme e asciutta. Per i modelli dotati di schermo LCD fare riferimento alla sezione "Indicatore di stato della batterie" a pagina 176.

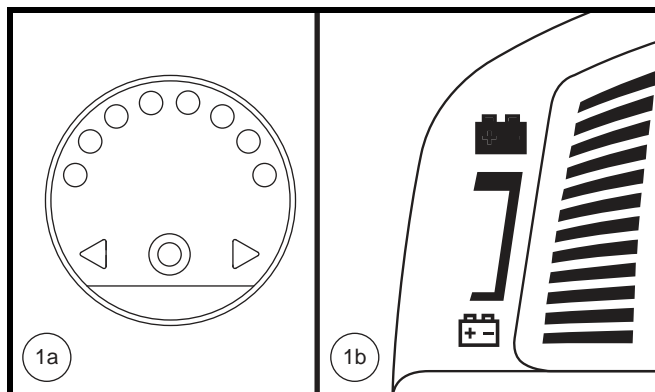


Figura 11. Indicatore dello stato delle batterie

## RICARICA DELLE BATTERIE



**PROIBITO!** La rimozione dello spinotto di messa a terra può causare scossa elettrica. Se necessario, installare correttamente un adattatore autorizzato a 3 spinotti in una presa elettrica con accesso per spina a 2 spinotti.



**PROIBITO!** Non usare mai una prolunga per collegare il caricabatterie. Collegare il caricabatterie direttamente ad una presa a muro standard con cablaggio adeguato.



**PROIBITO!** Non lasciare giocare i bambini senza il controllo dei genitori mentre le batterie sono sotto carica. Si raccomanda di non caricare le batterie quando lo scooter è occupato.



**OBBLIGATORIO!** Leggere attentamente le istruzioni di carica delle batterie nel presente manuale e nel manuale fornito con il caricabatterie, prima di ricaricarle.

**AVVERTENZA!** Durante le operazioni di carica delle batterie potrebbero essere prodotti dei gas esplosivi. Tenere lo scooter ed il caricabatterie lontani da fonti di calore quali fiamme o scintille e fornire un'adeguata ventilazione durante la carica delle batterie.

**AVVERTENZA!** Le batterie devono essere caricate con il caricabatterie esterno fornito in dotazione con l'ausilio. Non usare un caricabatterie per batterie da automobili.

**AVVERTENZA!** Controllare che il caricabatterie, i cavi ed i connettori non siano danneggiati prima dell'uso. Contattare il vostro rivenditore autorizzato in caso di danni.



**AVVERTENZA!** Non tentare di aprire la scatola del caricabatterie. Qualora il caricabatterie sembri non funzionare correttamente, contattare il vostro rivenditore autorizzato.

**AVVERTENZA!** Se il vostro caricabatterie esterno è dotato di fessure per il raffreddamento, non cercare di inserire oggetti attraverso queste fessure.

**AVVERTENZA!** Prestare attenzione al caricabatterie che sotto carica potrebbe riscaldarsi. Evitare il contatto con la pelle e non posizionare su superfici che potrebbero essere danneggiate dal calore.

## III. BATTERIE E RICARICA



**AVVERTENZA!** Se il Vostro caricabatterie non è stato testato e approvato per uso esterno, evitare di esporlo a intemperie e condizioni atmosferiche avverse. Se il caricabatterie è stato esposto a intemperie e condizioni atmosferiche avverse, dovrà essere riposto in condizioni ambientali standard prima di essere utilizzato. Consultare il manuale fornito con il caricabatterie per ulteriori informazioni.

Per caricare le batterie in totale sicurezza, attenersi alle istruzioni fornite di seguito:

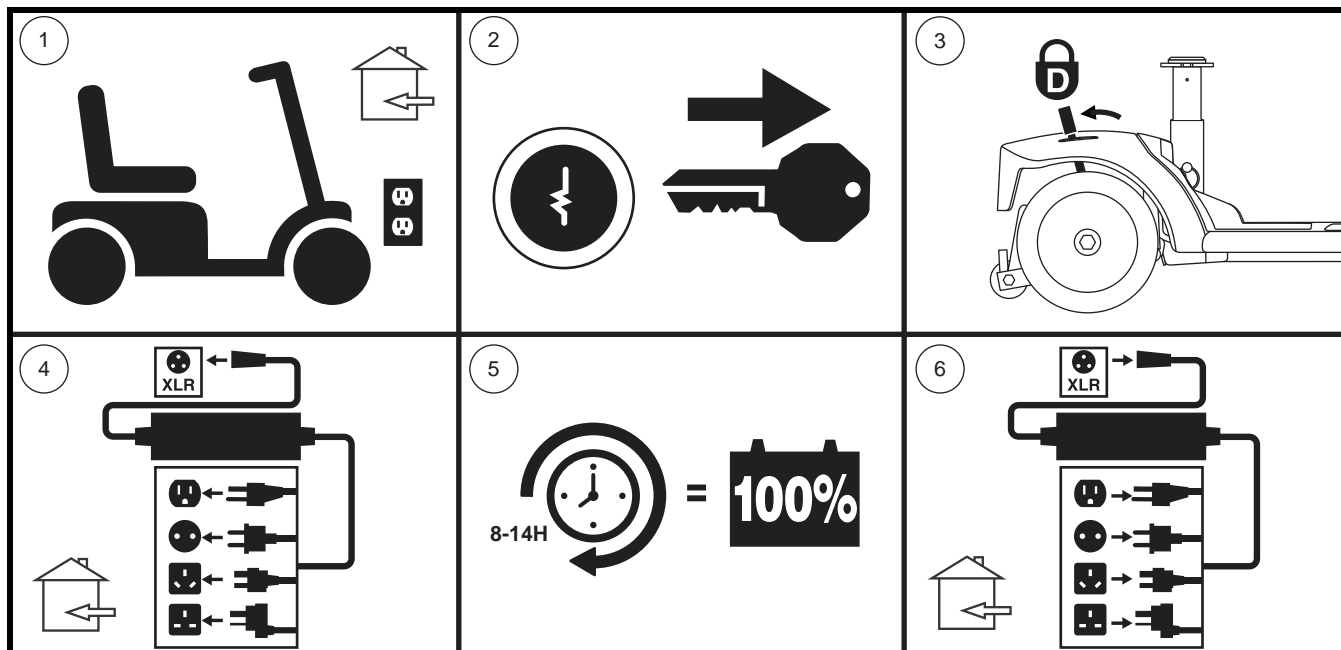


Figura 12. Schema delle procedure di ricarica della batteria



**AVVERTENZA!** Le luci LED sul caricabatterie indicano diverse condizioni del caricabatterie in vari momenti. Se il LED non indica che la carica è completa entro 24 ore, staccare il caricabatterie dalla presa e contattare il proprio fornitore. Consultare l'etichetta sul caricabatterie per una spiegazione completa di questi indicatori.

**NOTA:** Lo scooter dispone di una funzione di inibizione in carica. Lo scooter non partirà e l'indicatore di carica non funzionerà con le batterie sotto carica.

### DOMANDE FREQUENTI

#### Come funziona il caricabatterie?

Quando il voltaggio delle batterie dello scooter è basso, il caricabatterie lavora di più e invia maggiore quantità di corrente elettrica alle batterie per alzarne lo stato di carica. Mentre il voltaggio raggiunge la carica completa, il caricabatterie diminuisce progressivamente la quantità di corrente inviata alle batterie. Quando le batterie sono completamente cariche, la corrente inviata dal caricabatterie è praticamente quasi pari a zero. Pertanto, quando il caricabatterie è inserito, mantiene la carica delle batterie dello scooter senza sovraccaricarle. Consultare il manuale fornito con il caricabatterie per le istruzioni di carica.

#### Posso usare un caricabatterie diverso?

I caricabatterie sono stati specificatamente selezionati e sono abbinati al tipo, al formato e alla formulazione chimica delle batterie specifiche per l'ausilio. Per una ricarica più sicura ed efficiente delle batterie dello scooter, si raccomanda solo l'uso del caricabatterie fornito come apparecchiatura originale del prodotto. Qualunque metodo di ricarica che comporti una ricarica individuale delle batterie è assolutamente vietato.

## III. BATTERIE E RICARICA

### Perchè le batterie dello scooter non si ricaricano?

- Verificare che i cavi rosso (+) e nero (-) della batteria siano correttamente collegati ai terminali della batteria.
- Accertarsi che entrambe le estremità del cavo di alimentazione del caricabatterie siano correttamente inserite.

### Con quale frequenza è necessario caricare le batterie?

È necessario considerare due fattori principali per decidere la frequenza di ricarica delle batterie dello scooter:

- Utilizzo giornaliero dello scooter per l'intera giornata.
- Utilizzo infrequente o sporadico dello scooter.

Tenendo presenti queste considerazioni, è possibile determinare la frequenza e la durata della carica delle batterie dello scooter. Il caricabatterie esterno è progettato in modo da non sovraccaricare le batterie dello scooter. Tuttavia si possono verificare problemi nel caso in cui le batterie non vengano ricaricate con sufficiente frequenza o regolarità. Per una carica e funzionalità ottimale delle batterie seguire attentamente le indicazioni.

- In caso di utilizzo quotidiano dello scooter, caricare le batterie al termine della giornata di utilizzo. Lo scooter sarà pronto al mattino per una piena giornata di funzionamento. Si raccomanda una ricarica delle batterie dello scooter da un minimo di 8 ad un massimo di 14 ore in caso di utilizzo quotidiano. Si consiglia di caricare le batterie per altre 4 ore dopo che il caricabatterie indica che la ricarica è completa.
- In caso di utilizzo settimanale o inferiore, caricare le batterie almeno una volta la settimana, per una durata di almeno 24 ore.

**NOTA:** *Conservare le batterie completamente cariche ed evitare di scaricarle completamente. Per le istruzioni di ricarica, consultare il manuale fornito con il caricabatterie. Si consiglia di caricare le batterie per almeno 48 ore consecutive una volta al mese per migliorarne le prestazioni e la durata.*

### Come garantire la massima durata delle batterie?

Le batterie a ciclo continuo pienamente cariche offrono prestazioni affidabili e massima durabilità. Mantenere le batterie dello scooter in piena carica se possibile. Proteggere scooter e batterie da condizioni atmosferiche estreme. Le batterie scaricate a fondo regolarmente e caricate di rado, o conservate senza effettuare ricariche complete, possono danneggiarsi in maniera permanente, con conseguente inaffidabilità e limitata durabilità.

**NOTA:** *Per prolungare la durata della batteria, spegnere sempre lo scooter ed estrarre la chiave quando non è in uso.*

### In che modo si ottiene la massima percorrenza o distanza per ogni carica?

Raramente si presentano condizioni di percorrenza ideale—fondo stradale regolare, piano, duro, in assenza di vento o curve. Spesso si incontrano colline, crepe nei marciapiedi, superfici irregolari e non compatte, curve e vento e tutte queste condizioni influiscono sulla percorrenza o sulla durata per ciclo di carica delle batterie. Di seguito sono indicati alcuni suggerimenti per massimizzare la percorrenza per ogni ciclo di carica delle batterie.

- Prima dell'uso, ricaricare sempre completamente le batterie dello scooter.
- Mantenere il valore della pressione dell'aria in psi/bar/kPa indicato sui pneumatici stessi.
- Pianificare l'itinerario per evitare il più possibile salite e superfici sconnesse, danneggiate o morbide.
- Limitare il peso dei bagagli all'essenziale.
- Cercare di mantenere una velocità di crociera costante dello scooter.
- Evitare ripetute fermate e ripartenze.
- Si consiglia di caricare le batterie per almeno 48 ore consecutive una volta al mese per migliorarne le prestazioni e la durata.
- Verificare che tutte le connessioni siano ben salde.



## III. BATTERIE E RICARICA

### Quale tipo e formato di batteria è opportuno usare?

Si consigliano batterie a ciclo continuo sigillate e prive di manutenzione. Sia le batterie sigillate a piombo acido sia quelle al gel sono a ciclo continuo e registrano prestazioni analoghe. Non utilizzare batterie a cellula liquida con tappi asportabili.



**AVVERTENZA! Le batterie contengono sostanze chimiche corrosive. Per ridurre il rischio di perdite di liquido o condizioni di esplosione, usare solamente batterie AGM o gel.**

**NOTA:** *Le batterie sigillate non richiedono alcuna manutenzione. Non rimuovere i tappi.*

### Perché le batterie nuove sembrano deboli?

Le batterie a ciclo continuo utilizzano una tecnologia chimica differente da quella delle batterie per automobili, dalle nichelio-cadmio o da altri tipi di batterie comunemente note. Le batterie a ciclo continuo sono concepite per erogare alimentazione, esaurire la carica e successivamente effettuare una ricarica relativamente rapida.

Noi lavoriamo in stretta collaborazione con il fornitore di batterie al fine di offrire le batterie più indicate alle specifiche esigenze elettriche dello scooter. Le batterie nuove arrivano quotidianamente e vengono inviate ai clienti completamente cariche. Nel corso della spedizione le batterie possono essere esposte a temperature estreme che influiscono sulle prestazioni iniziali. Il calore diminuisce la carica della batteria; il freddo rallenta l'erogazione di elettricità e prolunga il tempo necessario per la ricarica.

La stabilizzazione della temperatura delle batterie nuove dello scooter può richiedere qualche giorno, così come l'adattamento alla nuova temperatura ambientale. L'equilibrio chimico critico essenziale al raggiungimento del massimo delle prestazioni e della durabilità di una batteria a ciclo continuo richiede l'esecuzione di alcuni cicli di carica (scaricamenti parziali seguiti da ricariche complete).

### **Attenersi alle istruzioni fornite per inizializzare le nuove batterie dello scooter ed ottenere il massimo delle prestazioni e della durabilità:**

1. Effettuare una ricarica completa di tutte le batterie nuove prima di utilizzarle. Questo ciclo di ricarica porta le batterie all'88% del livello di prestazione massima.
2. Utilizzare il nuovo scooter in luoghi sicuri e conosciuti. Iniziare con una guida lenta e non spingersi troppo lontano da casa o dai luoghi noti fino al raggiungimento di una certa pratica dei comandi dello scooter.
3. Effettuare una ricarica completa delle batterie. Devono superare il 90% del livello di prestazione massima.
4. Utilizzare nuovamente lo scooter. Effettuare nuovamente una ricarica completa delle batterie.
5. Al termine di quattro cinque cicli di ricarica, le batterie sono in grado di ricevere una carica pari al 100% delle prestazioni massime e durare per un periodo di tempo prolungato.

### **Trasporto pubblico**

Le batterie in AGM e al GEL sono progettate per l'utilizzo su scooter ed altri veicoli per la mobilità. Queste batterie sono approvate dalla FAA - Federal Aviation Administration (solo Stati Uniti) che ne garantisce il trasporto sicuro su aerei, autobus e treni, non essendovi alcun pericolo di perdita o dispersione. Si consiglia di contattare in anticipo la biglietteria del vettore per conoscere i requisiti specifici richiesti dal vettore stesso.

# III. BATTERIE E RICARICA

Come sostituire le batterie?



**OBBLIGATORIO!** I gruppi batteria, i terminali e gli accessori relativi contengono piombo e composti del piombo. Per maneggiare le batterie indossare occhiali e guanti e lavare le mani ad operazioni ultimate.



**PROIBITO!** Usare sempre due batterie dello stesso tipo, stessa composizione chimica e capacità amperora (Ah). Consultare la tabella delle specifiche tecniche contenuta nel presente manuale ed in quello fornito con il caricabatteria per il tipo e le capacità raccomandate.

**AVVERTENZA!** Non mischiare batterie vecchie e nuove. Sostituire sempre entrambe le batterie contemporaneamente.



**AVVERTENZA!** Contattare il fornitore autorizzato in caso di domande sulle batterie dello scooter.

**AVVERTENZA!** Non sostituire le batterie, se lo scooter è occupato.

**AVVERTENZA!** Le batterie del Vostro scooter dovranno essere controllate e sostituite dal rivenditore autorizzato o da un assistente qualificato.



**PROIBITO!** Allontanare strumenti ed oggetti metallici dai terminali della batteria. Il contatto con strumenti metallici può provocare scosse elettriche.

Potreste aver bisogno delle seguenti indicazioni per caricare le batterie:

- Set prese e cricco metrici/standard
- Chiave regolabile



**AVVERTENZA!** Non sollevare pesi oltre la propria capacità fisica. Se necessario, richiedere assistenza prima di eseguire lo smontaggio dello scooter.

Per installare le batterie nello scooter:

1. Rimuovere il sedile e la scocca posteriore. Vedere figura 13.
  - a.) Per il modelli 614 e 714, sollevare la scocca posteriore togliendo le due (2) viti che la fissano al telaio dello scooter e poi sollevare la scocca verso l'alto ed allontanarla dallo scooter. Vedere figura 13.
  - b.) Per il modelli 614 e 714, sollevare la scocca del pacco batterie togliendo le quattro (4) viti che la fissano al telaio dello scooter e poi sollevare la scocca verso l'alto ed allontanarla dallo scooter. Vedere figura 13.
2. Scollegare la fascetta di fissaggio delle batterie.
3. Per tutti i modelli ECCEPTE i mod 614 e 714, scollegare le connessioni telaio anteriore-posteriore. Staccare entrambi i connettori della batteria tirandoli fuori dalla morsettieria. Vedere figura 14.

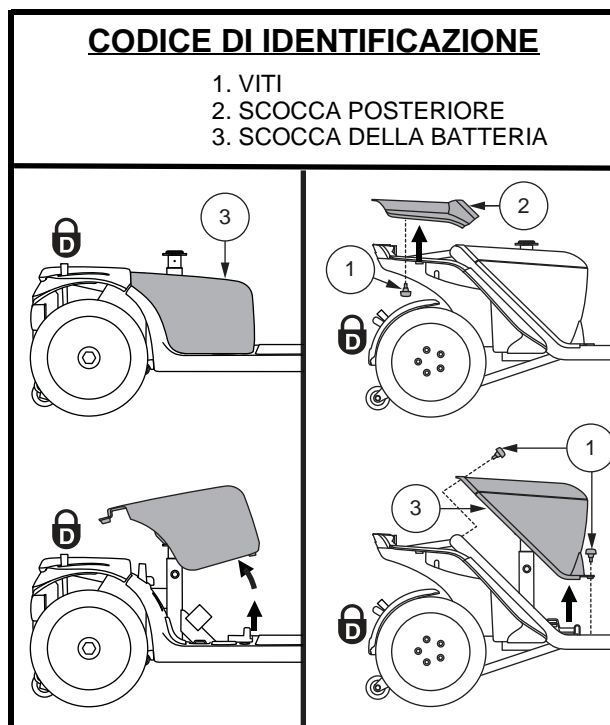


Figura 13. Rimozione/installazione della scocca della batteria



**AVVERTENZA!** Non tirare direttamente i cavi elettrici per staccarli dal scooter. Afferrare sempre il connettore quando si scollegano i cavi, onde evitare danni.

**AVVERTENZA!** Omettere di scollegare i cavi delle batterie e il cavo avanti-indietro prima di separare la scocca anteriore e posteriore potrebbe dar luogo a un danno permanente allo scooter.

# III. BATTERIE E RICARICA

## CODICE DI IDENTIFICAZIONE

### 1. INTERRUPTORE DI RETE PRINCIPALE

- 1a. Pulsante di reset
- 1b. Leva per il reset
- 1c. Tipo a reset automatico

### 2. INVOLUCRI DEI TERMINALI DELLA BATTERIE

- 3. FASCETTA DI FISSAGGIO DELLE BATTERIE
- 4. CONNESSIONI CINGHIA DELLA BATTERIA
- 5. CONNESSIONI TELAIO ANTERIORE-POSTERIORE

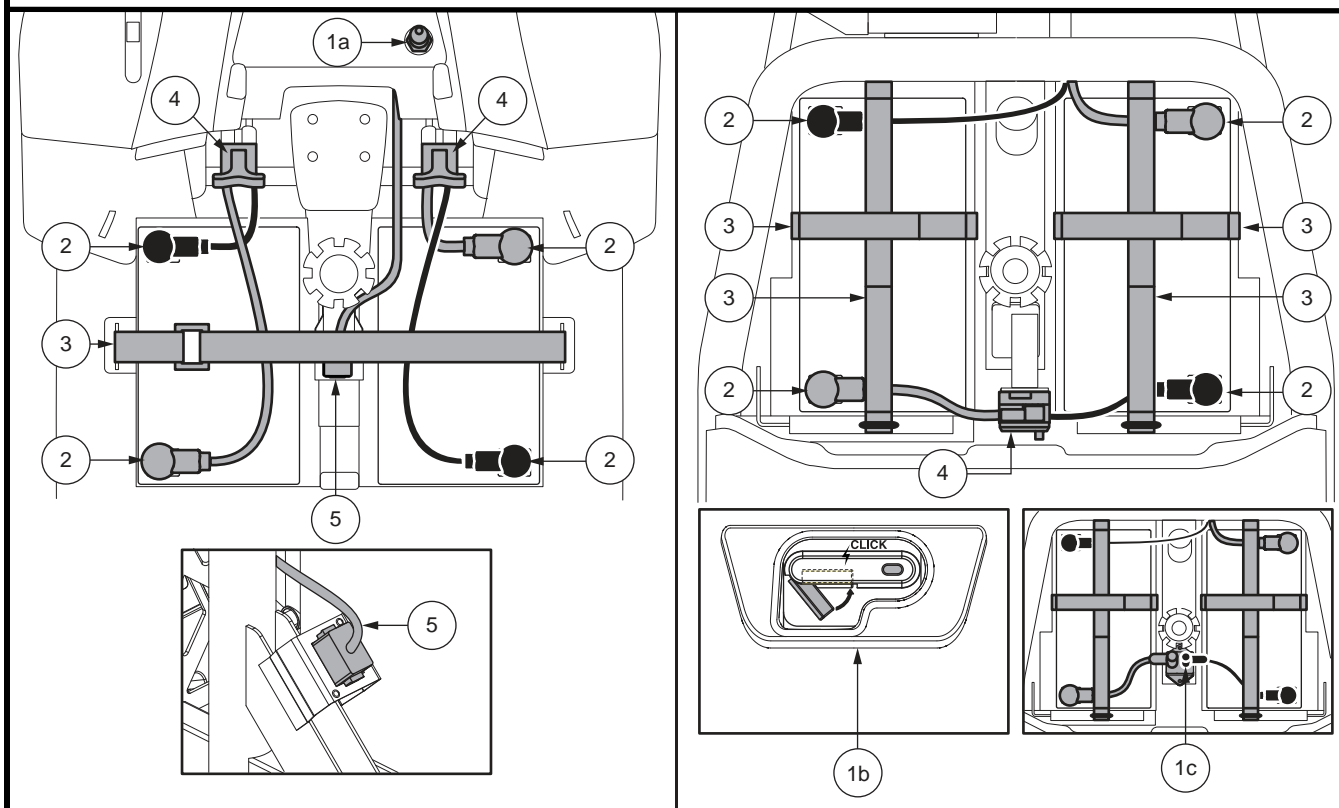


Figura 14. Rimozione della batteria/ installazione di terminali e connessioni

- 4. Scollegare i cavi delle batterie dai terminali portando indietro gli involucri dei terminali e svitando il dado dal bullone. **Vedere figura 15.**
- 5. Rimuovere le vecchie batterie dagli alloggiamenti.

**NOTA:** Alcuni modelli dispongono di spessori per il fissaggio delle batterie. Potrebbe essere necessario rimuoverli per sicurezza fino alla completa sostituzione delle batterie. **Vedere figura 16.**

- 6. Posizionare la batteria nuova nell'alloggiamento corrispondente. Orientare i poli di ciascuna batteria in direzione opposta al sellino con il polo positivo (+) e negativo (-) posizionati come illustrato nella **figura 14.**

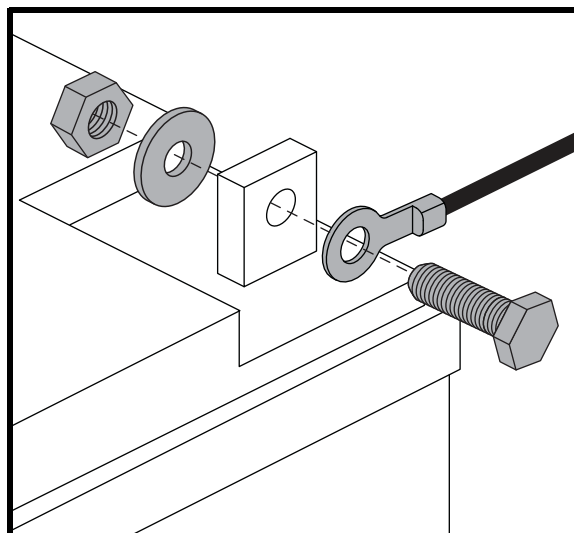


Figura 15. Bulloneria terminale batteria

## III. BATTERIE E RICARICA

**NOTA:** I Modelli 614 e 714 utilizzano delle cinghie per assicurare le batterie all'interno dei rispettivi vani. Fare riferimento alla figura 16 per le procedure di installazione delle cinghie.

7. Su ogni batteria, collegare il cavo rosso al terminale della batteria positivo (+).
8. Su ogni batteria, collegare il cavo nero al terminale della batteria negativo (-).
9. Riposizionare gli involucri sui terminali della batteria.
10. Ricollegare la fascetta di fissaggio delle batterie.
11. Ricollegare la scocca delle batterie, la scocca posteriore e il sedile.

**NOTA:** In caso di batteria danneggiata o fessurata, chiuderla immediatamente in un sacco di plastica. Contattare l'ente locale addetto allo smaltimento dei rifiuti o il rivenditore autorizzato per le istruzioni sullo smaltimento e sul riciclo delle batterie.

### Fissaggio delle batterie e predisposizione delle cinghie

1. Fissare le batterie nei rispettivi alloggiamenti utilizzando le cinghie fornite come illustrato.
2. Assicurarsi che la cinghia più corta si sovrapponga a quella più lunga.

**NOTA:** Prima di fissare le cinghie, assicurarsi che il D-ring sia posizionato come illustrato. Il D-ring deve essere posizionato a non più di 2,54 cm dal vano batteria, senza toccarlo.

3. Parti di cinghia in eccesso devono essere posizionate rivolte di fronte al sellino dello scooter o accanto ad esso.



**AVVERTENZA!** Le cinghie non devono essere mai posizionate sotto la batteria.

### CODICE DI IDENTIFICAZIONE

- |                        |                        |
|------------------------|------------------------|
| 1. FISSAGGIO IN VELCRO | 5. VANO FRONTALE       |
| 2. CINGHIA CORTA       | 6. VANO LATERALE       |
| 3. CINGHIA LUNGA       | 7. VANO POSTERIORE     |
| 4. D-RING              | 8. SPAZIATORI BATTERIA |

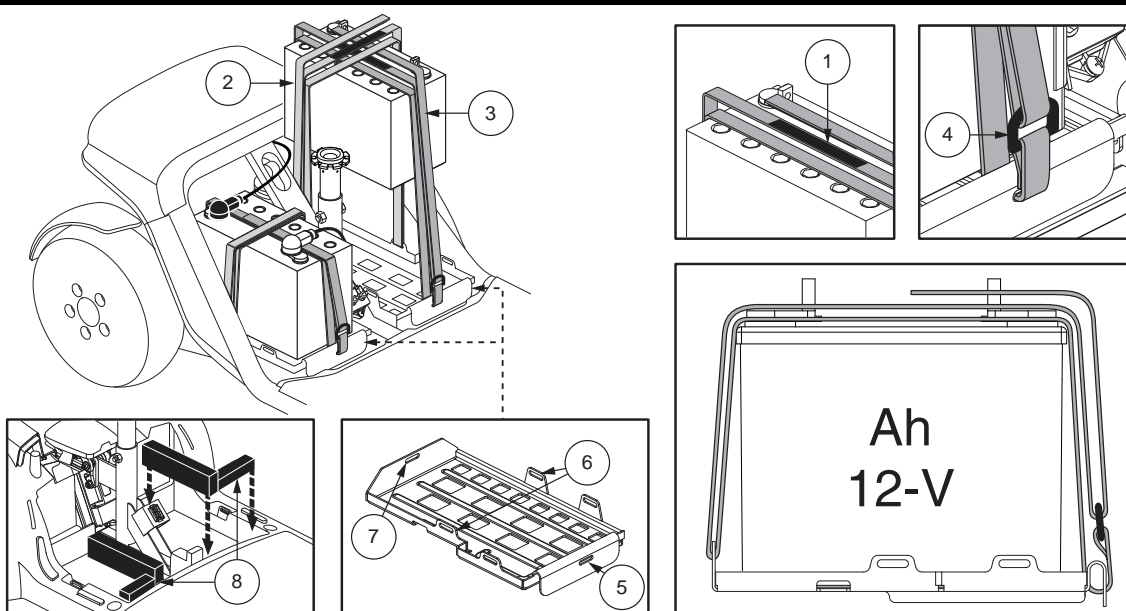


Figura 16. Fissaggio della batteria per i modelli 614 e 714

## IV. UTILIZZO

### PRIMA DI SALIRE SULLO SCOOTER

- Le batterie sono completamente cariche? Vedere il paragrafo III. “Batterie e ricarica”.
- La leva di sblocco manuale è in modalità trazione (giù)? Non lasciare MAI lo scooter in modalità sblocco ruote manuale se non quando lo si spinge a mano.
- Assicurarsi che la temperatura dell'aria è tra -13°F/-25°C a 122°F/50°C.

### SALIRE SULLO SCOOTER

1. Accertarsi che la chiave sia sfilata dall'apposito interruttore.



**AVVERTENZA! Non cercare mai di salire o scendere dallo scooter senza prima avere estratto la chiave dall'apposito interruttore. Ciò previene il movimento dello scooter in caso di contatto accidentale con la leva di controllo dell'acceleratore.**

2. Posizionarsi lateralmente allo scooter.
3. Sbloccare la leva di blocco del sedile e ruotare il sedile fino a quando è di fronte all'utente.
4. Accertarsi che il sedile sia bloccato in sede.
5. Posizionarsi comodamente e saldamente sul sedile.
6. Sbloccare la leva di blocco del sedile e ruotare il sedile fino a quando l'utente guarda in avanti.
7. Accertarsi che il sedile sia bloccato in sede.
8. Verificare che i piedi siano sicuri sul pianale.

### REGOLAZIONI E CONTROLLI PRIMA DELL'USO

- Il sedile è regolato alla giusta altezza? Vedere il paragrafo V. “Regolazioni di comodità”.
- Il sedile è correttamente e saldamente alloggiato?
- Il manubrio è impostato in modo confortevole e bloccato nella propria sede? Vedere il paragrafo V. “Regolazioni di comodità”.
- La chiave è completamente inserita nell'apposita sede e ruotata in senso orario in posizione “on”?
- Il clacson dello scooter funziona correttamente?
- L'itinerario prescelto è libero da persone, animali e ostacoli?
- Si è pianificato un itinerario che eviti, per quanto possibile, terreno disagiata e pendenze?

### UTILIZZO DELLO SCOOTER

**AVVERTENZA! Quanto segue può influire negativamente sulla sterzata e sulla stabilità operativa dello scooter con conseguente perdita di controllo, ribaltamento e/o lesioni personali:**

- Tenere in mano o attaccare un guinzaglio per far passeggiare un animale.
- Portare passeggeri (compresi animali).
- Appendere oggetti al manubrio.
- Essere trainato o spinto da un altro veicolo a motore.



**AVVERTENZA! Rischio di ribaltamento! Evitare manovre brusche a velocità eccessiva. Si consiglia di impostare il regolatore di velocità al minimo fino alla completa conoscenza dei comandi e del funzionamento dello scooter.**

**AVVERTENZA! Lo spazio di frenata dello scooter è maggiore su un terreno in pendenza rispetto ad un terreno in piano.**

**AVVERTENZA! Tenere sempre le mani sul manubrio e i piedi sul pianale in ogni momento durante l'uso dello scooter. Questa posizione di guida offre il massimo controllo del veicolo.**

## IV. UTILIZZO

- Impostare il regolatore della velocità alla velocità desiderata.
- Spingere o tirare il lato corretto della leva di comando dell'acceleratore.
- Il freno di sosta elettromeccanico si disinnesta automaticamente e lo scooter accelera dolcemente fino alla velocità preselezionata con il selettore apposito.
- Per sterzare a sinistra, tirare l'impugnatura sinistra del manubrio.
- Per sterzare a destra, tirare l'impugnatura destra del manubrio.
- Muovere il manubrio verso il centro per procedere dritto.
- Per fermarsi, rilasciare lentamente la leva di controllo dell'acceleratore. I freni elettronici si attivano automaticamente quando lo scooter si ferma.

**NOTA:** *La retromarcia dello scooter è più lenta della velocità in avanti preimpostata con il selettore apposito.*

### SCENDERE DALLO SCOOTER

1. Arrestare completamente lo scooter.
2. Estrarre la chiave dall'apposito interruttore.



**AVVERTENZA! Non cercare mai di salire o scendere dallo scooter senza prima avere estratto la chiave dall'apposito interruttore. Ciò previene il movimento dello scooter in caso di contatto accidentale con la leva di controllo dell'acceleratore.**

3. Sbloccare la leva di blocco del sedile e ruotare il sedile fino a quando l'utente guarda il lato dello scooter.
4. Accertarsi che il sedile sia bloccato nel suo alloggiamento.
5. Uscire con attenzione dal sedile e scendere a lato dello scooter.
6. Si può lasciare il sedile rivolto verso il lato per facilitare la salita successiva sullo scooter.

### FUNZIONE TIMER DI SPEGNIMENTO

Lo scooter è dotato di una funzione automatica di timer di spegnimento per il risparmio energetico che preserva la durata delle batterie. Se si lascia accidentalmente la chiave nell'interruttore in posizione "on" ma non si usa lo scooter per circa 20 minuti, la centralina dello scooter si spegne automaticamente. Anche con la centralina spenta, l'impianto luci dello scooter sarà funzionante.

Se la funzione di timer di spegnimento si attiva, eseguire le seguenti operazioni per tornare al normale funzionamento.

1. Estrarre la chiave dall'apposito interruttore.
2. Reinserire la chiave e accendere lo scooter.

# V. REGOLAZIONI DI COMODITÀ

## INCLINAZIONE DEL MANUBRIO (Vedere figura 1 o 6)

**AVVERTENZA!** Rimuovere la chiave dall'interruttore apposito prima di regolare il manubrio o il sedile. Non tentare mai di regolare il manubrio mentre lo scooter è in movimento.



**AVVERTENZA!** Prima di usare lo scooter, spingere e tirare il manubrio per accertarsi che il meccanismo di inclinazione del manubrio sia ben fissato. Controllare la manopola di regolazione del manubrio ed il meccanismo di inclinazione del manubrio per accertarsi che siano bloccati. Se il manubrio si muove, verificare che la manopola di regolazione del manubrio sia ben stretta.



**AVVERTENZA!** Non tentare di utilizzare la leva di regolazione del manubrio come freno a mano.

**NOTA:** Per abbassare completamente il manubrio a scopo di smontaggio o trasporto, è necessario prima rimuovere il sedile.

## REGOLAZIONE DELLO SPECCHIETTO

Per installare lo specchietto (vedere figura 1 o 6):

1. Stabilire su quale lato installare lo specchietto e rimuovere lo spinotto di gomma dalla parte superiore dell'impugnatura del manubrio.
2. Inserire l'estremità filettata del porta-specchietto nell'apertura e ruotarla in senso orario fino in fondo.
3. Se necessario, ruotare il dado in senso orario per fissare lo specchietto.

Per regolare lo specchietto:

1. Posizionarsi in posizione di guida da seduti rivolti in avanti.
2. Regolare lo specchietto a sinistra, destra, verso l'alto o il basso in modo da avere una buona visuale posteriore.

## REGOLAZIONE DELLO SCHIENALE



**AVVERTENZA!** Non usare lo scooter con lo schienale in posizione reclinata.

**AVVERTENZA!** Durante la regolazione dell'inclinazione, mantenere sempre la schiena appoggiata contro lo schienale.

Se lo scooter è dotato di uno schienale reclinabile, per regolare il sedile reclinabile dello scooter, osservare questi passaggi. Vedere figura 17.

1. Con la schiena appoggiata allo schienale, sollevare la leva di regolazione del sedile e inclinarsi in avanti o all'indietro per regolare l'inclinazione dello schienale.
2. Rilasciare la leva di regolazione dello schienale quando il sedile è in posizione comoda per la guida.

## ROTAZIONE DEL SEDILE

La leva di rotazione del sedile, ubicato sulla destra della base del sedile, può essere usata per bloccare il sedile in diverse posizioni.

1. Tirare verso l'esterno la leva di scorrimento del sedile. Vedere figura 17.
2. Ruotare il sedile nella posizione desiderata.
3. Rilasciare la leva per bloccare il sedile nella posizione desiderata.

### CODICE DI IDENTIFICAZIONE

1. LEVA INCLINAZIONE SCHIENALE
2. BASE SEDILE
3. SELETTORE DI REGOLAZIONE
4. LEVA SCORRIMENTO SEDILE
5. STAFFA ACCESSORIA
6. PERNO DI BLOCCO

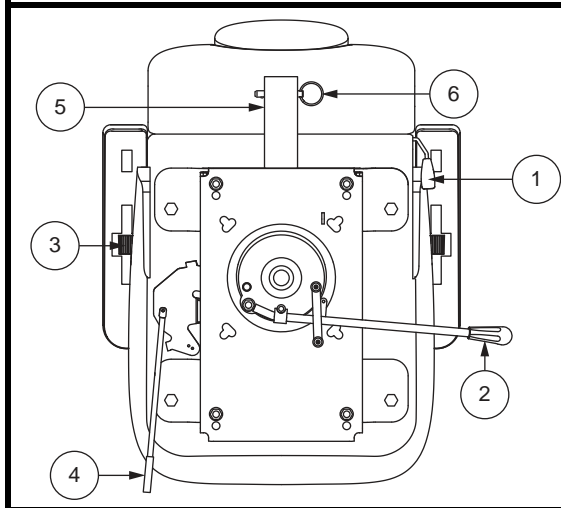


Figura 17. Regolazioni del sedile

## V. REGOLAZIONI DI COMODITÀ

### REGOLAZIONE INCLINAZIONE BRACCIOLO

L'inclinazione del bracciolo dello scooter è regolabile verso il basso o verso l'alto ruotando l'apposito selettore. **Vedere figura 17.**

**NOTA:** L'Utente può anche ribaltare i braccioli per salire e scendere più comodamente dallo scooter.

### DISTANZA SEDILE-MANUBRIO

A seconda della tipologia della seduta, tirare verso l'alto o spingere in avanti la leva sotto il sedile per poterlo sganciare.

1. Tirare verso l'esterno la leva scorrimento sedile (ubicata sul lato inferiore sinistro del sedile). **Vedere figura 17.**
2. Mantenendo la leva in questa posizione, far scorrere il sedile in avanti o all'indietro.
3. Trovata la posizione desiderata, rilasciare la leva scorrimento sedile; il sedile rimane nella posizione scelta.

### STAFFA ACCESSORIA

La staffa accessoria montata posteriormente consente di collegare un accessorio personale, come un cestino, un porta-deambulatore, o una bombola di ossigeno alla parte posteriore dello scooter. Utilizzare il perno di fermo per fissare in modo sicuro l'oggetto alla staffa accessoria. **Vedere figura 17.** Per dettagli rivolgersi al fornitore autorizzato.

### REGOLAZIONE DELL'ALTEZZA DEL SEDILE

È possibile posizionare il sedile ad altezze differenti. **Vedere figura 18.**

1. Rimuovere il sedile e la scocca posteriore.
2. Estrarre il bullone di regolazione dell'altezza del sedile.
3. Sollevare o abbassare il piantone del sedile superiore all'altezza desiderata per la seduta.
4. Mantenendo il piantone del sedile superiore a quell'altezza, allineare i fori di posizionamento del piantone superiore con quelli del piantone inferiore.
5. Inserire il bullone di regolazione dell'altezza del sedile attraverso i fori dei piantoni superiore e inferiore del sedile.
6. Reinstallare il dado sul bullone di regolazione dell'altezza del sedile e stringere.
7. Riposizionare il sedile e la scocca posteriore.

### CODICE DI IDENTIFICAZIONE

1. PIANTONE DEL SEDILE SUPERIORE
2. DADO
3. BULLONE REGOLAZIONE ALTEZZA
4. PIANTONE DEL SEDILE INFERIORE

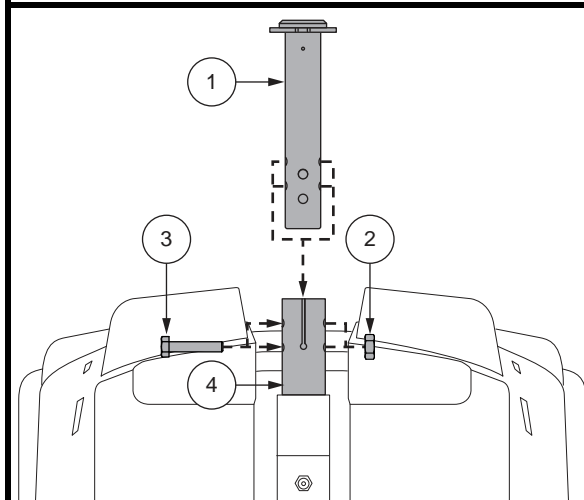


Figura 18. Regolazione altezza sedile

### CODICE DI IDENTIFICAZIONE

1. GOMMA
2. PIANTONE DEL SEDILE SUPERIORE
3. MOLLA  
portata massima: 0-90.72 kg  
90.72-181.44 kg
4. SPAZIATORE
5. BULLONE LATERALE 24 N • m
6. PIANTONE DEL SEDILE INFERIORE
7. RONDELLE
8. DADO

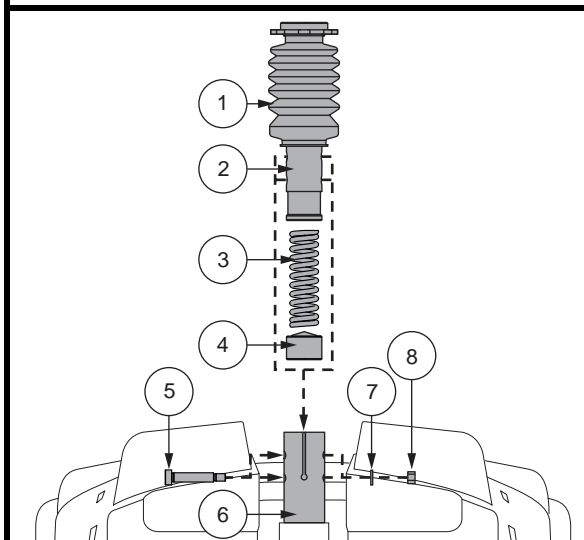


Figura 19. Regolazione altezza sedile - Asta Del Sedile



## V. REGOLAZIONI DI COMODITÀ

### REGOLAZIONE DELL'ALTEZZA DEL SEDILE - ASTA DEL SEDILE (SE IN DOTAZIONE)

Per riposizionare il sedile su una delle due diverse altezze:

1. Rimuovere il sedile dallo scooter. Tirare verso l'alto e tenere sollevata la leva di rotazione del sedile per sbloccarlo, quindi ruotare il sedile e sollevarlo dallo scooter.
2. Rimuovere la scocca posteriore.
3. Spingere verso l'alto la gomma dell'asta del sedile per scoprire le parti meccaniche.
4. Spingere in basso l'asta del sedile allentando e rimuovendo il bullone laterale, la rondella e il dado.  
**Vedere figura 19.**
5. Rimuovere la molla.
6. Per sollevare il sedile al massimo foro di montaggio, inserire lo spaziatore di regolazione dell'altezza. Per abbassare il sedile al minimo foro di montaggio, rimuovere lo spaziatore di regolazione dell'altezza.
7. Reinstallare la molla.
8. Tenere il sedile all'altezza desiderata e far combaciare i fori di posizionamento della torretta dell'asta del sedile con la fessura corrispondente. Utilizzare i fori superiori per la posizione più alta, oppure quelli inferiori per la posizione più bassa.

**NOTA:** *Quando il pistone del sedile è montato nella posizione più alta, dovete utilizzare due distanziatori.*

9. Abbassare l'asta del sedile, reinstallare le parti meccaniche e stringere 24 N • m.
10. Riposizionare il sedile e la scocca posteriore.

### REGOLAZIONE DELLA SOSPENSIONE DEL SEDILE (SE DISPONIBILE)

È possibile allentare o stringere la sospensione del sedile a seconda del tipo di molla installata.

Per regolare la sospensione del sedile:

1. Rimuovere il sedile dallo scooter. Tirare verso l'alto e tenere sollevata la leva di rotazione del sedile per sbloccarlo, quindi ruotare il sedile e sollevarlo dallo scooter.
2. Rimuovere la scocca posteriore.
3. Spingere verso l'alto la gomma dell'asta del sedile per scoprire le parti meccaniche.
4. Spingere in basso l'asta del sedile allentando e rimuovendo il bullone laterale, la rondella e il dado.
5. Rimuovere la molla installata.
6. Installare la molla desiderata. **Vedere la figura 19.**
7. Abbassare l'asta del sedile, reinstallare le parti meccaniche e stringere 24 N • m.
8. Riposizionare il sedile e la scocca posteriore.

### CINTURE DI SICUREZZA (OPZIONALE)

La seduta dello scooter può essere dotata di cinture di sicurezza regolabili. La cintura di sicurezza è stata progettata per garantire un maggiore supporto all'utente ed evitare che scivoli in avanti o indietro sulla seduta. La cintura di posizionamento non è concepita come dispositivo di contenimento.



**AVVERTENZA!** La cintura di posizionamento non è progettata per essere usata come la cintura di sicurezza di un veicolo a motore. Inoltre lo scooter non è idoneo per essere utilizzato come sedile in un veicolo. Chiunque viaggi in un veicolo deve essere legato correttamente con la cintura ai sedili approvati dal produttore del veicolo stesso.

**AVVERTENZA!** La cintura di posizionamento deve essere sempre ben fissata. Evitare che rimanga pendente o venga trascinato per terra in quanto potrebbe impigliarsi.

## V. REGOLAZIONI DI COMODITÀ

### Montaggio cinture di sicurezza (se richiesto):

1. Sollevare la seduta dallo scooter.
2. Posizionare la seduta a testa in giù per poter lavorare sulla base della seduta. **Vedere figura 20.**
3. Svitare i bulloni nella parte posteriore della seduta.
4. Infilare le apposite estremità delle cinture di sicurezza nei bulloni posteriori e reinserire i bulloni e la cintura sul sedile.
5. Stringere i bulloni.

### Cintura di sicurezza con aggancio metallico

#### Per regolare la comodità delle cinture di sicurezza:

1. Inserire il gancio metallico del lato destro della cintura nella chiusura di plastica al lato opposto spingendo fino a sentire un "click". **Vedere figura 21.**
2. Tirare la parte destra della cinghia per verificarne l'effettiva chiusura e bloccaggio, senza stringerla troppo.

#### Per rilasciare la cintura di posizionamento:

1. Premere il meccanismo a pulsante sull'alloggiamento di plastica.

### Cintura di sicurezza con gancio riutilizzabile e velcro

#### Per regolare la comodità delle cinture di sicurezza:

1. Allineare le due parti della cintura ponendo la parte con il velcro direttamente sopra il lato di adesione ("gancio") dell'altra parte. Premere per bloccare. **Vedere figura 21.**

#### Per rilasciare la cintura di posizionamento:

1. Afferrare la parte della cintura con il velcro e tirarla verso l'alto per staccarla dall'altra parte.

**OBBLIGATORIO! Verificare il corretto montaggio delle cinture di sicurezza sullo scooter e che siano regolate comodamente prima di ogni utilizzo.**



**OBBLIGATORIO! Prima di ogni utilizzo dello scooter, controllare che la cintura di sicurezza non presenti componenti allentate o danni, tra cui strappi, segni di usura, parti metalliche piegate, o meccanismi di chiusura danneggiati, sporchi o rotti. In caso di problemi, contattare il fornitore autorizzato per la manutenzione e riparazione.**

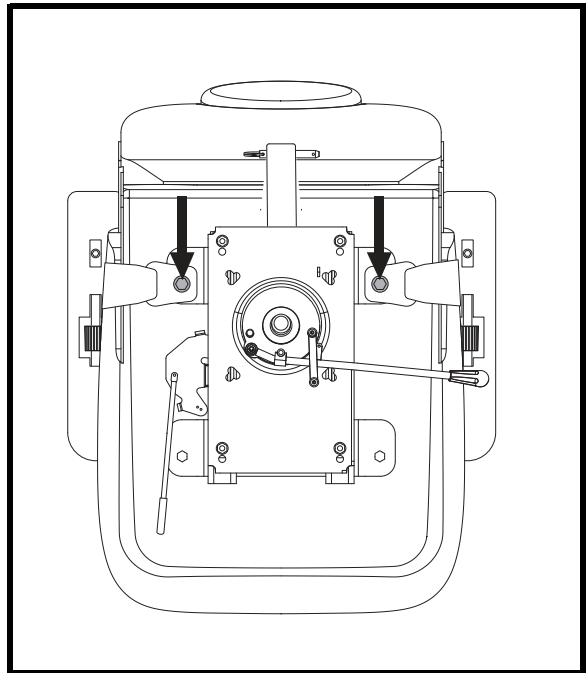


Figura 20. Bulloni per cinture di sicurezza

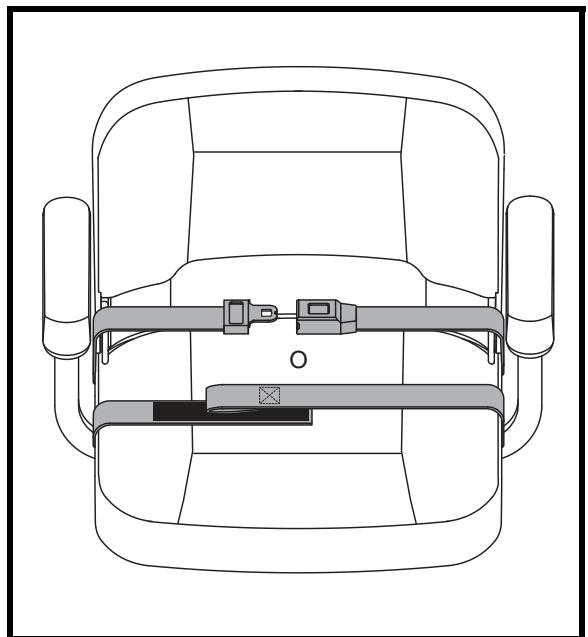


Figura 21. Cinture di sicurezza- Cintura di sicurezza con aggancio metallico o Cintura di sicurezza con gancio riutilizzabile e velcro

## VI. SMONTAGGIO E MONTAGGIO

**NOTA:** Controllare la tabella delle caratteristiche dello scooter all'inizio del presente manuale per determinare se il proprio modello può essere smontato ai fini del rimessaggio e del trasporto.

### SMONTAGGIO

È possibile smontare lo scooter in diversi pezzi: sedile, sezione posteriore, sezione anteriore, cestino, batterie e scocca posteriore. **Vedere figura 22.** Per montare o smontare lo scooter non sono necessari strumenti, tuttavia è opportuno ricordare che le parti smontate dello scooter richiedono più spazio rispetto a quando sono montate. Smontare o montare sempre lo scooter su una superficie uniforme e asciutta con spazio sufficiente per poter lavorare e muoversi — circa 1,5 metri in tutte le direzioni. Ricordare che alcune componenti dello scooter sono pesanti e può essere necessaria assistenza per sollevarle.



**AVVERTENZA!** Non sollevare pesi oltre la propria capacità fisica. Se necessario, richiedere assistenza prima di eseguire lo smontaggio dello scooter.

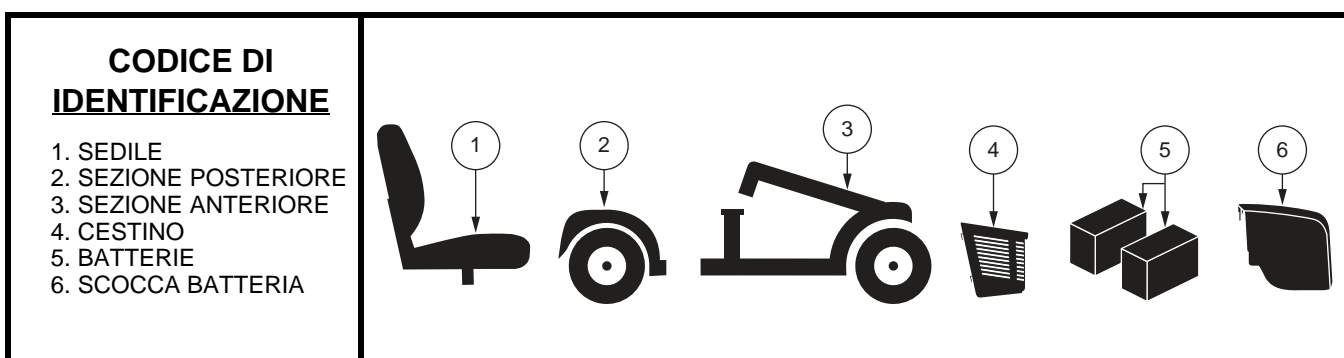


Figura 22. Scooter smontato

1. Rimuovere il sedile sollevandolo verso l'alto e togliendolo dallo scooter. In caso di difficoltà nella rimozione del sedile, disattivare la leva di rotazione del sedile e girare il sedile avanti e indietro mentre lo si solleva.
2. Tirare delicatamente la scocca della batteria in avanti, quindi sollevarla ed estrarla dallo scooter.
3. Scollegare la fascetta di fissaggio delle batterie.
4. Scollegare il cavo avanti/indietro.
5. Scollegare entrambi i cavi delle batterie premendo le linguette e poi sollevando ciascun cavo verso l'alto. **Vedere figura 14.**
6. Rimuovere le batterie dagli alloggiamenti.

**NOTA:** Se lo scooter è dotato di spessori per il fissaggio delle batterie, rimuoverli per sicurezza fino al successivo rimontaggio dello scooter. **Vedere figura 16.**



**AVVERTENZA!** Il mancato scollegamento dei due gruppi batteria, dei gruppi anteriore-posteriore prima della separazione delle sezioni anteriore e posteriore può causare danni permanenti allo scooter.

### Separazione telaio

1. Posizionare la(e) ruota(e) anteriore(i) perfettamente diritta(e) in avanti.
2. Abbassare il manubrio.

**NOTA:** Il manubrio è dotato di un meccanismo che blocca le ruote anteriori quando il manubrio è completamente abbassato e fissato.

## VI. SMONTAGGIO E MONTAGGIO

3. Sollevare la leva di rilascio del telaio.  
**Vedere figura 23.**
4. Ruotare all'indietro la sezione posteriore, fino a quando i ganci del telaio non sono più posati sul tubo del telaio inferiore.
5. Separare lentamente le due sezioni del scooter.

### MONTAGGIO

1. Posizionare sezione posteriore e sezione anteriore dello scooter come da **figura 23**.
2. Usare la leva di rilascio del telaio per sollevare la parte anteriore mentre si allineano i ganci del telaio della parte anteriore con il tubo del telaio inferiore della sezione posteriore.
3. Una volta che i ganci del telaio sono sopra il tubo del telaio inferiore, abbassare la sezione anteriore e ruotare contemporaneamente la sezione posteriore. Questa operazione aggancia automaticamente la chiusura del telaio.
4. Sollevare il manubrio.
5. Sollevare il cavo avanti/indietro.
6. Reinstallare gli spessori della batteria ove necessario. **Vedere figura 16.**
7. Reinstallare le batterie negli alloggiamenti.
8. Collegare correttamente tutti i morsetti delle batterie. **Vedere figura 14.**
9. Fissare la fascetta di fissaggio delle batterie.
10. Reinstallare la scocca della batteria.
11. Reinstallare il sedile e ruotarlo.

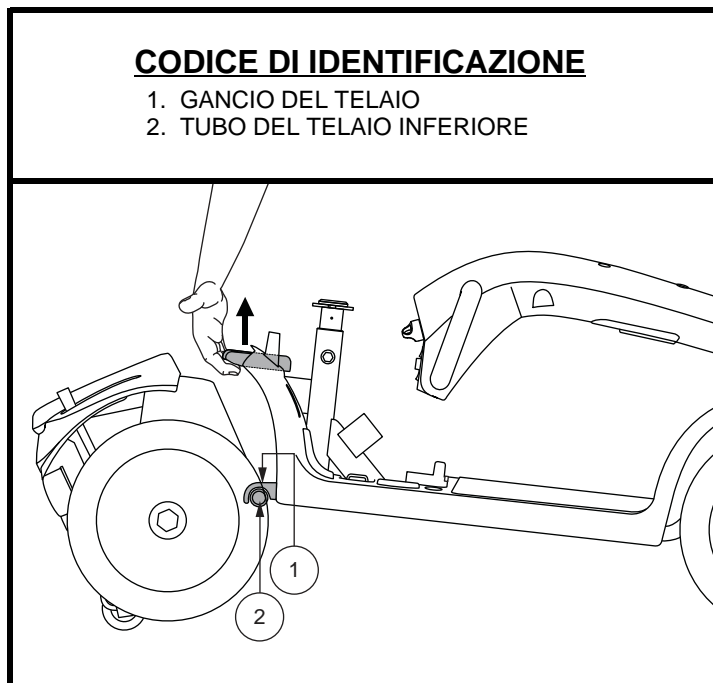


Figura 23. Leva di rilascio del telaio

## VII. RISOLUZIONE DEI PROBLEMI

Tutti i dispositivi elettromeccanici possono presentare problemi occasionali. Tuttavia la maggior parte dei problemi riscontrati può essere solitamente risolta con un pò di riflessione e di buon senso. Molti problemi si verificano perchè le batterie non sono completamente cariche oppure, essendo usurate, non mantengono più la carica.

### CODICI DI ERRORE DIAGNOSTICO

I codici di errore diagnostico dello scooter sono progettati per consentire una risoluzione semplice e rapida delle problematiche. Nel caso in cui si verifichi una delle condizioni elencate nella tabella due, viene visualizzato un codice diagnostico e un messaggio di errore. **Vedere figura 24 o 25.**

**NOTA:** *Lo scooter non funziona fino a quando non si risolve la condizione del codice di errore e lo scooter sia stato spento e poi riacceso.*

CODICE DI ERRORE	CONDIZIONE	SOLUZIONE
■ (1)	La batteria è quasi scarica.	Caricare le batterie appena possibile.
■ ■ (2)	La batteria è scarica.	Caricare le batterie.
■ ■ ■ (3)	La tensione della batteria dello scooter è troppo alta per il funzionamento dello scooter, oppure il caricatore è ancora collegato alla porta del caricatore.	Scollegare il caricatore e/o portare la chiave su off quindi nuovamente su on.
■ ■ ■ ■ (4)	Scooter acceso e inutilizzato.	Spegnere lo scooter per alcuni minuti, poi riaccendere lo scooter.
■ ■ ■ ■ ■ (5)	E' attiva la leva di sblocco ruote manuale	Estrarre la chiave dall'apposito interruttore, spingere la leva di sblocco ruote manuale in posizione di guida, quindi riattivare lo scooter.
■ ■ ■ ■ ■ ■ (6)	La leva dell'acceleratore non è in posizione centrale all'avvio.	Riportare la leva dell'acceleratore in posizione centrale, spegnere lo scooter, quindi riaccendere lo scooter.
■ ■ ■ ■ ■ ■ ■ (7)	Errore potenziometro di velocità.	Contattare il proprio rivenditore autorizzato per assistenza
■ ■ ■ ■ ■ ■ ■ ■ (8)	Errore volt motore.	Contattare il proprio rivenditore autorizzato per assistenza
■ ■ ■ ■ ■ ■ ■ ■ ■ (9)	Altri errori interni.	Contattare il proprio rivenditore autorizzato per assistenza

Figura 24. Modelli con console manubrio

### Tutte le funzionalità dello scooter sembrano “morte”.

- Verificare che la chiave sia in posizione “on”.
- Controllare che le batterie siano completamente cariche.
- Premere il pulsante di reset dell'interruttore principale. Vedere il paragrafo II. “Il Tuo Scooter”.
- Verificare che i due gruppi batteria e il gruppo anteriore-posteriore siano saldamente collegati.
- Verificare che la funzione di timer di spegnimento non sia stata attivata. Vedere il paragrafo V. “Utilizzo”.

## VII. RISOLUZIONE DEI PROBLEMI

CODICE DI ERRORE	CONDIZIONE	SOLUZIONE	MESSAGGIO ERRORE
1	È necessario ricaricare le batterie	Caricare le batterie appena possibile.	N/A
2	Bassa tensione, è necessario ricaricare immediatamente le batterie	Caricare le batterie appena possibile.	BAT SC
3	Sovra-tensione	Scollegare il caricatore e/o portare la chiave su off, quindi nuovamente su on.	BAT AV
4	Sovra-corrente	Spegnere lo scooter per alcuni minuti, poi riaccendere lo scooter.	ECCCO
5	Errore freno stazionamento	Estrarre la chiave dall'apposito interruttore, spingere la leva di sblocco ruote manuale in posizione di guida, quindi riattivare lo scooter.	FRE ST
6	La leva dell'acceleratore non è in posizione centrale all'avvio.	Riportare la leva dell'acceleratore in posizione centrale, spegnere lo scooter, quindi riaccendere lo scooter.	POT NC
7	Le leva dell'acceleratore è rotta o guasta	Contattare il proprio rivenditore autorizzato per assistenza.	POT D:
8	Errore motore	Contattare il proprio rivenditore autorizzato per assistenza.	MOTHS
9	Altri errori	Contattare il proprio rivenditore autorizzato per assistenza.	OTRO

Figura 25. Modelli con Pannello di Controllo LCD

### Perché lo scooter non si muove quando premo la leva dell'acceleratore?

- Quando la leva di sblocco ruote manuale è spinta in avanti, i freni sono disattivati e l'alimentazione al motore/differenziale è interrotta.
- Tirare indietro la leva di sblocco ruote manuale, spegnere il scooter e quindi riaccenderlo per tornare al normale funzionamento.

### L'interruttore di rete principale scatta ripetutamente.

- Se l'interruttore principale scatta ripetutamente consultare il proprio fornitore autorizzato per assistenza.
- Caricare le batterie dello scooter più frequentemente. Vedere il paragrafo III. "Batterie e ricarica".
- Se il problema persiste, fare eseguire un controllo della carica delle batterie dello scooter dal fornitore autorizzato.
- È anche possibile eseguire da soli il test di carica. Gli strumenti per il test di carica della batteria sono disponibili nei negozi specializzati per automobili. Seguire le indicazioni fornite con lo strumento di test di carica.
- Vedere il paragrafo III. "Batterie e ricarica" o "Foglio delle specifiche tecniche" per le informazioni sul tipo di batteria dello scooter.

### L'indicatore dello stato della batteria scende e il motore fa fatica quando si preme la leva di controllo dell'acceleratore.

- Ricaricare completamente le batterie dello scooter. Vedere il paragrafo III. "Batterie e ricarica".
- Far eseguire un test di carica di ciascuna batteria dal fornitore.
- Far riferimento al punto precedente sulla risoluzione dei guasti per eseguire il test di carica delle batterie.

In caso di problemi dello scooter irrisolvibili, contattare il fornitore autorizzato per informazioni, manutenzione e assistenza.

## VIII. CURA E MANUTENZIONE

Lo scooter richiede cura e manutenzione minime. Nel caso in cui l'utente non si senta in grado di eseguire le operazioni di manutenzione elencate di seguito, può programmare la verifica e la manutenzione con il proprio rivenditore autorizzato. Le voci di seguito elencate richiedono verifica e/o cura e manutenzione periodiche.

### PRESSIONE DELLE GOMME

- Se lo scooter è dotato di ruote pneumatiche, verificare che i pneumatici siano gonfiati secondo il valore in psi/bar/kPa indicato su ciascun pneumatico.



**AVVERTENZA! È importante rispettare sempre il valore della pressione dell'aria in bar/psi/kPa indicato sul pneumatico. Non gonfiare i pneumatici troppo o troppo poco. La pressione bassa può comportare la perdita del controllo e i pneumatici troppo gonfi possono scoppiare. Il mancato mantenimento del valore della pressione dell'aria in psi/bar/kPa indicato sui pneumatici può causare il guasto del pneumatico e/o della ruota.**

- Ispezionare regolarmente i pneumatici dello scooter per segni di usura.

### SUPERFICI ESTERNE

L'occasionale applicazione di un balsamo per plastica o gomma può essere vantaggiosa per paraurti, gomme e bordo.



**AVVERTENZA! Non usare il balsamo per gomma o plastica sul sedile dello scooter o sul battistrada. Possono diventare pericolosamente scivolosi.**

### PULIZIA E DISINFEZIONE

- Usare un panno umido e un detergente neutro e non abrasivo per pulire le parti di plastica e metallo dello scooter. Evitare l'uso di prodotti che possono graffiare la superficie dello scooter.
- Se necessario, pulire l'ausilio con un disinfettante approvato. Verificare che il disinfettante sia sicuro per l'uso prima dell'applicazione.



**AVVERTENZA! Seguire tutte le istruzioni di sicurezza per l'uso idoneo del disinfettante prima di applicarlo all'ausilio. La mancata osservanza può causare un deterioramento prematuro dell'imbottitura e/o delle vernici dello scooter.**

### CONNETTORI TERMINALI BATTERIE

- Accertarsi che i connettori siano ben saldi e privi di corrosione.
- Le batterie devono essere posizionate in piano negli appositi alloggiamenti.
- I terminali delle batterie devono essere posizionati verso la parte esterna dello scooter.

### CABLAGGIO

- Controllare regolarmente tutti i collegamenti elettrici.
- Controllare regolarmente gli isolamenti elettrici per usura o danni, compreso il cavo di alimentazione del caricabatterie.
- Fare eseguire le riparazioni o le sostituzioni di qualsiasi connettore danneggiato, collegamento o isolamento dal proprio fornitore autorizzato prima di riutilizzare lo scooter.



**PROIBITO! Anche se lo scooter ha superato i test richiesti, tenere le connessioni elettriche lontane da esposizione diretta all'acqua o corpi liquidi e incontinenze. Controllare con una certa frequenza le componenti elettriche per eventuali segni di corrosione e conseguenti sostituzioni dove necessario.**



**AVVERTENZA! Non tirare direttamente i cavi elettrici per staccarli dallo scooter. Afferrare sempre il connettore quando si scollegano i cavi, onde evitare danni.**

## VIII. CURA E MANUTENZIONE

### SOSTITUZIONE DELLE RUOTE

Se lo scooter è dotato di ruote pneumatiche e una ruota è sgonfia, è possibile sostituire la camera d'aria. Contattare il vostro rivenditore per informazioni relative alla sostituzione delle ruote del Vostro scooter.

**AVVERTENZA! Le ruote dello scooter devono essere mantenute/sostituite esclusivamente da un tecnico qualificato.**



**AVVERTENZA! Accertarsi che la chiave sia stata rimossa dall'interruttore e che lo scooter non sia in modalità di sblocco ruote prima di eseguire questa procedura.**

**AVVERTENZA! Per cambiare una ruota pneumatica, sgonfiare COMPLETAMENTE il pneumatico prima di rimuovere la ruota per evitare che esploda.**

In caso di necessità di sostituzione dei pneumatici, seguire attentamente le indicazioni:

1. Rimuovere la chiave di accensione dall'interruttore e verificare che lo scooter non sia in modalità di sblocco ruote.
2. Sollevare il lato dello scooter dal quale si deve rimuovere il pneumatico. Posizionare dei blocchi di legno sotto il telaio per sollevare lo scooter.
3. Per sostituire un pneumatico, sgonfiarlo **completamente** prima di rimuovere la ruota.
4. Rimuovere i dadi ad aletta. **Vedere figura 26.**
5. Sfilare la ruota dall'assale.
6. Rimuovere le viti che fissano i cerchi. **Vedere figura 27.**
7. Rimuovere la vecchia camera d'aria dal pneumatico e sostituirla con una nuova.
8. Avvitare insieme i cerchi.
9. Inserire la nuova ruota sull'asse.
10. Reinstallare i dadi ad aletta e verificare che siano stretti in modo adeguato.



**AVVERTENZA! Assicurarsi che i dadi siano serrati e reinstallati correttamente.**

11. Gonfiare i pneumatici secondo il valore in psi/bar/kPa indicato su ciascun pneumatico.
12. Rimuovere i blocchi di legno da sotto lo scooter.

### CODICE DI IDENTIFICAZIONE

1. DADI AD ALETTA
2. RUOTE
3. MOZZO

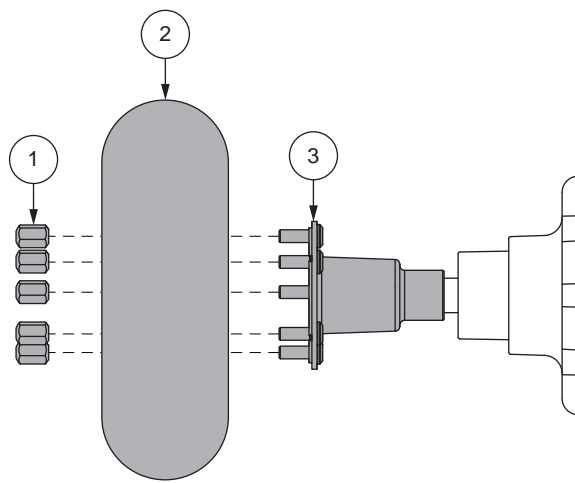


Figura 26. Ruota motrice smontata

### CODICE DI IDENTIFICAZIONE

1. CERCHIONE ANTERIORE
2. CAMERA D'ARIA
3. COPERTONE
4. CERCHIONE POSTERIORE
5. VITI

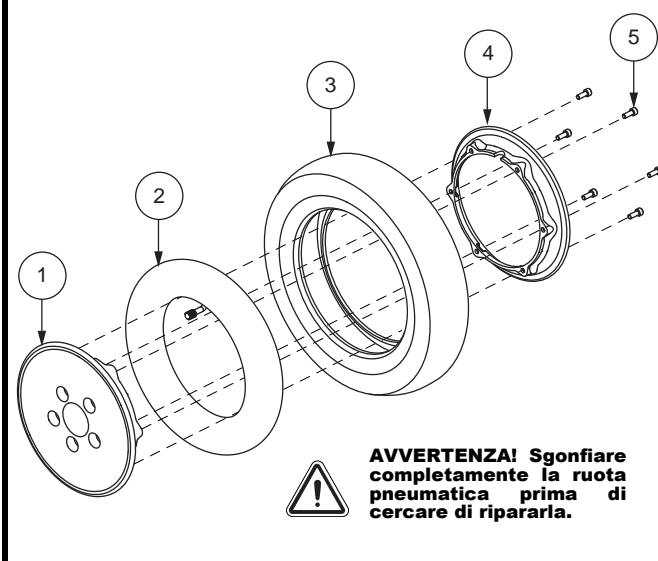


Figura 27. Ruota pneumatica motrice smontaggio/montaggio



## VIII. CURA E MANUTENZIONE

### SCOCHE IN PLASTICA ABS

- Le scocche sono realizzate in plastica ABS resistente e sono rivestite con vernice di uretano di formula avanzata.
- Una leggera applicazione di cera per auto mantiene la lucentezza delle scocche.

### SUPPORTI ASSE E GRUPPO MOTORE/DIFFERENZIALE

Questi elementi sono prelubrificati, sigillati e non richiedono alcuna lubrificazione successiva.

### SPAZZOLE MOTORE

Le spazzole motore sono alloggiato all'interno del gruppo motore/differenziale. Devono essere periodicamente ispezionate per usura dal rivenditore autorizzato.

### CONSOLE, CARICABATTERIE E COMPONENTI ELETTRONICI POSTERIORI

- Mantenere queste aree libere da umidità.
- Lasciare asciugare completamente queste aree se sono state esposte a umidità prima di usare nuovamente lo scooter.

### CUSCINETTI DEI FRENI

Ispezionare periodicamente i cuscinetti dei freni dello scooter per verificarne l'usura. Quando i cuscinetti raggiungono uno spessore di 2mm o 1/16 di pollice, è necessario sostituirli. È necessario sostituire tutti i cuscinetti dei freni contemporaneamente. Per maggiori informazioni sulla sostituzione dei cuscinetti dei freni, contattare il rivenditore autorizzato.

### SOSTITUZIONE FUSIBILI

#### Per controllare un fusibile:

1. Rimuovere il fusibile estraendolo dal suo alloggiamento.
2. Esaminare il fusibile per accertarsi che sia bruciato. **Vedere figura 28.**
3. Inserire un nuovo fusibile della stessa frequenza.



**AVVERTENZA! La frequenza del fusibile di ricambio deve corrispondere esattamente a quella del vecchio. La mancata osservanza di questa direttiva può causare danni al sistema elettrico.**

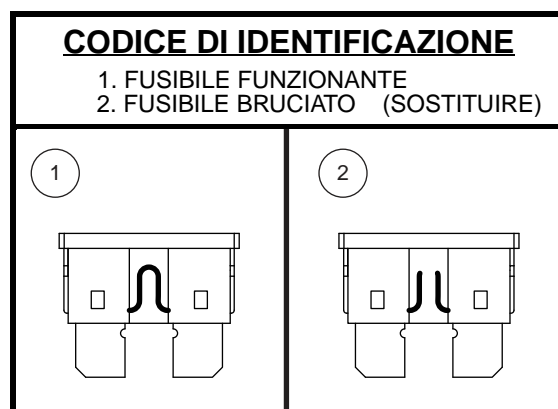


Figura 28. Sostituzione del fusibile

## VIII. CURA E MANUTENZIONE

### SOSTITUZIONE DEL DADO DI BLOCCO IN NYLON

Tutte le guarnizioni dei dadi di sicurezza rimosse durante lo smontaggio o il controllo del scooter dovranno essere sostituite con nuove guarnizioni. Le guarnizioni dei dadi di sicurezza non dovranno essere riutilizzate in quanto potrebbero causare danni e comportare un utilizzo meno sicuro del mezzo. Le guarnizioni dei dadi di sicurezza sono in vendita nei negozi di ferramenta o presso i Vostri Rivenditori autorizzati.

### CONSERVAZIONE DELLO SCOOTER

Se si prevede di non utilizzare il scooter per un lungo periodo di tempo, è consigliabile:

- Caricare completamente le batterie prima del rimessaggio.
- Scollegare le batterie dallo scooter.
- Conservare lo scooter in un ambiente caldo e asciutto.
- Evitare di conservare lo scooter in luoghi dove può essere esposto a temperature estreme.
- Temperatura di conservazione consigliata: da -40°C/-40°F a 65°C/149°F.



**AVVERTENZA! Proteggere sempre le batterie dal congelamento e non caricare mai una batteria congelata. Ciò danneggia la batteria.**

Le batterie scaricate a fondo regolarmente e caricate di rado, conservate a temperature estreme, o conservate senza effettuare ricariche complete, possono essere danneggiate in maniera permanente, con conseguente inaffidabilità e limitata durabilità. Si raccomanda di caricare le batterie periodicamente in caso di rimessaggio prolungato per garantire prestazioni adeguate.

In caso di rimessaggio prolungato, è consigliabile posizionare delle tavole sotto il telaio dello scooter per sollevarlo da terra. Ciò libera i pneumatici dal peso e riduce la possibilità di formazione di punti piatti nelle aree di contatto dei pneumatici con il suolo.

### SMALTIMENTO DELLO SCOOTER

Lo scooter deve essere smaltito in conformità con quanto previsto dalle leggi e dalle normative locali e nazionali in vigore. Contattare l'ente locale per lo smaltimento dei rifiuti oppure il rivenditore autorizzato per le informazioni sul corretto smaltimento dei materiali di imballo dello scooter, delle componenti metalliche del telaio, delle componenti di plastica, della parte elettronica, delle batterie, neoprene, silicone, e materiali di poliuretano.



MONTAJE



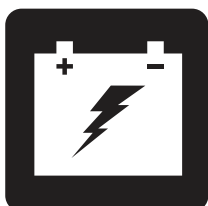
FUNCIONAMIENTO



CONFORT



MANTENIMIENTO



BATERÍAS Y SU CARGA



# SERIE DE SCOOTERS GRANDE

MANUAL DE USUARIO

---

# CUADRO DE CARACTERÍSTICAS GENERALES

Modelo	Consola del Manillar		Estilo Chasis (montage/Desmontage)		Ruedas Antivuelco	Opciones*			Disyuntor principal (Tipo)		
	A	B	Chasis de 1 pieza	Chasis de 2 piezas	Incluido	Botón Alta-Baja	Freno de Mano	Suspensión del asiento	Botón de Reinicio	Palanca de Reinicio	Reinicio Automático
											
613	•	•		•	•	•	•	•	•		
614	•	•	•		•	•				•	•
713	•	•		•	•	•	•	•	•		
714	•	•	•			•	•			•	•

*\*NOTA: Las opciones del scooter pueden variar en función del país. Póngase en contacto con su proveedor para determinar las opciones disponibles para su scooter.*

*NOTA: Intente memorizar el número de modelo de su scooter, que podrá encontrar en la hoja de especificaciones del producto incluida en el paquete. A lo largo de este manual de usuario, las características del scooter aparecen identificadas con un número de modelo (primera columna de la izquierda del Cuadro de Características Generales). Al conocer el número de modelo de su unidad podrá determinar las características particulares y exclusivas de su scooter.*

## USO INDICADO

El uso indicado del vehículo scooter es facilitar la movilidad de personas confinadas a una silla de ruedas pero con capacidad para manejar un scooter.

## CON RESPECTO A LOS DISPOSITIVOS RECETADOS



**¡ATENCIÓN!** La ley federal limita a este dispositivo a su venta por parte de o por orden de un médico u otro profesional certificado y que cuente con licencia de la ley del estado (sólo en los EE.UU.) o de la región en donde ejerce este profesional para usar u ordenar el uso de este dispositivo.

*NOTA: El presente manual de instrucciones recoge las últimas especificaciones e informaciones disponibles en el momento de su publicación. Nos reservamos el derecho a aportar modificaciones en caso necesario. Cualquier modificación en nuestros productos puede provocar ligeras variaciones entre las ilustraciones y explicaciones de esta guía y el producto que ha comprado. En nuestro sitio web encontrará la versión última/actual de este manual.*

*NOTA: Este producto cumple las directivas y normativas WEEE, RoHS y REACH.*

*NOTA: Este producto cumple con la clasificación IPX4 (IEC 60529).*

*NOTA: Ni scooter ni sus componentes están fabricados con látex de goma natural. Consulte al fabricante con respecto a cualquier accesorio o pieza de repuesto.*



# ÍNDICE

<b>CONSIGNAS DE SEGURIDAD</b> .....	205
<b>I. SEGURIDAD</b> .....	206
<b>II. SU SCOOTER</b> .....	209
<b>III. BATERÍAS Y SU CARGA</b> .....	222
<b>IV. FUNCIONAMIENTO</b> .....	229
<b>V. OPTIMIZAR EL CONFORT</b> .....	231
<b>VI. DESMONTAJE/MONTAJE</b> .....	236
<b>VII. RESOLUCIÓN DE PROBLEMAS</b> .....	238
<b>VIII. CUIDADO Y MANTENIMIENTO</b> .....	240

## CONSIGNAS DE SEGURIDAD



**¡ADVERTENCIA!** Un proveedor autorizado o un técnico cualificado deberá realizar la configuración inicial del scooter, así como cualquier otro procedimiento de este manual.

Los símbolos que se muestran a continuación son utilizados en este manual y en el scooter para identificar advertencias y avisos importantes. Asegúrese de que los ha leído y comprendido perfectamente.



**¡ADVERTENCIA!** Indica una situación o circunstancia potencialmente peligrosa. De no seguir los procedimientos indicados, podría provocar en usted o en terceros lesiones físicas, y daños o averías en el material. En el producto, este icono tiene forma de símbolo negro en un triángulo amarillo con borde negro.



**¡OBLIGATORIO!** Pasos que deben realizarse tal y como se indica. De no realizar las acciones obligatorias, podría sufrir lesiones y/o daños en el material. En el producto, este icono tiene forma de símbolo blanco sobre un círculo azul con borde blanco.



**¡PROHIBIDO!** Estas acciones están prohibidas, cualquiera que sea el tiempo o las circunstancias. La realización de acciones prohibidas puede provocar lesiones personales o daños en el material. En el producto, este icono tiene forma de símbolo negro con un círculo y raya rojos.

# I. SEGURIDAD

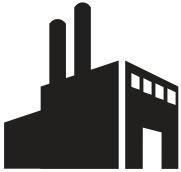
## SÍMBOLOS DE SEGURIDAD

Estos símbolos aparecen en su scooter y sirven para identificar advertencias, acciones obligatorias o prohibidas. Asegúrese de que los ha leído y comprendido perfectamente.

**NOTA:** En la *Guía de Seguridad del Usuario* suministrada con su scooter encontrará la explicación de otras advertencias de uso. Familiarícese con todas las advertencias de uso y otra información de seguridad indicadas en la *Guía de Seguridad del Usuario* y remítase regularmente a esta fuente.



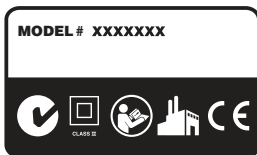
**Lea con atención la información del manual de usuario.**



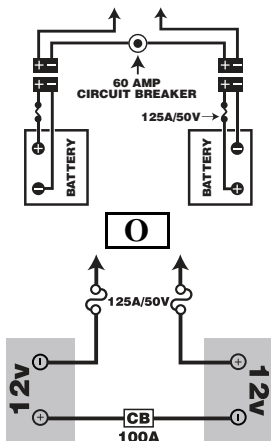
**Fabricado en.**



**Indica los puntos de amarre del Scooter.**



**Etiqueta de información del Scooter.**



**Configuración de las baterías:**

**+ = Borne o terminal positivo (rojo)**

**- = Borne o terminal negativo (negro)**

**Conexión del cable rojo al borne positivo rojo (+).**

**Conexión del cable negro al borne negativo negro (-).**

# I. SEGURIDAD

## GENERAL



**¡OBLIGATORIO! Antes de utilizar su scooter por primera vez, lea y siga todas las instrucciones de este manual y de la Guía de Seguridad del Usuario.**

Este scooter es un dispositivo que incorpora las últimas tecnologías tendentes a aumentar su movilidad. Nos ofrecemos una amplia gama de productos ajustados a sus necesidades particulares. Recuerde que la decisión final acerca de la compra de un determinado tipo de scooter es responsabilidad exclusiva del usuario de dicho scooter, capaz de tomar tal decisión, y de su profesional sanitario (por ej. médico, terapeuta, etc.).

El contenido de este manual está supeditado a los ajustes realizados por un experto en tales dispositivos para adaptarlo al usuario, habiendo asistido al profesional sanitario prescriptor o al proveedor autorizado en lo que respecta a la asistencia para la utilización de este producto.

Existen determinadas situaciones, como algunas enfermedades, para las que será obligatoria la presencia de una persona debidamente cualificada durante el manejo del scooter. Esta persona encargada podrá ser un miembro de la familia o un asistente sanitario especialmente preparado para ayudarle en las tareas diarias que realice mientras utiliza el scooter.

Al empezar a utilizar el scooter, probablemente se encuentre con situaciones para las que necesite una mayor práctica. Tómese el tiempo necesario. Pronto sentirá una mayor confianza y control en el manejo a través de puertas, al girar en curvas o al entrar o salir de ascensores, rampas o en superficies irregulares.

El producto viene con otra información de carácter general, hojas de datos técnicos y otros folletos comerciales. Lea detenidamente y revise toda la información y guárdela en un lugar seguro para consultas futuras.

Seguidamente, se muestran algunas precauciones, trucos y otras consignas de seguridad que le ayudarán a familiarizarse con el funcionamiento de su scooter.

## INSPECCIÓN DE SEGURIDAD PREVIA

Familiarícese con su scooter y sus funciones. Recomendamos que realice una inspección previa de seguridad para confirmar que su scooter funciona de manera correcta y segura.

### Antes de utilizar el scooter, inspeccione lo siguiente:

- Verifique el estado de las ruedas. Asegúrese de que no estén dañadas ni demasiado gastadas.
- Compruebe todas las conexiones eléctricas. Asegúrese de que estén tensas y sin corrosión.
- Compruebe todas las conexiones del regulador al panel eléctrico. Asegúrese de que estén bien tensadas.
- Compruebe los frenos y asegúrese de que funcionen correctamente.
- Compruebe el indicador de nivel de batería para asegurarse de que las baterías estén totalmente cargadas.
- Compruebe que la palanca manual está en el modo conducción antes de sentarse en el scooter.

Si encuentra algún problema, póngase en contacto con su proveedor autorizado. Consulte la hoja de información de contacto suministrada con el producto.

# I. SEGURIDAD

## INFORMACIÓN ACERCA DE LOS FRENOS

Su scooter está equipado con estos potentes sistemas de frenado:

- Regenerativo: utiliza la electricidad para ralentizar rápidamente el vehículo cuando la palanca de mando vuelve a su posición central.
- Frenos de disco de estacionamiento: se activan mecánicamente una vez que los frenos regenerativos han reducido la velocidad del vehículo, o cuando falta la alimentación del sistema, independientemente del motivo.
- (Opcional) Freno de mano: Esta palanca le proporciona la potencia para una detención de emergencia. Consulte II. "Su Scooter."

## PALANCA DE FRENO DE MANO (OPCIONAL — MODELOS 613, 713 Y 714)

La palanca de freno de mano contiene fluido hidráulico. Cuando la palanca está activada, el fluido es empujado a través de la línea de freno para acoplar las pastillas de freno con los discos de freno. La palanca del freno de mano es una unidad completamente sellada, lo que significa que el fluido hidráulico no presenta fugas, sin embargo, se deben tomar ciertas medidas de seguridad en caso que la palanca del freno de mano se agriete o se rompa.

- No toque el material derramado a menos que use el equipo de protección, tal como las gafas de seguridad y guantes.
- Para pequeños derrames, cubra el material con tierra seca, arena u otro material absorbente no combustible. Una vez absorbido, coloque el material en una bolsa de plástico y póngase en contacto con su agencia local de eliminación de residuos para que le informen las medidas adecuadas a tal fin. No exponga el material a cursos de agua o alcantarillas.
- Si sus ojos están expuestos, busque y retire las lentes de contacto. Lave sus ojos con agua fría, limpia, y a baja presión mientras se levantan y bajan los párpados. Busque atención médica si persiste el lagrimeo, el enrojecimiento o el dolor.
- Si la piel está expuesta, quítese la ropa contaminada. Limpie el exceso de material y lave la piel expuesta con agua y jabón. Busque atención médica si la piel parece haber sufrido daños o si la irritación persiste. Lavar minuciosamente la ropa contaminada antes de volverla a usar. Deseche los artículos de cuero contaminados.
- Si es ingerido ingiere, no induzca el vómito ni dé nada de beber a menos que lo indique un médico. Administre nada por vía oral a una persona que no esté completamente consciente. Busque atención médica de inmediato.
- Si es inhalado, traslade a la persona afectada a un lugar con aire fresco. Si la persona afectada no respira, comience inmediatamente la respiración boca a boca. Si la respiración es difícil, una persona calificada deberá administrar oxígeno 100% humidificado por. Busque atención médica de inmediato y mantenga a la persona afectada abrigada y en reposo.
- Si se inflama, utilizar polvo químico, espuma, dióxido de carbono o niebla de agua para su extinción.

**¡ADVERTENCIA! No modifique la palanca del freno de mano ni intente reemplazar el líquido hidráulico. Si se daña, siga las instrucciones de seguridad en este apartado y contáctese con su distribuidor autorizado para realizar la sustitución del freno de mano. El freno de mano hidráulico sólo debe ser reparado o reemplazado por un distribuidor autorizado.**



**¡ADVERTENCIA! El freno de mano contiene fluido hidráulico que puede causar irritación dermatológica, ocular y nasal / bronquial leve. No intente ajustar o reparar el freno de mano sin el equipo de protección adecuado, tal como lo son las gafas de seguridad y los guantes. Lávese las manos después de manipularlo.**



## II. SU SCOOTER

### CONSOLA DEL MANILLAR

En la consola del manillar están ubicados todos los controles necesarios para manejar el scooter: regulador de velocidad, cerradura de contacto, indicador de batería, estado y claxon, intermitentes de dirección es palanca aceleradora. Tenga en cuenta que algunas de las características que figuran en esta sección son artículos opcionales y pueden no estar presentes en su scooter (**fig. 1**).

**NOTA:** Si su scooter está equipado con un panel de control de LCD, por favor pase a la página de esta sección que comienza con el título **CONSOLA DEL TIMÓN: PANEL DE CONTROL LCD**.



**¡PROHIBIDO!** No deje que la consola se humedezca. Si la consola estuviera humedecida, espere hasta que se seque completamente antes de manejar el Scooter.

### CLAVES DE IDENTIFICACIÓN

- |                            |                                       |
|----------------------------|---------------------------------------|
| 1. CLAXON                  | 8. REGULADOR DE VELOCIDAD             |
| 2. *INTERMITENTE IZQUIERDO | 9. INDICADOR DE BATERIA               |
| 3. *LUCES DE PELIGRO       | 10. CERRADURA DE CONTACT              |
| 4. LUCES DE CONDUCCIÓN     | 11. RETROVISOR Y TAPÓN DEL RETROVISOR |
| 5. *INTERMITENTE DERECHO   | 12. PALANCA DE AJUSTE DEL MANILLAR    |
| 6. *INTERRUPTOR MÁX-MÍN    | 13. *PALANCA DE FRENO DE MANO         |
| 7. PALANCA ACELERADORA     | 14. BLOQUEO DE FRENOS                 |

\*COMPONENTES OPCIONALES

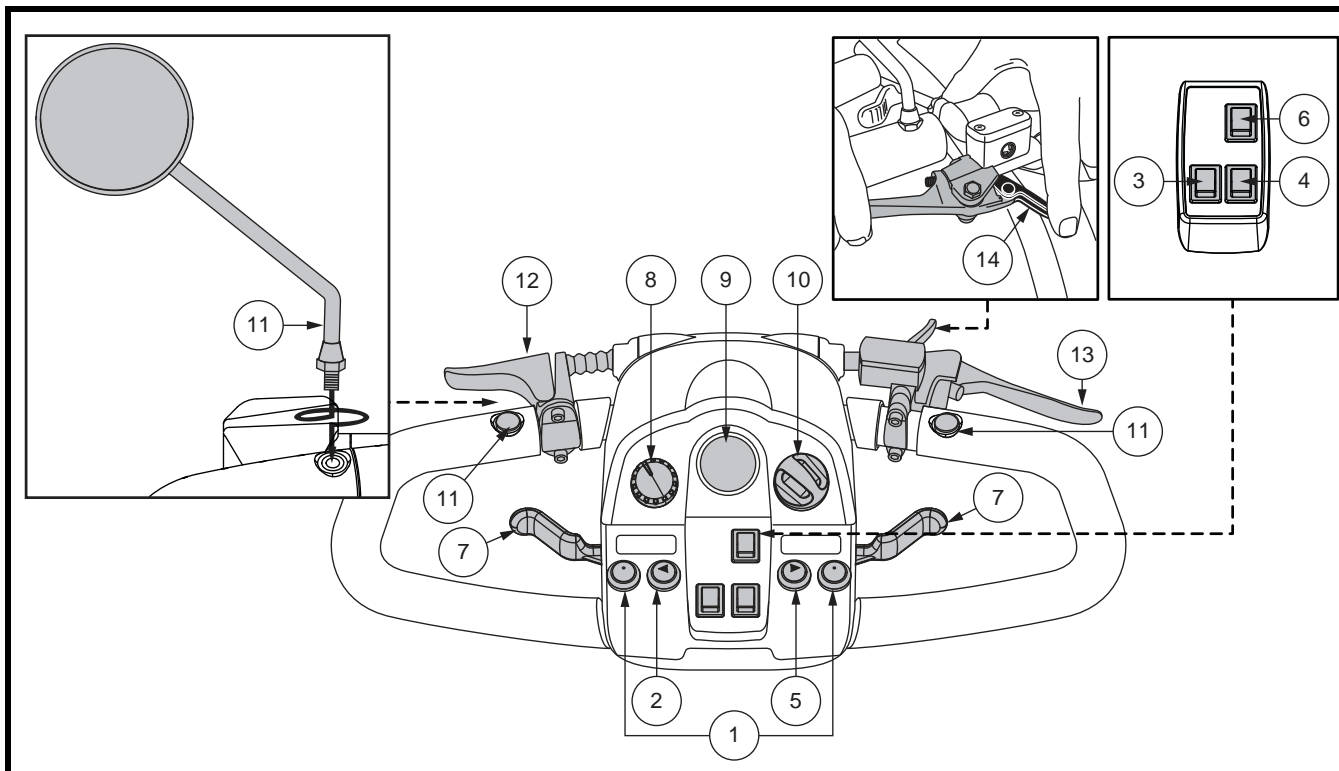


Figura 1. Consola del manillar - Estilo A

## II. SU SCOOTER

### Claxon

Activa el claxon de advertencia. El claxon sólo funcionará con el scooter encendido. No dude en utilizar el claxon como señal de advertencia ante cualquier riesgo de accidente o lesión.

### Intermitentes de dirección

Use estos botones para encender los intermitentes derecho e izquierdo (luces ámbar).

- Pulse el botón izquierdo para activar el intermitente izquierdo. Se encenderá el piloto LED del intermitente situado en el indicador de batería.
- Pulse el botón derecho para activar el intermitente derecho. Se encenderá el piloto LED del intermitente situado en el indicador de batería.
- Los intermitentes están programados para apagarse automáticamente.

### Interruptor de iluminación

Este interruptor controla el sistema de luces del scooter.

- Deslice el interruptor hacia delante para encender las luces.
- Deslice el interruptor hacia atrás para apagar las luces.



**¡ADVERTENCIA! Encienda las luces de su scooter cuando la visibilidad sea insuficiente (sea de día o de noche).**

### Luces de Peligro

Este interruptor activa los intermitentes traseros del scooter.

- Deslice el interruptor hacia delante para encender las luces.
- Deslice el interruptor hacia atrás para apagar las luces.

### Interruptor máx-mín

Sirve para ajustar la velocidad máxima (HI) y mínima (LOW) del scooter. Mueva el interruptor hacia adelante (Alta) para lograr la máxima velocidad preprogramada para el scooter. Mueva el interruptor hacia atrás (Baja) para alcanzar la mitad de la velocidad máxima preprogramada del scooter.

### Palanca aceleradora

Con esta palanca podrá controlar la velocidad marcha adelante y atrás del scooter, dentro de los límites fijados por usted con el regulador de velocidad.

#### Para moverse hacia delante tiene dos opciones:

- Presione con el pulgar izquierdo la palanca aceleradora izquierda.
- Tire con los dedos de la mano derecha de la palanca aceleradora derecha.

#### Para moverse marcha atrás tiene dos opciones:

- Presione con el pulgar derecho la palanca aceleradora derecha.
- Tire con los dedos de la mano izquierda de la palanca aceleradora izquierda.

Suelte la palanca aceleradora hasta que el scooter se detenga completamente antes de activar el otro lado de la palanca. Al soltar la palanca aceleradora, ésta vuelve automáticamente a la posición central de “stop”, activando los frenos del scooter.

### Regulador de velocidad

Esta ruedecilla permite preseleccionar y limitar la velocidad máxima del scooter.

- La imagen de la **tortuga** representa el valor de velocidad mínimo.
- La imagen de la **liebre** representa el valor de velocidad máximo.

## II. SU SCOOTER

### Indicador del nivel de batería

Cuando la llave está introducida totalmente en la cerradura de contacto y girada en sentido de las agujas del reloj para encender el scooter, este indicador muestra el nivel aproximado de las baterías. Para obtener más información sobre el indicador de batería, consulte III, "Baterías y su carga".

### Piloto de estado

El piloto de estado le informará sobre los problemas eléctricos que pudieran aparecer en su scooter. El piloto permanecerá siempre iluminado con el scooter encendido. Si ocurriese alguna incidencia eléctrica, este piloto emitiría un código de destellos (Capítulo VII, "Resolución de problemas básicos").

### Cerradura de contacto

- Introduzca la llave en la cerradura de contacto y gírela en sentido horario para encender el scooter.
- Gírela en sentido contrario a las agujas del reloj para apagar el scooter.



**¡ADVERTENCIA! Si mueve la llave a la posición "off" con el scooter en movimiento, activará los frenos electrónicos y el scooter se detendrá bruscamente.**

### Posicionamiento y ajuste del espejo

Para obtener información sobre la posición y el ajuste de su espejo, consulte V. "Optimización de la Comodidad".

### Ajuste del ángulo del manillar

Para obtener información sobre la posición y el ajuste de su ángulo del manillar, consulte V. "Optimización de la Comodidad".

### Palanca del freno de mano

Esta palanca le proporciona la potencia para una detención de emergencia. Cuando está en movimiento, suelte la palanca de control del acelerador y apriete suavemente la palanca del freno de mano para detenerse.

El freno de mano se puede bloquear y se utiliza como freno para estacionamiento apretando completamente la palanca de freno de mano y colocándolo en la posición de bloqueo (**fig. 1**). Para liberar el bloqueo del freno, apriete completamente el freno de mano.



**¡ADVERTENCIA! El freno de mano está diseñado para ser utilizado sólo como freno de emergencia y / o como freno de estacionamiento.**

### Toma de alimentación del cargador

El cable de alimentación del cargador externo se enchufa en esta toma para cargar las baterías. El puerto del cargador externo estará ubicado en el timón (**fig. 2**).

### CLAVES DE IDENTIFICACIÓN

1. TOMA DE ALIMENTACIÓN DEL CARGADOR
2. CARGADOR EXTERNO
3. CARGADOR DE CONTACTO
4. FARO INFERIOR
5. LUCES POSTERIORES
6. INTERMITENTE IZQUIERDO
7. INTERMITENTE DERECHO

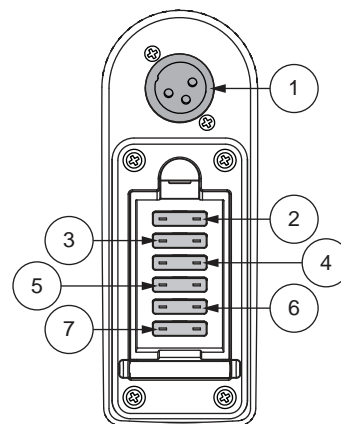


Figura 2. Toma de alimentación del cargador/Fusibles de la consola

## II. SU SCOOTER

### Fusible de la consola

Estos fusibles sirven para proteger las luces frontales del scooter, los intermitentes y el sistema de contacto de la consola de sobrecargas de tensión. Los fusibles de su scooter son del mismo tipo que los utilizados en automóviles (fig. 2).

**NOTA:** Mantenga todas las superficies eléctricas limpias, sin humedad ni cuerpos extraños.

### CONSOLA DEL TIMÓN: PANEL DE CONTROL LCD

La consola del timón y el timón inferior alojan todos los controles necesarios para conducir su scooter, incluidos el panel de control de LCD control panel, palancas de control del acelerador, el interruptor de la llave y el interruptor de la palanca de control del acelerador (fig. 3).



**¡PROHIBIDO!** No deje que la consola se humedezca. Si la consola estuviera humedecida, espere hasta que se seque completamente antes de manejar el Scooter.

### Claxon

Activa el claxon de advertencia. El claxon sólo funcionará con el scooter encendido. No dude en utilizar el claxon como señal de advertencia ante cualquier riesgo de accidente o lesión.

### Intermitentes de dirección

- Presione el botón de señal de giro correspondiente una vez para activarlo. La señal de giro destella en la pantalla LCD.
- Presione el mismo botón de señal para apagarlo.

**NOTA:** Las señales de giro están sincronizadas para apagarse luego de 15 segundos. Un pitido de advertencia sonará mientras la señal de giro esté encendida. Ver la figura 5 para el control del volumen.

### Interruptor de iluminación

- Presione el botón de las luces una vez para activar el sistema de iluminación. El símbolo de la luz aparecerá en la pantalla LCD.
- Presione nuevamente el botón de las luces para apagar el sistema de iluminación.



**¡ADVERTENCIA!** Encienda las luces de su scooter cuando la visibilidad sea insuficiente (sea de día o de noche).

### Configuraciones de la pantalla y el panel de control LCD

El panel de control LCD ofrece información de retroalimentación a través de la intuitiva pantalla LCD (fig. 3). La pantalla LCD también se usa durante la instalación (activación) de las distintas configuraciones del panel de control.

### CLAVES DE IDENTIFICACIÓN

1. CLAXON
2. BOTONES DE SEÑAL DE GIRO
3. BOTÓN DE LUCES
4. PANTALLA LCD
5. BOTÓN DE CONFIGURACIÓN
6. BOTÓN DE LUCES DE PELIGRO
7. BOTÓN DE MODO
8. INTERRUPTOR MÁX-MÍN
9. REGULADOR AJUSTE DE VELOCIDAD (AUMENTAR)
10. REGULADOR AJUSTE DE VELOCIDAD (DISMINUIR)
11. PALANCA ACELERADORA

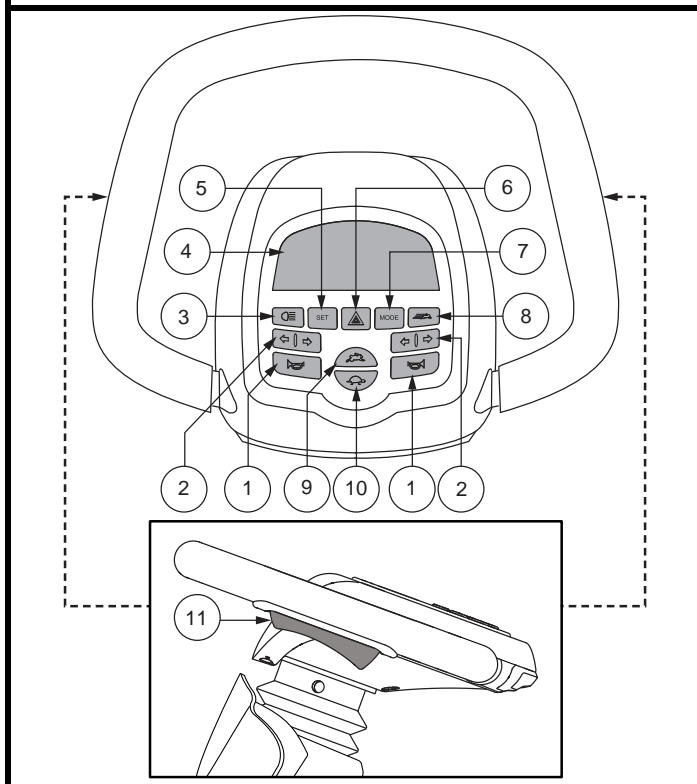


Figura 3. El panel de control LCD - Estilo B

## II. SU SCOOTER

### Botón de luces de emergencia

Este botón activa las luces intermitentes cuádruples de color amarillo en su scooter.

- Presione el botón una vez para encender las luces intermitentes de emergencia.
- Presione el botón nuevamente para apagar las luces intermitentes de emergencia.

*NOTA: Las luces intermitentes cuádruples destellarán y sonará un pitido de advertencia mientras las luces de emergencia permanezcan encendidas. Ver la figura 5 para el control del volumen.*

### Botón de modo

Use el botón de modo para desplazarse entre el odómetro, tipómetro, temperatura y reloj.

### Interruptor máx-mín

Este botón alterna la velocidad del scooter entre ALTA y BAJA.

- Presione el botón **Alta-baja** una vez para configurar el ajuste de velocidad a alta. El indicador Alta-baja aparecerá en la pantalla LCD (**fig. 4**). El uso de esta configuración junto con los botones de ajuste de la velocidad permitirá que el scooter llegue hasta la velocidad máxima preprogramada para el scooter.
- Presione nuevamente el botón **Alta-baja** para configurar el ajuste de velocidad a baja. El indicador de Alta-baja no aparecerá en la pantalla LCD. El uso de esta configuración junto con los botones de ajuste de la velocidad permitirá que el scooter llegue hasta una velocidad equivalente a la mitad de la velocidad máxima preprogramada para el scooter.

### Botones de ajuste de velocidad

Estos botones de ajuste le permiten preseleccionar y limitar la velocidad de su scooter. Esto se señala a través del indicador de velocidad máxima en la pantalla LCD (**fig. 4**).

- Presione la imagen de la **tortuga** para disminuir la velocidad del scooter..
- Presione la imagen del **liebre** para aumentar la velocidad del scooter.

*NOTA: Cuantas más barras aparezcan en el indicador de velocidad máxima, más rápida será su velocidad máxima preseleccionada. Ver la figura 4.*

### Palanca aceleradora

Estas palancas le permiten controlar la velocidad de avance y la velocidad en reversa de su scooter hasta la velocidad máxima que usted predetermine con los botones de ajuste de velocidad. Una palanca de control del acelerador se encuentra ubicada en la parte inferior de los costados izquierdo y derecho del mango del timón (**fig. 3**).

#### Para moverse hacia delante:

- Apriete la parte trasera de la palanca de control del acelerador.

#### Para moverse marcha atrás:

- Apriete la parte delantera de la palanca de control del acelerador.

Suelte la palanca aceleradora hasta que el scooter se detenga completamente antes de activar el otro lado de la palanca. Al soltar la palanca aceleradora, ésta vuelve automáticamente a la posición central de “stop”, activando los frenos del scooter.

## II. SU SCOOTER

### CONFIGURACIONES DE LA PANTALLA Y EL PANEL DE CONTROL LCD

El panel de control LCD ofrece información de retroalimentación a través de la intuitiva pantalla LCD (**fig. 5**) La pantalla LCD también se usa durante la instalación (activación) de las distintas configuraciones del panel de control. **Ver el cuadro 1.**

#### CLAVES DE IDENTIFICACIÓN

- |                                      |                                      |
|--------------------------------------|--------------------------------------|
| 1. INDICADOR DE CONDICIÓN DE BATERÍA | 8. AM/PM                             |
| 2. INDICADOR DE LUCES                | 9. RELOJ                             |
| 3. VELOCIDAD/CÓDIGO DE ERROR/VOLUMEN | 10. TEMPERATURA                      |
| 4. INDICADOR DE ALTA/BAJA            | 11. DISTANCIA/TEMP/MENSAJE DE ERROR  |
| 5. INDICADOR DE UNIDAD               | 12. TRIPÓMETRO                       |
| 6. INDICADOR DE VELOCIDAD MÁXIMA     | 13. ODÓMETRO                         |
| 7. INDICADOR DE GIRO A LA DERECHA    | 14. INDICADOR DE GIRO A LA IZQUIERDA |

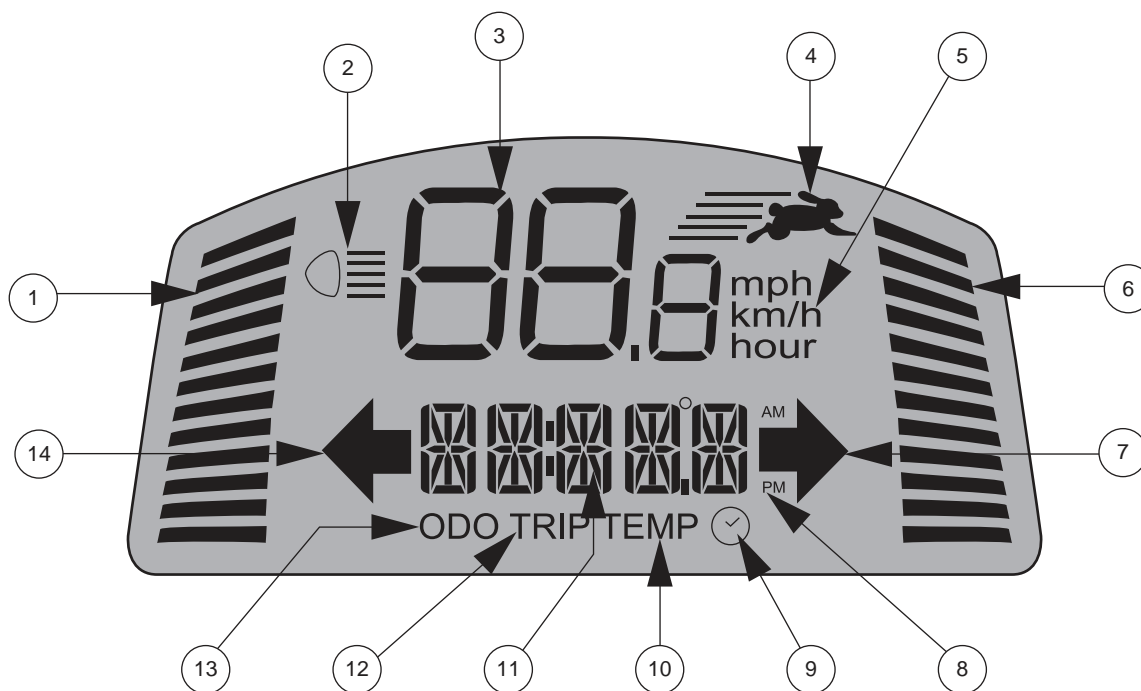




Figura 4. Pantalla LCD

## II. SU SCOOTER

CUADRO DE INFORMACIÓN DE CONFIGURACIÓN		
PARÁMETRO	CÓDIGO	INFORMACIÓN
Odómetro	<b>ODO</b>	Mide las mph, km/h y las horas de uso. También muestra toda la distancia viajada durante la vida del scooter. (No se puede reiniciar)
Tipómetro	<b>TRIP</b>	Muestra la distancia recorrida. Puede ser reiniciada a "0"
Temperatura	<b>TEMP</b>	Muestra la temperatura actual en °F o °C
Reloj		Muestra la hora en 12 horas (AM/PM) o 24 horas

Cuadro 1. Información del panel de control LCD

Presione **MODE (MODO)** hasta que la configuración que desea cambiar aparezca en la pantalla LED. Presione y mantenga apretado el botón **SET (ESTABLECER)** y luego siga los pasos correspondientes a su configuración en el **cuadro 2**.

	<b>ODO</b>	<b>TRIP</b>	<b>TEMP</b>	
<b>OPERACIÓN</b>	Presione el botón <b>MODE</b> hasta que aparezca la opción <b>ODO</b> .	Presione el botón <b>MODE</b> hasta que aparezca la opción <b>TRIP</b> .	Presione el botón <b>MODE</b> hasta que aparezca la opción <b>TEMP</b> .	Presione y mantenga pulsado <b>MODE</b> hasta que el símbolo del reloj aparezca en la pantalla.
<b>SELECCIÓN</b>	Presione y mantenga pulsado <b>SET</b> , luego presione simultáneamente el botón <b>MODE</b> hasta que la opción de configuración parpadee. Desplácese por las opciones presionando el botón <b>SET</b> .	Presione y mantenga pulsado <b>SET</b> , luego presione simultáneamente el botón <b>MODE</b> durante 2 segundos y suéltelo. Presione y mantenga pulsado <b>SET</b> hasta que Tripometer se reinicie en 0.0.	Presione y mantenga pulsado <b>SET</b> , luego presione simultáneamente el botón <b>MODE</b> hasta que la opción de configuración parpadee. Desplácese por las opciones (°F o °C) presionando los botones <b>SET</b> .	Presione y mantenga pulsado <b>SET</b> , luego presione simultáneamente el botón <b>MODE</b> hasta que el dígito de la hora parpadee. Use el botón <b>SET</b> para aumentar la hora hasta el número correcto. Continúe usando los botones <b>MODE</b> y <b>SET</b> para programar los minutos y la configuración de AM/PM.
<b>SALIR</b>	Cuando la opción deseada parpadee, presione cualquier botón excepto <b>SET</b> para salir.	Presione cualquier botón excepto <b>SET</b> para salir.	Cuando su opción esté parpadeando, presione cualquier botón excepto <b>SET</b> para salir.	Presione cualquier botón excepto <b>MODE</b> o <b>SET</b> para salir.

Cuadro 2. Información del panel de control LCD

### Modo de carga de batería

Mientras se carga la batería, la consola mostrará el reloj y el indicador de la condición de la batería.

## II. SU SCOOTER

### Indicador de la condición de la batería

Cuando la tecla se coloca en la posición “on” (encendido), este indicador LED le da una lectura aproximada de la carga de la batería. Cuando la tensión de la batería del scooter alcanza un nivel lo suficientemente bajo, sonará un *pitido* de advertencia una vez, indicando que las baterías necesitan ser cargadas. El pitido de advertencia no volverá a sonar hasta que el scooter vuelva a ser encendido o la palanca de control del acelerador sea presionada.

### Indicador LED de velocidad máxima

El indicador de velocidad máxima muestra la velocidad máxima seleccionada con los botones de ajuste de velocidad. Cuantas más barras se encuentren iluminadas, mayor será la velocidad. La velocidad máxima del scooter estará determinada por la configuración de ALTA-BAJA, que limita la velocidad máxima a la mitad cuando se coloca en BAJA. La velocidad de viaje real se mostrará en el indicador de velocidad de la pantalla LCD.

### Control del volumen

El volumen de las luces de emergencia, claxon, baja tensión, señales de giro y los *pitidos* de mensajes de error se puede subir, bajar o apagar de manera separada (**fig. 5**).

#### Para configurar el volumen:

1. Asegúrese de que la tecla se encuentre en la posición “off” (apagado).
2. Presione los dos botones correspondientes simultáneamente (**ver el cuadro 3**), y coloque la tecla en la posición “on”.
3. Una vez que aparece la pantalla de control del volumen, suelte los botones.
4. Presione el botón del conejo para subir el volumen y el botón de la tortuga para bajar el volumen del *pitido* (0 indica apagado y 4 indica el volumen más alto).
5. Para salir, presione cualquier botón excepto el del **conejo** o el de la **tortuga**.

**NOTA:** La opción de idioma del mensaje de error se configura de la misma manera que el volumen.

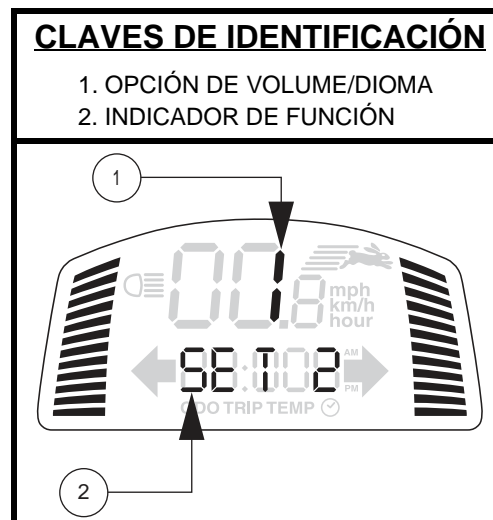


Figura 5. Pantalla del control del volumen

FUNCIÓN	BOTONES	INDICADOR DE FUNCIÓN
Luces de pellgro	SET + LUCES DE PELLGRO	SET 1
Claxon	SET + CLAXON	SET 2
Baja Tensión	SET + INDICADOR DE GIRO A LA IZQUIERDA	SET 3
Intermitentes de dirección	SET + INDICADOR DE GIRO A LA DERECHA	SET 4
Opción de idioma del mensaje de error	SET + LUCES	SET 5 6 - Español 5 - Italiano 4 - Francés 3 - Alemán 2 - Holandés 1 - Inglés 0 - Cerrar

Cuadro 3. Información sobre el control del volumen



## II. SU SCOOTER

### TIMÓN INFERIOR (disponible en los modelos 614 y 714 exclusivamente)

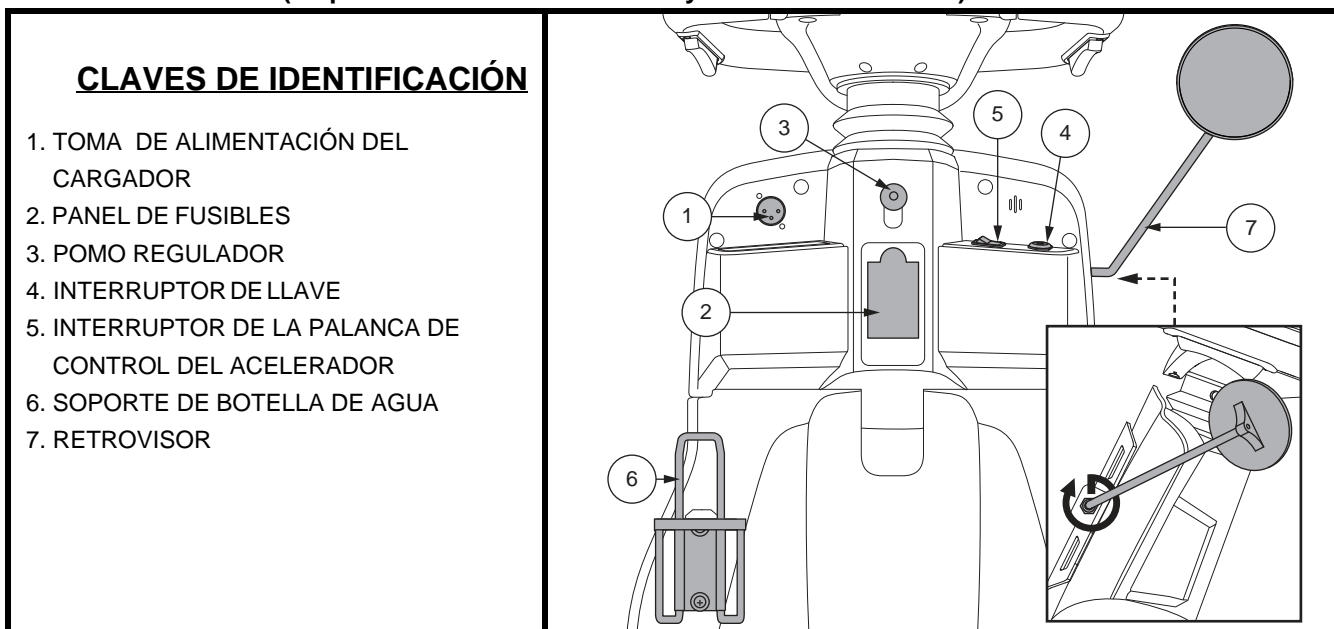


Figura 6. Timón inferior componentes

#### Toma de alimentación del cargador

El cable de alimentación del cargador externo se enchufa en esta toma para cargar las baterías. El puerto del cargador externo estará ubicado en el timon (fig. 6).

#### Fusible de la consola

Para más información y una descripción completa del sistema de fusibles (fig. 2).

#### Palanca de ajuste del timón o Perilla de ajuste de timón

Consulte V. "Optimización de la Comodidad".

#### Cerradura de Contacto

- Introduzca la llave en la cerradura de contacto y gírela en sentido horario para encender el scooter (fig. 6).
- Gírela en sentido contrario a las agujas del reloj para apagar el scooter.



**¡ADVERTENCIA!** Si mueve la llave a la posición "off" con el scooter en movimiento, activará los frenos electrónicos y el scooter se detendrá bruscamente.

#### Interruptor de la palanca de control del acelerador

Este interruptor determina cuál de las palancas de control del acelerador (la izquierda o la derecha) funcionará (fig. 6).

- Cambie el interruptor a la izquierda para activar la palanca de control del acelerador izquierda.
- Cambie el interruptor a la derecha para activar la palanca de control del acelerador derecha.

**NOTA:** Sólo funcionará una palanca de control del acelerador a la vez.

#### Soporte para botella de agua

El soporte para botella de agua está diseñado para contener una botella de agua de plástico y de tamaño estándar. El soporte puede ser anexo a cualquiera de los lados del scooter usando las piezas suministradas.

## II. SU SCOOTER

### SECCIÓN POSTERIOR

La palanca del modo manual, las ruedas antivuelco (si está equipado), el conjunto motor/transeje y opcional Soportes para Bandera de Seguridad están situados en de su scooter tal y como aparece en la **figura 7**. Aunque no se muestran, las baterías y el interruptor principal (botón de reinicio) también se encuentran en la sección posterior de componentes de su scooter.



**¡ADVERTENCIA!** Antes de activar o desactivar el modo manual de su scooter, quite la llave de la cerradura de contacto. No se siente nunca en un scooter que esté en modo manual. No utilice nunca el modo manual en pendientes.

### CLAVES DE IDENTIFICACIÓN

1. PALANCA DEL MODO MANUAL
2. CONJUNTO DE MOTOR Y TRANSEJE
3. RUEDAS ANTIVUELCO (en modelos equipados)
4. SOPORTES PARA BANDERA DE SEGURIDAD

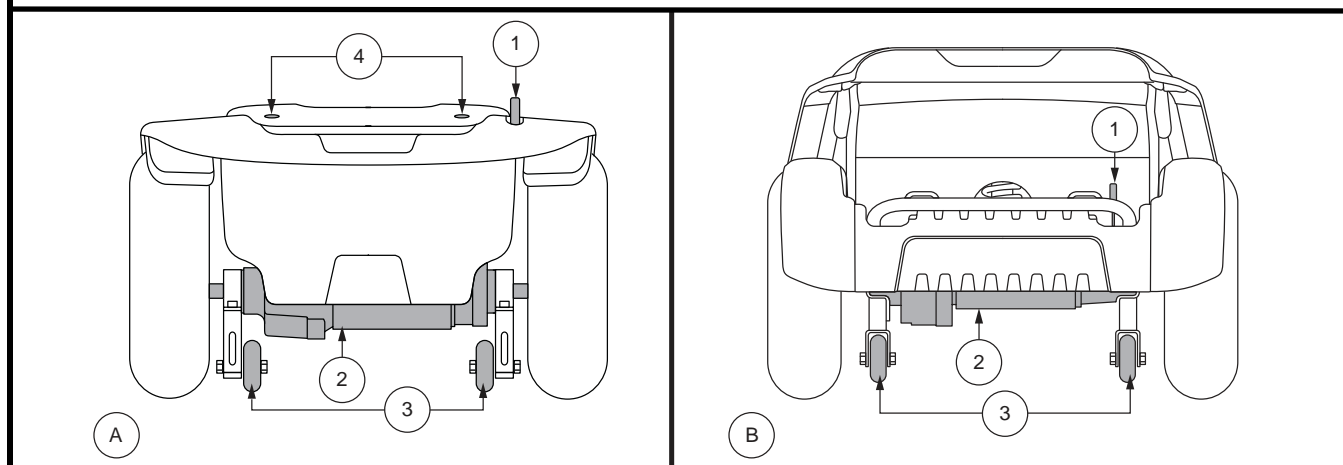


Figura 7. Sección Posterior

### Palanca del modo manual

Utilice el modo manual cuando necesite o quiera empujar su scooter a lo largo de distancias cortas.

1. Saque la llave de la cerradura de contacto.
2. Presione la palanca hacia delante para deshabilitar el sistema de conducción y frenado. Ya puede empujar su scooter.
3. Tire hacia atrás de la palanca del modo manual para volver a habilitar el sistema de conducción y frenado; desactivará así el modo manual del scooter.



**¡ADVERTENCIA!** Cuando el scooter está en modo manual, el sistema de frenado permanece inactivo.

- Desactive los motores sólo en superficies llanas.
- Asegúrese de sacar la llave de la cerradura de contacto.
- Sitúese detrás o a un lado del scooter para activar y desactivar el modo manual. Nunca lo haga sentado en el scooter.
- Cuando haya terminado de empujar el scooter, vuelva siempre al modo conducción para bloquear los frenos.

**NOTA:** Si el scooter está en modo manual (la palanca está hacia delante) y la llave en posición “on”, el vehículo no funcionará hasta que se empuje la palanca de modo manual hacia atrás y la llave se gire hasta la posición “off”, y luego de vuelta a la posición “on”.

## II. SU SCOOTER

### Conjunto de motor y transeje

El conjunto de motor y transeje constituye una unidad electromecánica que convierte la energía eléctrica de las baterías del scooter en energía mecánica controlada que impulsa las ruedas del scooter.

### Ruedas antivuelco (en modelos equipados)

Las ruedas antivuelco son parte integrante de la seguridad de su scooter. Están atornilladas a la estructura en la parte posterior del scooter.



**¡PROHIBIDO!** Salvo autorización de su proveedor, no retire las ruedas antivuelco ni modifique de ninguna forma su scooter.



**¡ADVERTENCIA!** Las ruedas antivuelco podrían entorpecer la fluidez normal del scooter al subir o bajar una acera. Para obtener más información, consulte con su proveedor autorizado.

### Baterías

Las baterías guardan la energía eléctrica que impulsa el scooter. Véase el capítulo III, “Baterías y su carga” para saber cómo cargar las baterías de su scooter.

### Soporte para bandera de seguridad (Opcional — Modelos 613/713)

En la parte trasera del scooter están montados soportes accesorios para instalar una bandera de seguridad adicional (fig. 7).

#### Para instalar la bandera de seguridad:

1. Quite el tapón de la parte superior del soporte.
2. Inserte el asta de la bandera en la abertura.

### Botón disyuntor/reinicio

Para evitar daños en el motor y el sistema electrónico, el disyuntor principal puede saltar cuando el voltaje de las baterías del scooter se vuelve insuficiente o el scooter está demasiado forzado debido a cargas o pendientes excesivas. Así, al activarse el disyuntor, todo el sistema eléctrico del scooter se apaga (fig. 8).

#### ■ Tres tipos:

1. La **palanca de reinicio** se abate cuando el interruptor se dispara.
2. El **botón de reinicio** emerge cuando el interruptor se dispara.
3. La **de tipo de reinicio automático** se reiniciará sola luego de aproximadamente un minuto.

- Deje “descansar” los componentes electrónicos de su scooter durante un minuto o dos.

### CLAVES DE IDENTIFICACIÓN

1. ESTILO DE LA PALANCA
  - a. palanca de reinicio
  - b. botón de apagado manual
2. ESTILO DEL BOTÓN DE REINICIO
3. ESTILO DEL REINICIO AUTOMÁTICO (MODELOS 614 O 714)

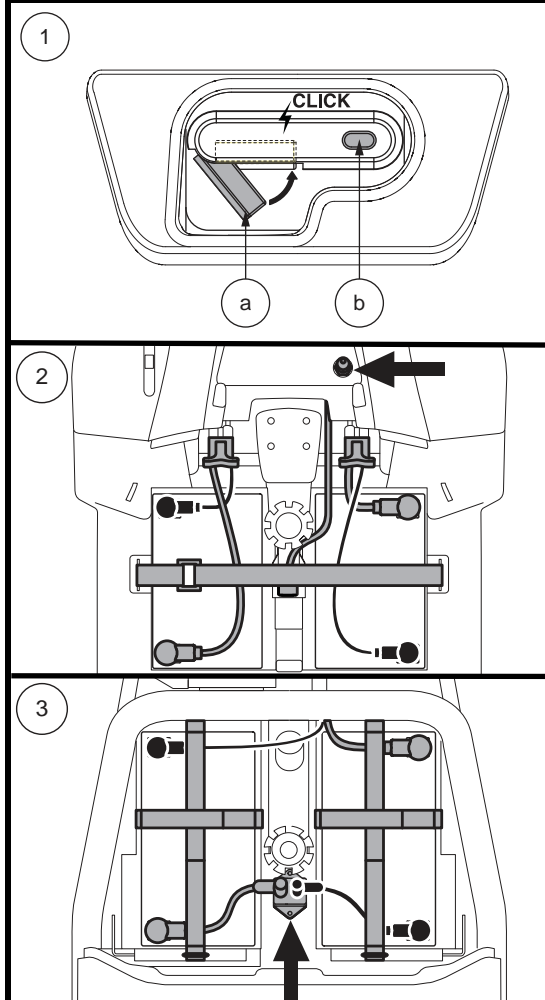


Figura 8. Botón Dusyuntor/Reinicio

## II. SU SCOOTER

- Levante la palanca de reinicio hasta escuchar un clic, o apriete el botón de reinicio para restablecer el disyuntor principal.
- Si el disyuntor principal se activa con frecuencia, puede que tenga que cargar las baterías más a menudo. Puede que necesite pedirle a su proveedor autorizado que realice una prueba de carga de las baterías del scooter.
- Si el disyuntor principal interrumpe la corriente regularmente, consulte a su proveedor autorizado.

**AVISO:** Si está preparando el scooter para un transporte o servicio, o si se presenta una situación que exige que usted apague manualmente el sistema eléctrico, presione el botón de apagado manual en el interruptor. Esto cortará toda la alimentación de energía eléctrica al scooter.

### PUNTOS DE SUJECIÓN

Sujete siempre el scooter dentro del vehículo mirando hacia delante. Enganche las cuatro correas de sujeción a los puntos de sujeción designados a tal efecto (**fig. 9 y 10**). Apriete las correas para evitar cualquier movimiento en el scooter. No sujete nunca las correas a piezas extraíbles o regulables del scooter como reposabrazos, reposapiés o ruedas. Deberá retirar estos elementos extraíbles. Coloque los puntos de anclaje de las correas posteriores justo por detrás de los puntos de sujeción posteriores del scooter. Las correas frontales deben amarrarse a los puntos de anclaje del suelo, que tienen una anchura ligeramente superior a la del scooter para incrementar así la estabilidad lateral de éste.

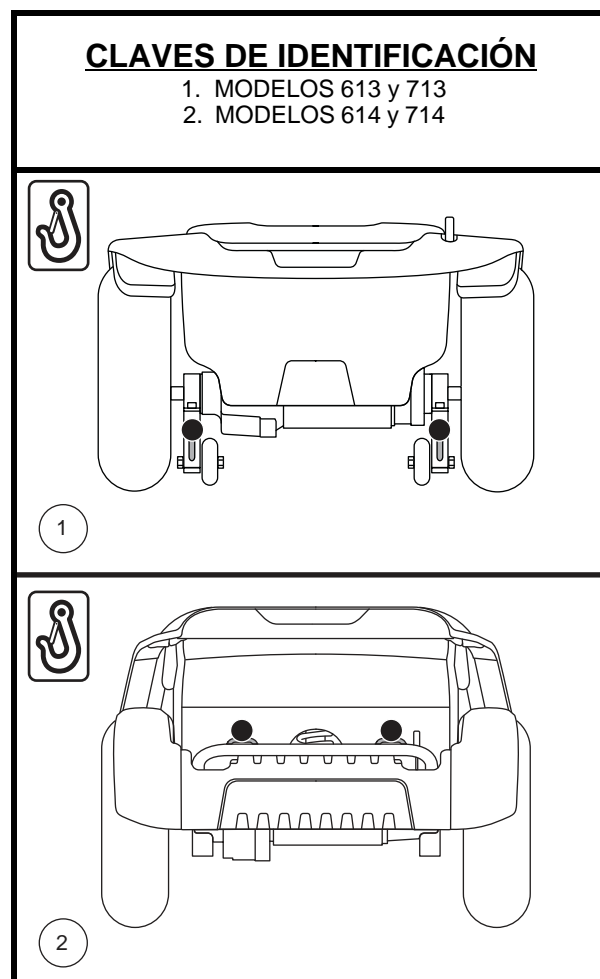


Figura 9. Puntos de sujeción posteriores (identificados con puntos negros)

## II. SU SCOOTER



**¡ADVERTENCIA!** Antes de transportar el scooter dentro de un vehículo a motor, asegúrese de que el primero está sujeto correctamente. Los scooters incorrectamente sujetos pueden ser un peligro para el usuario y para los restantes pasajeros del vehículo en caso de accidente de tráfico o detención o giro repentinos, ya que el scooter podría volcar o moverse. No sujete un scooter de ninguna de sus partes desmontables tales como reposabrazos, asiento, cesta, soportes accesorios, etc.

### CLAVES DE IDENTIFICACIÓN

1. MODELOS CON 3-RUEDAS
2. MODELOS CON 4-RUEDAS

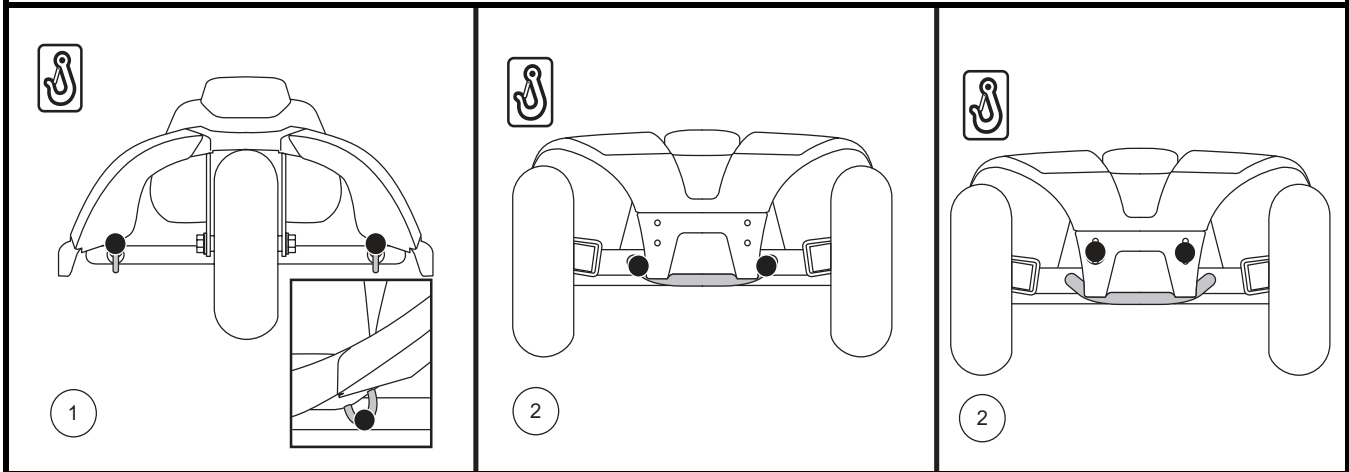


Figure 10. Puntos de sujeción frontales (identificados con puntos negros)

# III. BATERÍAS Y SU CARGA

## BATERÍAS Y SU CARGA

El Scooter utiliza dos baterías de ciclo profundo y larga duración de 12 voltios, selladas y libres de mantenimiento. Se recargan mediante el cargador externo suministrado.

- Cargue las baterías de su scooter de por lo menos 8 a 14 horas antes de usarlas por primera vez.
- Para que el scooter funcione perfectamente, mantenga las baterías totalmente cargadas.

## LECTURA DEL VOLTAJE DE LAS BATERÍAS

El indicador de batería de la consola muestra la potencia aproximada de las baterías mediante un código de color. De derecha a izquierda, el verde indica que las baterías están completamente cargadas, el amarillo un vaciado parcial y el rojo advierte sobre la necesidad de recargarlas (**fig. 11**). Para obtener la mayor precisión, compruebe el indicador de baterías conduciendo el scooter a velocidad máxima, sobre una superficie plana y seca. Para modelos con pantalla LCD, por favor diríjase a la sección “Indicador de la condición de la batería” en la página 216.

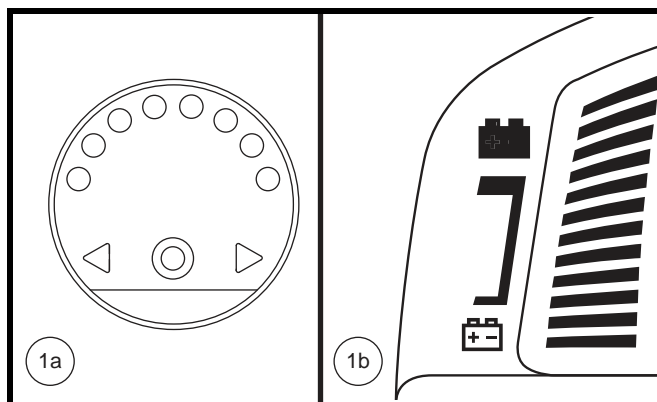


Figura 11. Indicador de Batería

## CARGADO DE BATERÍAS



**¡PROHIBIDO!** No quite el contacto de tierra del enchufe para evitar cualquier riesgo eléctrico. Si su toma de corriente tiene únicamente 2 orificios, instale un adaptador de 3 contactos adecuado.



**¡PROHIBIDO!** No conecte cables de prolongación al cable del cargador de batería, ya que podría provocar un riesgo eléctrico.



**¡PROHIBIDO!** Mientras las baterías se cargan, no deje que los niños jueguen cerca del scooter sin supervisión. Le recomendamos no cargar las baterías mientras la silla esté ocupada.



**¡OBLIGATORIO!** Antes de cargar las baterías, lea las instrucciones de carga en este manual y en el manual suministrado con el cargador de batería.



**¡ADVERTENCIA!** Durante el cargado de baterías se pueden generar gases explosivos. Mantenga su silla y el cargador alejados de fuentes ignífugas como llamas o chispas, y proporcione una ventilación adecuada durante el cargado de baterías.

**¡ADVERTENCIA!** Utilice el cargador externo suministrado para recargar las baterías de su silla. No utilice los cargadores utilizados en los automóviles.

**¡ADVERTENCIA!** Antes de cada uso, compruebe el estado de cargador, cables y conectores. Contacte con su proveedor autorizado si encontrara algún daño.



**¡ADVERTENCIA!** No intente abrir la carcasa del cargador de batería. Si el cargador no funcionara correctamente, contacte con su proveedor autorizado.

**¡ADVERTENCIA!** Si el cargador de batería externo viene equipado con ranuras de ventilación, no obstruya el paso de dichas ranuras.

**¡ADVERTENCIA!** Tenga en cuenta que la carcasa del cargador puede acabar recalentándose durante el cargado. Evite todo contacto con la piel y no deje el cargador sobre superficies a las que pueda afectar el calor.

### III. BATERÍAS Y SU CARGA



**¡ADVERTENCIA!** Salvo que su cargador haya sido probado y aprobado para exteriores, no lo exponga a condiciones ambientales extremas o adversas. Si hubiera sido expuesto a condiciones ambientales extremas o adversas, deberá dejarlo adaptarse a las nuevas condiciones en interiores antes de volver a utilizarlo. Para más información, consulte el manual suministrado con su cargador de batería.

Para cargar las baterías de forma segura con el cargador externo:

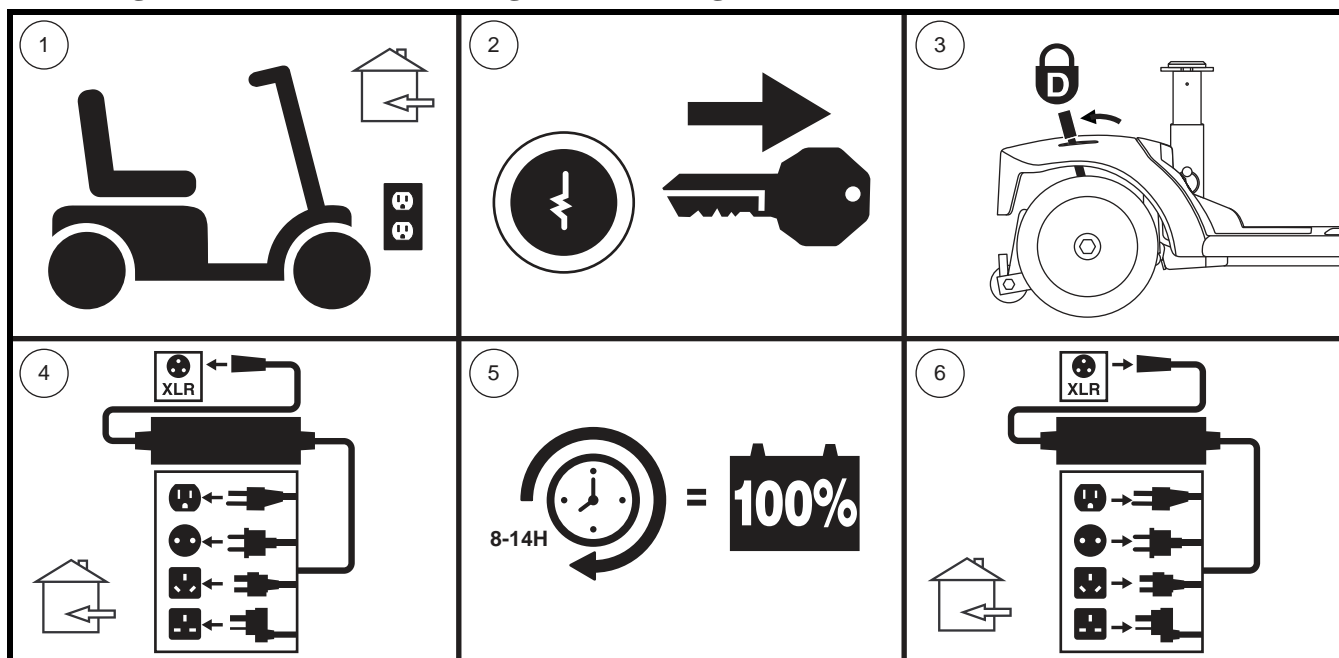


Figura 12. Diagrama del procedimiento de carga de las baterías



**¡ADVERTENCIA!** Los indicadores LED en el cargador indican los diferentes estados de carga en cada momento. Si al cabo de 24 horas, el LED sigue sin indicar una carga completa, desenchufe el cargador de la toma de corriente y póngase en contacto con su proveedor. Para saber más sobre estos indicadores, consulte la etiqueta del cargador.

**NOTA:** El scooter dispone de un bloqueador del cargador. Ni el scooter ni el indicador de batería funcionarán mientras se estén cargando las baterías.

#### PREGUNTAS MÁS FRECUENTES (P+F)

##### ¿Cómo funciona el cargador?

Cuando el nivel de voltaje de las baterías es bajo, el cargador trabaja más duro, enviando más corriente eléctrica a las baterías para llenarlas. Cuando están casi totalmente cargadas, el cargador envía cada vez menos corriente eléctrica. Una vez cargadas completamente, la corriente enviada por el cargador baja hasta un amperaje cercano al cero. Por ello, cuando el cargador está enchufado, mantiene el nivel de carga de las baterías de su scooter, pero sin sobrecargarlas. Para las instrucciones sobre el cargado de baterías, consulte el manual suministrado con el cargador.

##### ¿Puedo utilizar otro tipo de cargador?

Los cargadores varían en función de los usos, y están específicamente adaptados al tipo, tamaño y formulación química de unas determinadas baterías. Para conseguir un cargado más eficiente y seguro de las baterías de su scooter, utilice únicamente el cargador suministrado con el equipo original de su producto. Queda prohibido cualquier método de carga en el que se carguen las baterías individualmente.

## III. BATERÍAS Y SU CARGA

### ¿Por qué no consigo cargar las baterías de mi scooter?

- Compruebe que los cables de batería negro (-) y rojo (+) estén conectados correctamente a los bornes de batería.
- Compruebe que ambos extremos del cable de alimentación del cargador estén bien conectados.

### ¿Con qué frecuencia debo recargar las baterías?

Para determinar con qué frecuencia debe cargar las baterías, tenga en cuenta estos dos factores principales:

- Utilización intensiva a diario.
- Uso infrecuente o esporádico.

Teniendo en cuenta esto, podrá determinar con qué frecuencia y durante cuánto tiempo debe cargar las baterías de su scooter. El cargador de batería está pensado para no sobrecargar las baterías del scooter. No obstante, puede tener problemas si no recarga las baterías con la frecuencia requerida o regularmente. Para obtener un cargado y un funcionamiento seguros y fiables, observe las siguientes consignas.

- Si utiliza el scooter a diario, recargue las baterías al finalizar el día. Así, estará listo a la mañana siguiente. Si lo utiliza diariamente, le recomendamos que deje cargando las baterías de por lo menos 8 a 14 horas cada día. Recomendamos dejar cargando las baterías durante 4 horas más después de que el indicador muestre que la carga ha sido completada.
- Si lo utiliza una vez a la semana o menos, cárguelas al menos una vez a la semana durante por lo menos 24 horas.

**NOTA: Mantenga siempre las baterías cargadas y no deje que se descarguen completamente. Para las instrucciones sobre el cargado de baterías, consulte el manual suministrado con el cargador. Para mejorar el rendimiento y la vida de sus baterías, nosotros recomendamos cargar las baterías durante al menos 48 horas seguidas una vez al mes.**

### ¿Cómo puedo lograr la máxima vida para mis baterías?

Una batería de ciclo profundo completamente cargada es una garantía de larga vida y alto rendimiento. Siempre que sea posible, mantenga las baterías de su scooter completamente cargadas. Proteja su scooter y las baterías del calor y el frío extremos. Las baterías que se dejan descargar con frecuencia, no se cargan con regularidad, se guardan bajo temperaturas extremas o antes de haberlas recargado completamente pueden dañarse de forma permanente, afectando al funcionamiento del producto y limitando la vida de las mismas.

**NOTA: Para prolongar la autonomía de las baterías, apague el scooter y extraiga la llave de contacto siempre que no lo esté utilizando.**

### ¿Cómo puedo obtener el máximo rendimiento por carga?

En general, las situaciones ideales de conducción (terreno liso, plano y firme, sin viento, ni curvas o pendiente) son infrecuentes. En la mayoría de los casos, encontrará pendientes, ranuras en aceras, superficies mal pavimentadas y curvas. Estos factores afectan a la distancia que puede recorrer (la duración de las baterías).

- Antes de usarlas, cargue completamente las baterías.
- Mantenga pero no supere la presión de aire en psi/bares/kPa indicada en cada rueda.
- Planee su trayecto para evitar en lo posible pendientes y superficies blandas o irregulares.
- Limite el equipaje a los artículos imprescindibles.
- Intente mantener una velocidad constante cuando el scooter esté en movimiento.
- Evite avanzar a trompicones.
- Para mejorar el rendimiento y la vida de sus baterías, le recomendamos cargar las baterías durante al menos 48 horas seguidas una vez al mes.
- Compruebe que todos los cables estén conectados correctamente.



## III. BATERÍAS Y SU CARGA

### ¿Qué tipo de baterías debo utilizar?

Le recomendamos las baterías de ciclo profundo que vienen selladas y no necesitan mantenimiento. Tanto las baterías AGM como las de gel son baterías de ciclo profundo, y su rendimiento es similar. No utilice baterías líquidas, con tapas extraíbles. Consulte el cuadro de especificaciones para saber el tamaño, ya que las baterías varían en función del fabricante.



**¡ADVERTENCIA! Las baterías están fabricadas con materiales químicos corrosivos. Utilice únicamente baterías de gel o AGM; reducirá así los riesgos de derrame o explosión.**

*NOTA: Las baterías selladas no requieren mantenimiento. No levante las tapas.*

### ¿Por qué mis baterías nuevas no rinden al máximo?

Las baterías de ciclo profundo utilizan una tecnología química distinta de las baterías para coches, las de níquel-cadmio u otros tipos de baterías. Las baterías de ciclo profundo están especialmente diseñadas para proporcionar energía, ir agotando su carga y luego permitir una recarga relativamente rápida.

Nos trabajamos en estrecha colaboración con el fabricante de nuestras baterías para ofrecerle la batería que mejor se adapta a su silla. Nuevas baterías llegan continuamente y son reexpedidas una vez que han sido cargadas. Durante el transporte, las baterías son expuestas a temperaturas extremas que pueden influir en su rendimiento inicial. El calor puede disminuir su carga, y el frío ralentizar la energía disponible y alargar el tiempo necesario para volver a cargar la batería (lo mismo que ocurre en el automóvil).

Serán necesarios unos cuantos días para que la temperatura de las baterías del scooter se estabilice y adapte a la nueva temperatura ambiente. Por otra parte, deberán pasar varios ciclos de carga (vaciado parcial seguido de recarga completa) antes de lograr el equilibrio químico esencial para obtener el máximo rendimiento y duración de una batería de ciclo profundo.

### **Siga estos pasos para “rodar” correctamente las nuevas baterías de su scooter y obtener así la máxima eficacia y duración:**

1. Cargue completamente las baterías nuevas antes de utilizarlas por primera vez. Con este ciclo de carga conseguirá que rindan al 88% de su nivel máximo.
2. Maneje su nuevo scooter por zonas seguras y familiares. Al principio, conduzca despacio y no vaya demasiado lejos de su casa o entornos habituales hasta que no se haya acostumbrado a los controles del scooter y haya rodado correctamente las baterías.
3. Recargue completamente las baterías. Así, conseguirá que rindan a más del 90% de su nivel máximo.
4. Conduzca de nuevo su scooter, y vuelva a recargar completamente las baterías.
5. Tras cuatro o cinco ciclos de carga, las baterías podrán recibir una carga del 100% de su nivel máximo de rendimiento y durarán más tiempo.

### **Utilización del transporte público**

Las baterías de gel y AGM están diseñadas para su uso en motos y otros vehículos motorizados. Estas baterías son la Administración Federal de Aviación (FAA), aprobado (sólo en los EE.UU.), lo que permite un transporte seguro en aviones, autobuses y trenes, ya que no hay peligro de derrame o fuga. Si va a utilizar el transporte público, por favor póngase en contacto previamente con la compañía para cumplir con sus requisitos específicos.

# III. BATERÍAS Y SU CARGA

¿Cómo se cambian las baterías de mi scooter?



**¡OBLIGATORIO!** Los bornes, terminales de batería y otros accesorios contienen compuestos de plomo. Durante la manipulación, póngase gafas y guantes, y lávese las manos después.



**¡PROHIBIDO!** Use siempre dos baterías que sean idénticas, del mismo tipo, composición química y capacidad nominal (Ah). Consulte el cuadro de especificaciones de este manual y del manual suministrado con el cargador para saber el tipo de batería recomendado y su capacidad nominal.

**¡ADVERTENCIA!** No mezcle baterías viejas y nuevas. Cambie siempre ambas baterías al mismo tiempo.



**¡ADVERTENCIA!** Si tiene alguna duda acerca de las baterías de su scooter, no dude en contactar con su proveedor autorizado.

**¡ADVERTENCIA!** No manipule las baterías con el asiento ocupado.

**¡ADVERTENCIA!** Las baterías de su scooter únicamente podrán ser mantenidas o reemplazadas por un proveedor autorizado o un técnico cualificado.



**¡PROHIBIDO!** Evite el contacto de herramientas y otros objetos metálicos con los terminales de batería. El contacto con herramientas puede producir descargas eléctricas.

Para cambiar las baterías, necesitará las siguientes herramientas:

- llaves de tubo con trinquete estándar y métricas
- llave inglesa



**¡ADVERTENCIA!** No levante pesos por encima de sus capacidades físicas. En caso necesario, pida ayuda para montar o desmontar el scooter.

Para cambiar las baterías su scooter:

1. Retire el asiento y la carrocería trasera (fig. 13).
  - a.) Para los modelos 614 y 714, retire la cubierta trasera quitando los dos (2) tornillos de mariposa que la fijan al chasis del scooter, y luego levante la cubierta en forma recta hacia arriba retirándola del scooter (fig. 13).
  - b.) Para los modelos 614 y 714, retire la cubierta de la batería quitando los cuatro (4) tornillos de mariposa que la fijan al chasis del scooter, y luego levante la cubierta en forma recta hacia arriba retirándola del scooter (fig. 13).
2. Desconecte la cincha(s) de amarre de las baterías.
3. Para todos los modelos EXCEPTO el 614 y el 714, desconecte la cincha de amarre frontal-posterior. Desenchufe ambas cinchas de la batería extrayendo cada cincha de su enchufe de conexión (fig. 14).

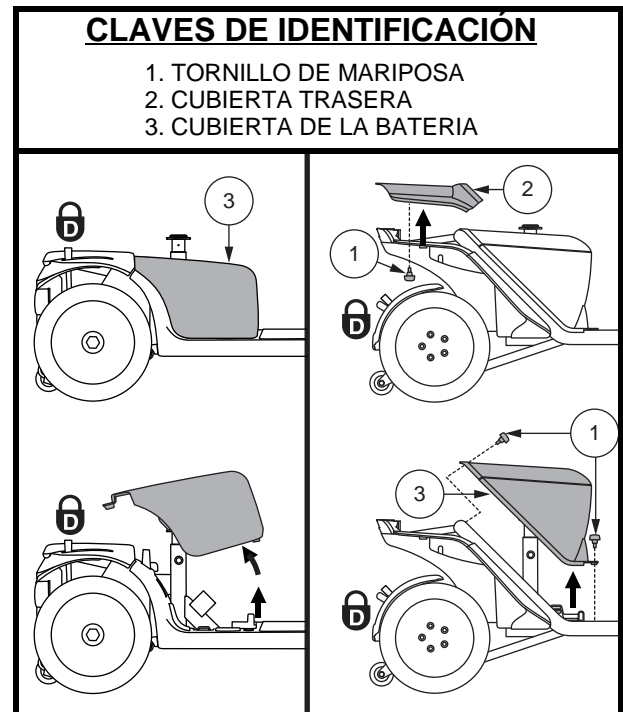


Figura 13. Remoción de la cubierta trasera/ Instalación

**¡ADVERTENCIA!** No tire directamente de los cables eléctricos para desconectarlos del scooter. Sujete siempre por el conector del cable para evitar cualquier daño a la hora de desenganchar los cables.



**¡ADVERTENCIA!** Si no desenchufa ambas cinchas de la batería y la cincha de amarre frontal-posterior antes de separar las secciones delantera y trasera, esto puede provocarle un daño permanente al scooter.

# III. BATERÍAS Y SU CARGA

## CLAVES DE IDENTIFICACIÓN

### 1. BOTÓN DISYUNTOR/REINICIO

- 1a. Botón de Reinicio
- 1b. Palanca de Reinicio
- 1c. Reinicio Automático

### 2. BORNES DE BATERÍA BAJO CAPUCHONES

- 3. CINCHA DE AMARRE DE LAS BATERÍAS
- 4. CABLE DE BATERÍA
- 5. CABLE DE CONEXIÓN FRONTAL-POSTERIOR

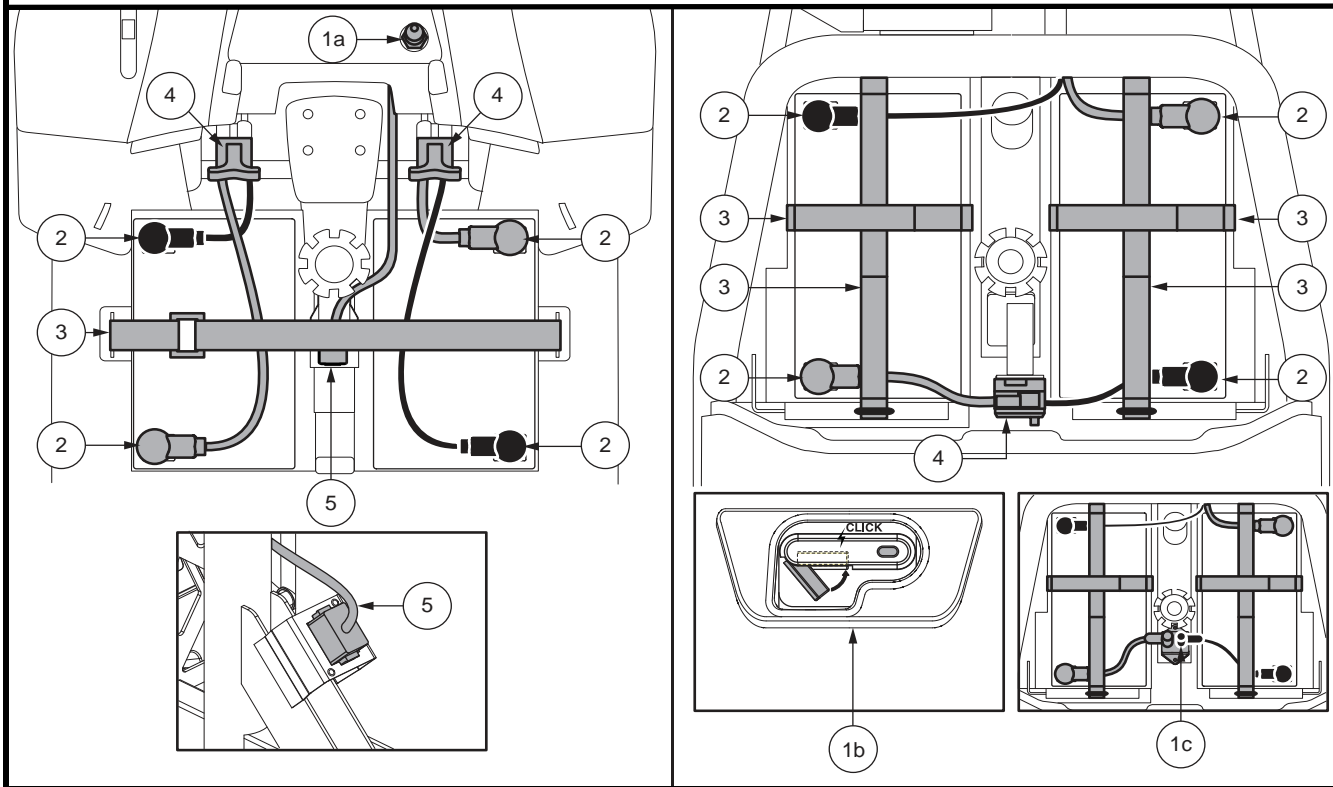


Figura 14. Remoción de la batería / Instalación de Terminales y Conexiones

- 4. Desconecte los cables de batería de los terminales de batería deslizando hacia atrás las cubiertas de las terminales y desenroscando la tuerca del tornillo (fig. 15).
- 5. Extraiga las baterías viejas.

**NOTA:** Algunos scooters tienen espaciadores instalados para asegurar las baterías. Usted puede remover los espaciadores para guardarlos seguros hasta que las baterías sean reemplazadas en el scooter. Ver figura 16.

- 6. Coloque una nueva batería en cada espacio destinado a las baterías. Las terminales de la batería deben mirar en sentido contrario al asiento, con las terminales positivas (+) y negativas (-) posicionadas tal como se indica en la figura 14.

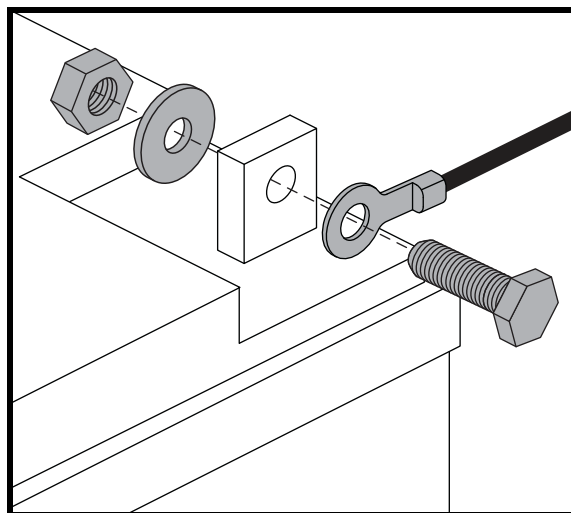


Figura 15. Equipo Terminal de la Batería

**NOTA:** Los modelos 614 y 714 usan cinchas para batería para fijar las baterías a los espacios destinados a las baterías. Por favor, vea la figura 16 para conocer los procedimientos de instalación de cinchas de batería.

# III. BATERÍAS Y SU CARGA

7. Conecte el cable rojo de batería al borne positivo (+).
8. Conecte el cable negro de batería al borne negativo (-).
9. Vuelva a colocar los capuchones sobre los bornes.
10. Vuelva a colocar las cinchas de amarre.
11. Coloque de nuevo la carrocería posterior y el asiento.

**NOTA:** Si alguna batería está dañada o agrietada, guárdela inmediatamente en una bolsa plástica y llame a su proveedor autorizado para saber dónde debe tirarla. Su proveedor autorizado dispondrá además de la información necesaria sobre reciclado de baterías, que es lo que nosotros recomendamos.

## Amarre de baterías y colocación de cinchas

1. Amarre las baterías a los espacios destinados para las baterías colocando las cinchas de batería provistas a través de las ranuras de los espacios destinados a las baterías, tal como se muestra.
2. Asegúrese de que la cincha corta corra sobre la parte superior de la cincha larga.

**NOTE:** Antes de amarrar ambas cinchas, asegúrese que el anillo en D estén ubicados como se indica aquí. El anillo en D debe estar ubicado aproximadamente a 2.54 cm (1 pulgada) de distancia del espacio de la batería, pero nunca debe tocarlo.

3. Cualquier exceso de cincha debe ser ubicado mirando hacia la parte trasera, o junto al asiento, del scooter.



**ADVERTENCIA!** Las cinchas de la batería nunca se deben colocar debajo de la batería.

## CLAVES DE IDENTIFICACIÓN

- |                           |                            |
|---------------------------|----------------------------|
| 1. AJUSTADOR REUTILIZABLE | 5. RANURA DELANTERA        |
| 2. CINCHA CORTA           | 6. RANURA LATERAL          |
| 3. CINCHA LARGA           | 7. RANURA TRASERA          |
| 4. ANILLO EN D            | 8. ESPACIADORES DE BATERÍA |

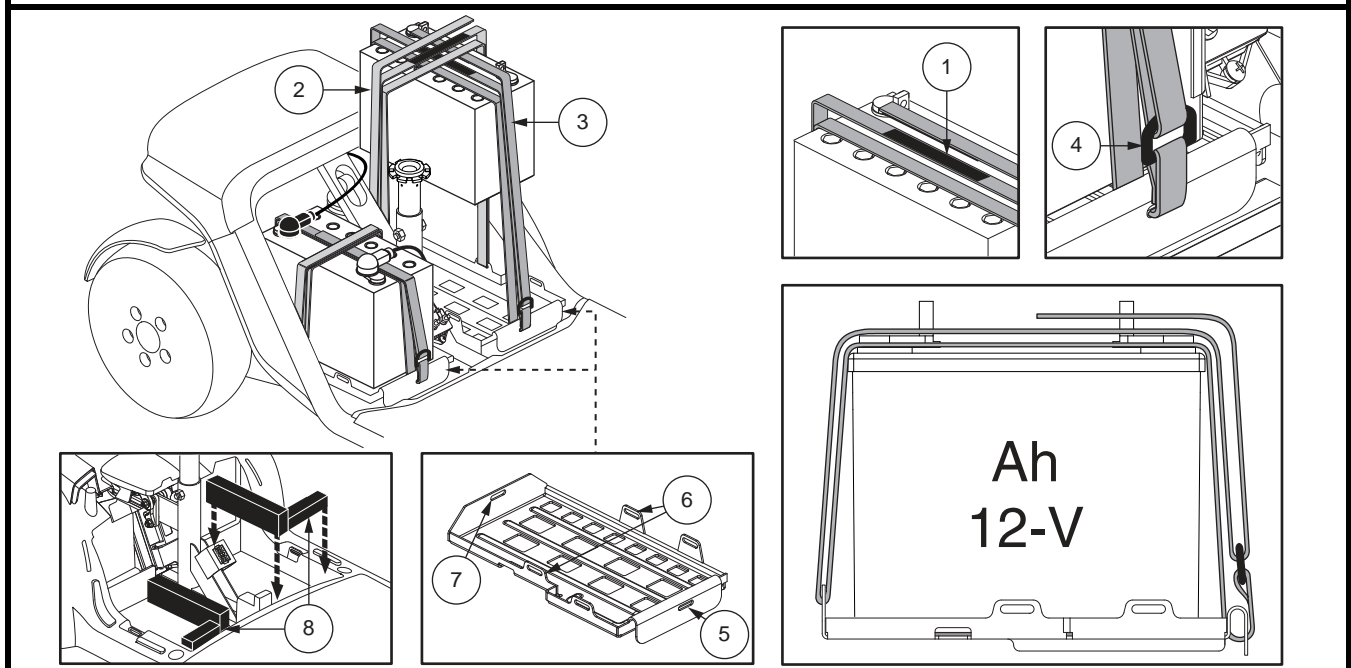


Figura 16. Amarre de baterías para los modelos 614 y 714.

# IV. FUNCIONAMIENTO

## ANTES DE MONTAR EN EL SCOOTER

- ¿Ha cargado las baterías completamente? Capítulo III, “Baterías y su carga”.
- ¿Está la palanca manual en el modo conducción (hacia atrás)? A menos que quiera empujar manualmente su scooter, nunca deje la palanca manual hacia delante.
- Asegúrese de que la temperatura del aire es de entre -13°F/-25°C a 122°F/50°C.

## AL MONTAR EN EL SCOOTER

1. Asegúrese de sacar la llave de la cerradura de contacto.



**¡ADVERTENCIA! Nunca intente subir o bajar de su scooter sin antes quitar la llave de la cerradura de contacto. Así, evitará que el scooter se mueva si accidentalmente acciona la palanca aceleradora.**

2. Colóquese a un lado del scooter.
3. Afloje la palanca de bloqueo del asiento y gire éste de forma que quede mirando hacia usted.
4. Compruebe que el asiento esté firme y no se mueva.
5. Siéntese con cuidado y póngase cómodo en el asiento.
6. Afloje la palanca de bloqueo del asiento y gire éste hasta quedar mirando al frente.
7. Compruebe que el asiento esté firme y no se mueva.
8. Asegúrese de que sus pies estén apoyados correctamente en el piso del scooter.

## AJUSTES Y CONTROLES PREVIOS

- ¿Está el asiento a la altura adecuada? Consulte el Capítulo V, “Optimizar el confort”.
- ¿Está el asiento bien sujeto en su sitio?
- ¿El manillar está en una posición cómoda y bien sujeto en su sitio? Capítulo V, “Optimizar el confort”.
- ¿La llave está completamente insertada en la cerradura de contacto y girada en sentido horario hacia la posición “on”?
- ¿El claxon de scooter funciona correctamente?
- ¿El camino por el que va a circular está libre de gente, animales y obstáculos?
- ¿Ha planeado su itinerario para evitar superficies irregulares y todas las pendientes que pueda?

## MANEJO DEL SCOOTER

**¡ADVERTENCIA! Lo siguiente podría afectar negativamente a la dirección y estabilidad mientras conduce su scooter:**

- Sujetar o llevar atada una correa para pasear a su mascota.
- Llevar pasajeros (incluidas mascotas).
- Colgar cualquier artículo del manillar.
- Remolcar o ser remolcado por otro vehículo motorizado.



**¡ADVERTENCIA! ¡Peligro de vuelco! Evite hacer maniobras bruscas a velocidad excesiva. Se recomienda ajustar el regulador de velocidad a la posición más baja hasta que se familiarice con los controles y el funcionamiento del scooter.**

**¡ADVERTENCIA! Las distancias de frenado del scooter son mayores en una pendiente.**

**¡ADVERTENCIA! Mantenga siempre ambas manos en el manillar y sus pies en el piso del vehículo mientras maneje el scooter. Esta posición de conducción le garantiza el mayor control sobre su vehículo.**

## IV. FUNCIONAMIENTO

- Seleccione la velocidad máx. deseada con el regulador de velocidad.
- Empuje o tire del lado correcto de la palanca de control de aceleración.
- El freno de disco electromecánico de estacionamiento se desactiva automáticamente y el scooter acelera suavemente hasta la velocidad preseleccionada con el regulador de velocidad.
- Tire del puño izquierdo para dirigir el scooter hacia la izquierda.
- Tire del puño derecho para dirigir el scooter hacia la derecha.
- Mueva el manillar a la posición central para circular todo recto
- Para detenerse, suelte suavemente la palanca aceleradora. Los frenos electrónicos se activan automáticamente al detenerse el scooter.

**NOTA:** *La velocidad marcha atrás del scooter es más lenta que la velocidad hacia delante preseleccionada en el regulador de velocidad o en el panel de control LCD.*

### PARA BAJAR DEL SCOOTER

1. Detenga completamente el scooter.
2. Saque la llave de la cerradura de contacto.



**¡ADVERTENCIA! Nunca intente subir o bajar de su scooter sin antes quitar la llave de la cerradura de contacto. Así, evitará que el scooter se mueva si accidentalmente acciona la palanca aceleradora.**

3. Afloje la palanca de bloqueo del asiento y gire éste hasta quedar mirando hacia un lateral del scooter.
4. Compruebe que el asiento esté firme y no se mueva.
5. Con cuidado, bájese del asiento y colóquese a un lado del scooter.
6. Puede dejar el asiento mirando hacia un lateral para que la próxima vez le sea más fácil subirse al scooter.

### TEMPORIZADOR DE DESCONEJÓN

El scooter está equipado con un temporizador automático de ahorro de energía diseñado para prolongar la autonomía de las baterías del scooter. Si por algún error deja la llave en la cerradura de contacto en la posición “on”, pero no utiliza el scooter durante uno 20 minutos, el regulador del scooter se apagará automáticamente.

Siga los pasos siguientes para retomar el funcionamiento normal tras la activación del temporizador de desconexión.

1. Saque la llave de la cerradura de contacto.
2. Vuelva a introducir la llave y encienda el scooter.

# V. OPTIMIZAR EL CONFORT

## AJUSTE DEL ÁNGULO DEL MANILLAR (fig. 1 o 6)

**¡ADVERTENCIA!** Saque la llave de la cerradura de contacto antes de ajustar el manillar o el asiento. Nunca intente ajustar el manillar o el asiento con el scooter en movimiento.



**¡ADVERTENCIA!** Antes de operar el scooter, presione y jale el manillar para garantizar que el mecanismo de ajuste del ángulo esté seguro. Inspeccione el pomo de ajuste del manillar y el mecanismo de ajuste del ángulo para garantizar que estén completamente acoplados. Si ha movimiento en el manillar, contrólole para asegurarse de que el pomo de ajuste del manillar esté completamente ajustado.



**¡ADVERTENCIA!** No intente usar la palanca de ajuste del timón como freno de mano

**NOTA:** Para poder bajar la caña del manillar al piso del scooter, deberá quitar en primer lugar el asiento.

## POSICIÓN DEL RETROVISOR

Para instalar el/los retrovisor/es (fig. 1 o 6):

1. Elija un lateral donde colocarlo y retire el tapón de goma de la parte superior de la empuñadura.
2. Introduzca el extremo fileteado del soporte de retrovisor en la abertura y gírelo en sentido horario hasta que quede acoplado.
3. En caso necesario, gire la tuerca en sentido horario para sujetar el retrovisor en su sitio.

### Ajuste del retrovisor:

1. Siéntese en el scooter mirando hacia delante.
2. Ajuste el retrovisor a izquierda, derecha, arriba o abajo hasta conseguir un buen ángulo de visión posterior.

## REGULACIÓN DEL RESPALDO



**¡ADVERTENCIA!** No conduzca el scooter con el respaldo en posición reclinada.

**¡ADVERTENCIA!** Mantenga siempre su espalda apoyada firmemente contra el respaldo mientras ajusta este ángulo.

Para ajustar el asiento reclinable de su scooter, siga los siguientes pasos (fig. 17).

1. Con la espalda apoyada contra el respaldo, levante la palanca de ajuste del respaldo e inclínese adelante o atrás para ajustar el ángulo del respaldo.
2. Suelte la palanca de ajuste del respaldo una vez encontrada la posición de conducción deseada.

### CLAVES DE IDENTIFICACIÓN

1. PALANCA DE AJUSTE DEL RESPALDO
2. PALANCA DE ROTACIÓN
3. DISCO DE AJUSTE
4. PALANCA DESLIZANTE
5. SOPORTE ACCESORIO
6. POMOS DE AJUSTE

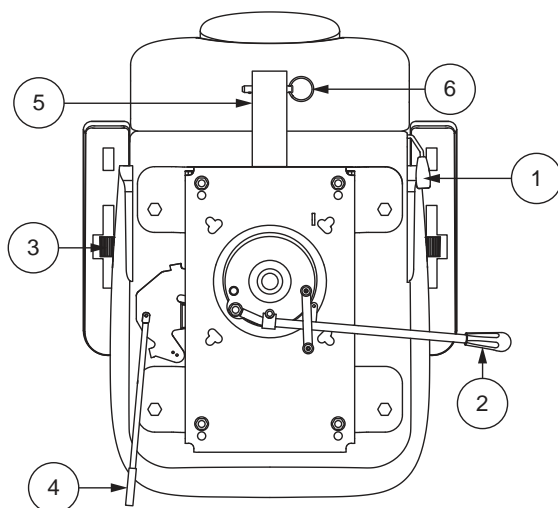


Figura 17. Ajustes en el asiento

## V. OPTIMIZAR EL CONFORT

### AJUSTE DE LA POSICIÓN DEL ASIENTO (ROTACIÓN)

La palanca de rotación ajusta el asiento en varias posiciones.

1. Dependiendo del tipo de asiento, tire hacia arriba o tire hacia arriba de la palanca de bloqueo para desbloquear el asiento (**fig. 17**).
2. Gire el asiento hasta la posición deseada.
3. Suelte la palanca de bloqueo para que el asiento recupere su sitio.

### AJUSTE DEL ÁNGULO DE LOS REPOSABRAZOS

El ángulo del reposabrazos de su scooter puede ajustarse arriba o abajo girando el disco de ajuste (**fig. 18**).

*NOTA: Levante los reposabrazos de forma que pueda subir y bajar más fácilmente del scooter.*

### AJUSTE DE LA POSICIÓN DEL ASIENTO (ADELANTE-ATRÁS)

Puede colocar el asiento más hacia delante o hacia atrás para ajustar la distancia entre el asiento y el manillar.

1. Mueva la palanca de deslizamiento hacia fuera (**fig. 18**).
2. Mientras sujeta la palanca hacia fuera, deslice el asiento adelante o atrás.
3. Suelte la palanca de deslizamiento una vez alcanzada la posición deseada.

### SOPORTE ACCESORIO

El soporte de montaje trasero le permite colocar un accesorio personal, como una cesta, un soporte para andador, o un tanque de oxígeno en la parte trasera del scooter. Utilice el pasador de retención para montar de forma segura sus accesorios en el soporte (**fig. 17**). Consulte con su proveedor autorizado para más detalles.

### AJUSTE DE LA ALTURA DEL ASIENTO

El asiento puede colocarse a diferentes alturas (**fig. 18**).

1. Retire el asiento y/o las carrocerías trasera del scooter. Consulte el capítulo VI, “Desmontaje y montaje”.
2. Extraiga el perno de regulación de altura del asiento.
3. Suba o baje la parte superior de la torre del asiento hasta lograr la altura deseada.
4. Sujeta la parte superior de la torre a esa altura, haga coincidir los orificios de posición en la parte superior e inferior de la torre.
5. Introduzca el perno de regulación de altura por los orificios de posición superior e inferior de las torres.
6. Vuelva a colocar la tuerca del perno de regulación de altura y apriete.
7. Coloque las carrocerías posterior y el asiento.

#### CLAVES DE IDENTIFICACIÓN

1. TORRE SUPERIOR
2. TUERCA
3. PERNO REGULADOR DE ALTURA
4. TORRE INFERIOR

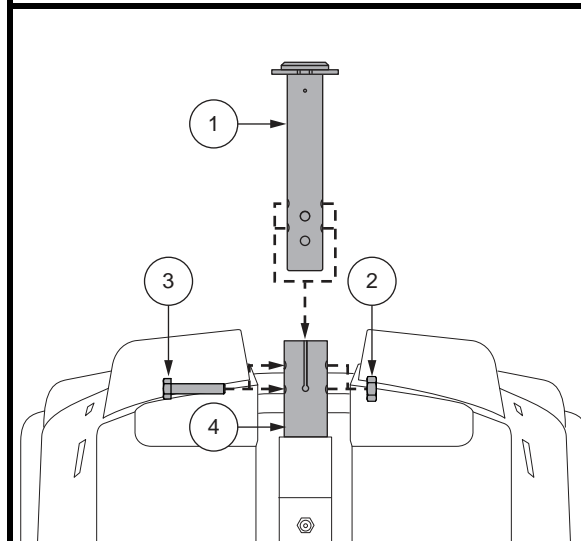


Figura 18. Altura del asiento



## V. OPTIMIZAR EL CONFORT

### AJUSTE DE LA ALTURA DEL ASIENTO - COMODIDAD DE TIJA DE SILLÍN (EN MODELOS EQUIPADOS)

Para volver a colocar el asiento en una de las dos alturas diferentes:

1. Retire el asiento de su scooter. Empuje hacia adelante o tire hacia arriba y mantenga la palanca de rotación para desbloquear el asiento, luego gire el asiento y retírelo del scooter.
2. Retire la cubierta trasera.
3. Empuje hacia arriba la tija del sillín para descubrir el hardware.
4. Empuje hacia abajo el protector en forma de acordeón de la tija del sillín mientras afloja y retira el perno de tope, la arandela y la tuerca (**fig. 19**).
5. Retire el resorte de comodidad.
6. Para elevar el asiento hasta el orificio superior más alto, inserte el espaciador de ajuste de altura. Para bajar el asiento hasta el orificio más bajo, retire el espaciador de ajuste de altura.
7. Coloque nuevamente el resorte de comodidad.
8. Mantenga la tija del sillín superior a la altura deseada y haga coincidir los agujeros de fijación en la tija del sillín. Utilizar los orificios superiores para obtener la posición más alta, o los agujeros inferiores para la posición más baja.

**NOTA:** Cuando la tija del sillín se coloca en la posición superior, se deben utilizar dos espaciadores.

9. Presione la tija del sillín mientras vuelve a instalar la tornillería, y ajuste a 210 lb • en (24 N • m).
10. Vuelva a colocar la cubierta trasera y el asiento.

### AJUSTE DE LA SUSPENSIÓN DEL ASIENTO (EN MODELOS EQUIPADOS)

Usted puede aflojar o endurecer la suspensión del asiento a partir del resorte de comodidad que Ud. coloque.

**Para ajustar la suspensión del asiento:**

1. Retire el asiento de su scooter. Empuje hacia adelante o tire hacia arriba y sostenga la palanca de rotación del asiento para desbloquearlo, gire el asiento y retírelo del scooter.
2. Retire la cubierta trasera.
3. Empuje hacia arriba la tija del sillín para descubrir la tornillería.
4. Empuje hacia abajo la tija del sillín mientras afloja y retira el perno de cabeza hexagonal y la tuerca.
5. Retire el resorte actual.
6. Coloque el resorte deseado (**fig. 19**).
7. Presione hacia abajo la tija del sillín mientras vuelve a colocar el hardware y ajuste a 210 lb • en (24 N • m).
8. Vuelva a colocar la cubierta trasera y el asiento.

#### CLAVES DE IDENTIFICACIÓN

1. PROTECTOR
2. TORRE SUPERIOR
3. RESORTE DE COMODIDAD  
capacidad de peso: 0-220 lbs. (0-90.72 kg)  
220-400 lbs. (90.72-181.44 kg)
4. ESPACIADOR
5. PERNO DE TOPE (210 in • lb [24 N • m])
6. TORRE INFERIOR
7. ARANDELA
8. TUERCA

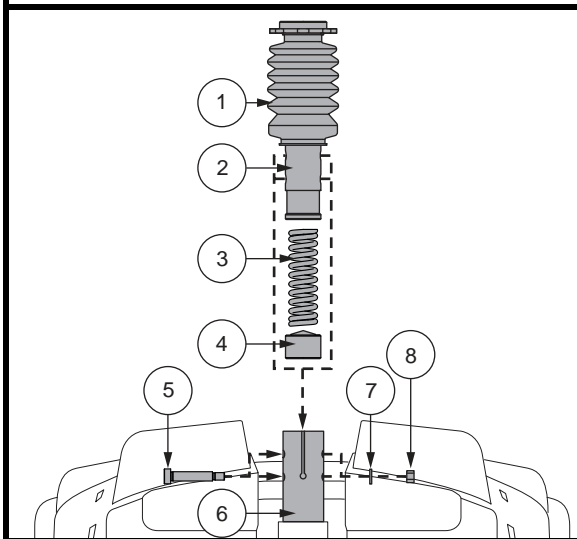


Figura 19. Altura del Asiento - Confort Asiento Tija del Sillín

## V. OPTIMIZAR EL CONFORT

### CINTURÓN DE SEGURIDAD (OPCIONAL)

El asiento de su scooter puede estar equipado con un cinturón de seguridad, similar al de los automóviles, que ayuda a mejorar el confort del usuario. La función del cinturón de seguridad es evitar que se deslice hacia delante o abajo en el asiento. El cinturón no está diseñado para limitar los movimientos.



**¡ADVERTENCIA! El cinturón de posicionamiento no está diseñado para ser usado como un cinturón de seguridad en un vehículo a motor. Su scooter tampoco es apto para ser utilizado como asiento en ningún vehículo. Toda persona que viaje en un vehículo debe estar asegurada correctamente a los asientos aprobados por el fabricante del vehículo.**

**¡ADVERTENCIA! Deberá llevar abrochado el cinturón de seguridad en todo momento. No deje que el cinturón cuelgue o arrastra por el suelo ya que podría enredarse con las ruedas.**

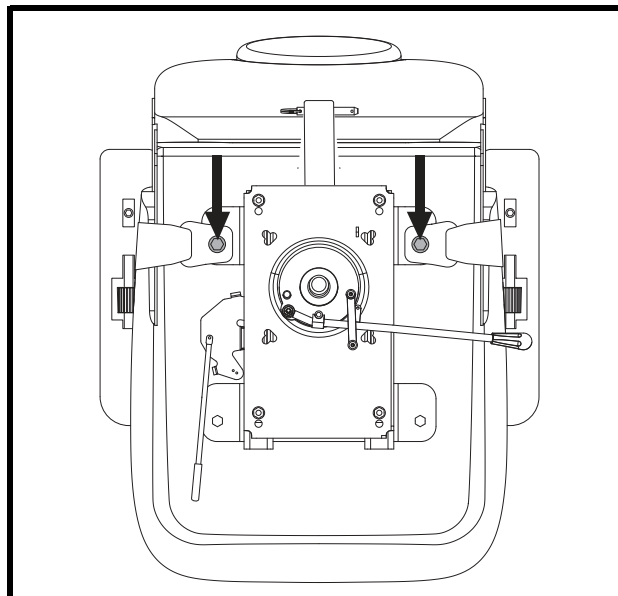


Figura 20. Tornillos del cinturón de seguridad

**Para instalar el cinturón de seguridad (en caso necesario):**

1. Retire el asiento de su scooter.
2. Dé la vuelta al asiento para ver la parte inferior del mismo (fig. 20).
3. Utilice una llave para quitar los dos tornillos que sujetan la parte trasera del bastidor del asiento a la base.
4. Introduzca el tornillo a través de las extremidades correspondientes del cinturón de seguridad y luego vuelva a colocar los tornillos en la estructura del asiento.
5. Apriete los tornillos.

### Cinturón de seguridad con hebilla de metal

**Para ajustar el cinturón de seguridad y mejorar el confort del usuario:**

1. Introduzca la aleta metálica del lado derecho del cinturón en el cuadro de plástico del lado izquierdo y presione hasta oír un clic (fig. 21).
2. Tire de la correa del lado derecho del cinturón hasta encontrar una posición segura y cómoda que no le apriete demasiado.

**Para desabrochar el cinturón de seguridad:**

1. Presione el mecanismo de botón en la carcasa plástica.

## V. OPTIMIZAR EL CONFORT

### Cinturón de seguridad con sistema de cierre de tipo velcro

#### Para ajustar el cinturón de seguridad y mejorar el confort del usuario:

1. Alinee las dos caras del cinturón colocando el extremo tipo velcro directamente sobre la cara ("hook") de la correa opuesta. Presione firmemente ambos extremos (fig. 21).

#### Para desabrochar el cinturón de seguridad:

1. Coja un extremo del cinturón de tipo velcro y tire de él hacia arriba hasta desprenderlo de la correa opuesta.

**¡OBLIGATORIO!** Antes de cada utilización, asegúrese de que el cinturón de seguridad esté bien sujeto al scooter y esté adaptado para el usuario.



**¡OBLIGATORIO!** Antes de utilizar el scooter, compruebe que el cinturón de seguridad no tenga ninguna pieza dañada, demasiado gastada, con polvo o suciedad, y que el pestillo de cierre esté en perfectas condiciones. Si encuentra algún problema, póngase en contacto con su proveedor autorizado para su mantenimiento o reparación.

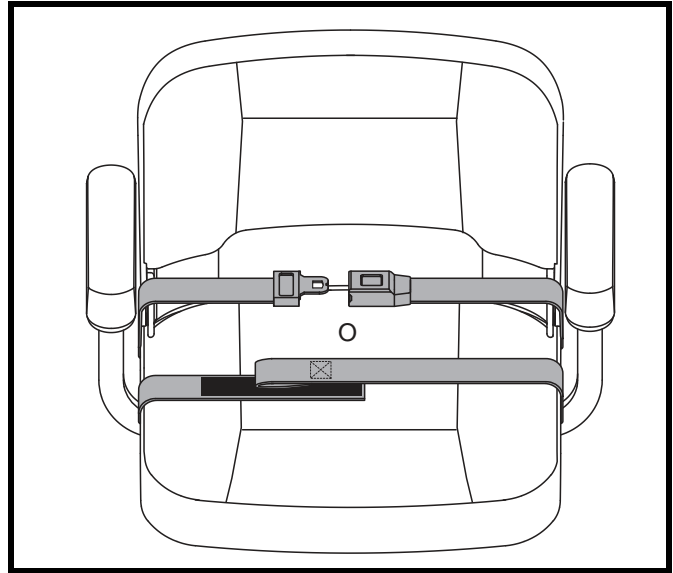


Figura 21. Cinturón de seguridad - hebilla de metal o sistema de cierre de tipo velcro

## VI. DESMONTAJE/MONTAJE

**NOTA:** Por favor, vea la Tabla de características del scooter en el interior de la tapa para determinar si su modelo de scooter puede ser desarmado con motivos de transporte o almacenamiento.

### DESMONTAJE

Puede desmontar el scooter en varias piezas: el asiento, la sección posterior, la sección frontal, la cesta, el paquete de baterías y la cubierta de las baterías (fig. 22). No se necesitan herramientas para montar o desmontar el scooter. Para el montaje o desmontaje, coloque el scooter sobre una superficie plana y seca, y consúsciente espacio para poder trabajar. Recuerde que algunas piezas del scooter son pesadas y puede que necesite ayuda para levantarlas.



**¡ADVERTENCIA!** No levante pesos encima de sus capacidades físicas. En caso necesario, pida ayuda para montar o desmontar su scooter.

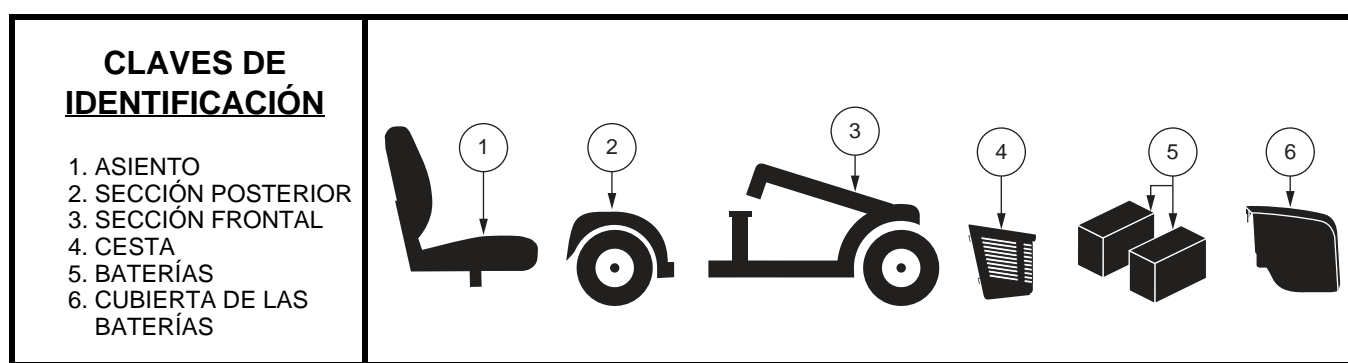


Figura 22. Componentes del scooter

1. Para quitar el asiento del scooter, tire de él hacia arriba. Si encuentra alguna resistencia, afloje la palanca de rotación del asiento y gire el asiento adelante y atrás mientras lo levanta.
2. Retire con cuidado la cubierta de la batería hacia adelante, levante y colóquela fuera del scooter.
3. Desconecte la cincha de amarre de las baterías.
4. Desconecte los cables de la conexión frontal-posterior.
5. Desconecte los dos cables de batería oprimiendo las lengüetas y tirando de cada arnés hacia arriba (fig. 14).
6. Extraiga las baterías de su compartimento.

**NOTA:** Si se instalan espaciadores para asegurar las baterías, remueva los espaciadores hasta que el scooter vuelva a ser ensamblado (fig. 16).



**¡ADVERTENCIA!** Si no desenchufara ambos cables de batería antes de separar las secciones delantera y trasera podría provocar daños permanentes en su scooter.

### Separación de la estructura

1. Coloque las ruedas frontales mirando recto hacia delante.
2. Baje el manillar.

**NOTA:** El manillar pivotante está equipado con un mecanismo que bloqueará las ruedas frontales cuando el manillar esté completamente bajado.

## VI. DESMONTAJE/MONTAJE

3. Tome y levante hacia arriba la palanca de retiro del chasis (**fig. 23**).
4. Levante la parte delantera hasta que el chasis se desenganche de la parte delantera separándola de la parte trasera.
5. Separe con cuidado las dos secciones.

### MONTAJE

1. Coloque las secciones frontal y posterior de su scooter como se muestra en la (**fig. 23**).
2. Utilice la palanca de extracción para levantar la sección frontal a la vez que alinea los enganches de la sección frontal con el tubo inferior de la sección trasera.
3. Una vez colocados los enganches sobre el tubo inferior, baje la sección frontal y a la vez haga girar la sección posterior. De esta forma, bloqueará automáticamente en su sitio la estructura.
4. Suba el manillar.
5. Correctamente conecte lo conexión frontal-posterior.
6. Reinstale los espaciadores de la batería de ser posible (**fig. 16**).
7. Vuelva a colocar las baterías.
8. Correctamente conecte los cables de ambas baterías (**fig. 14**).
9. Vuelva a colocar la cincha de amarre.
10. Vuelva a colocar la carrocería trasera.
11. Coloque el asiento y gírelo hasta que de bloqueado en su sitio.

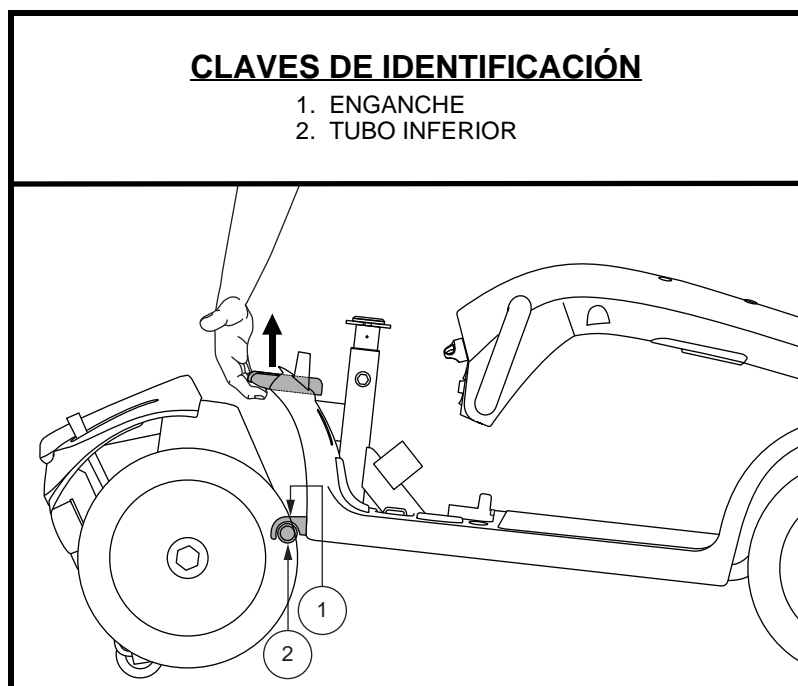


Figura 23. Palanca de extracción

## VII. RESOLUCIÓN DE PROBLEMAS

Los dispositivos electromecánicos pueden tener a veces pequeños problemas. Sin embargo, la mayoría de ellos pueden resolverse utilizando un poco de lógica y sentido común. Muchos de estos problemas o fallos ocurren porque las baterías no están completamente cargadas o porque están muy gastadas y ya no pueden cargarse.

### DIAGNÓSTICO MEDIANTE CÓDIGOS DE SONIDO

Los códigos de sonido de su scooter están diseñados para ayudarle a resolver de forma rápida y sencilla problemas básicos en su vehículo. Un código de destello de diagnóstico titilará desde la LED de estado en caso de que ocurra una de las condiciones enlistadas debajo (**fig. 24 o 25**).

**NOTA:** *El scooter sólo volverá a funcionar si ha resuelto el problema indicado por el código de sonido y ha apagado y luego encendido el mismo.*

CÓDIGO DE SONIDO	PROBLEMA	SOLUCIÓN
■ (1)	El voltaje de las baterías es bajo.	Recargue las baterías lo antes posible.
■ ■ (2)	El voltaje de las baterías es demasiado bajo.	Recargue las baterías.
■ ■ ■ (3)	El voltaje de las baterías es demasiado alto para manejar el vehículo, o tiene el cargador todavía conectado al puerto del cargador externo.	Desenchufe el cargador y/o gire la llave a la posición OFF, y luego de nuevo a la posición ON.
■ ■ ■ ■ (4)	Expiración del temporizador (límite de corriente).	Apague el scooter durante unos minutos y luego vuélvalo a encender.
■ ■ ■ ■ ■ (5)	Que la palanca manual esté en la posición manual.	Saque la llave de la cerradura de contacto, lleve la palanca de modo manual a la posición de conducción (hacia atrás) y vuelva a encender el scooter.
■ ■ ■ ■ ■ ■ (6)	La palanca aceleradora no estaba en su posición central en el momento del encendido.	Compruebe que las baterías estén completamente cargadas. Si es así, lleve la palanca aceleradora a su posición central, apague el scooter y luego vuélvalo a encender.
■ ■ ■ ■ ■ ■ ■ (7)	Error del potenciómetro de velocidad.	Pida ayuda a su proveedor autorizado.
■ ■ ■ ■ ■ ■ ■ ■ (8)	Error en el voltaje del motor.	Pida ayuda a su proveedor autorizado.
■ ■ ■ ■ ■ ■ ■ ■ ■ (9)	Otros errores internos.	Pida ayuda a su proveedor autorizado.

Figura 24. Modellos con consola del manillar

### Mi Travel Scooter no se enciende ni funciona

- Compruebe que la llave esté en la posición “on”.
- Compruebe que las baterías estén completamente cargadas.
- Compruebe el botón del disyuntor principal/reinicio. Capítulo II, “Su Scooter.”
- Compruebe que los todo necesario cables estén conectados correctamente.
- Asegúrese de que el temporizador de desconexión no haya sido activado. Capítulo IV, “Funcionamiento”.

## VII. RESOLUCIÓN DE PROBLEMAS

CÓDIGO DE FALLAS	PROBLEMA	SOLUCIÓN	MENSAJE DE ERROR
1	Las baterías deben ser cargadas	Recargue las baterías lo antes posible.	N/A
2	Baja tensión; las baterías deben ser cargadas inmediatamente	Recargue las baterías lo antes posible.	BAT SC
3	Sobretensión	Desenchufe el cargador y/o gire la llave a la posición OFF, y luego de nuevo a la posición ON.	BAT AV
4	Sobrecorriente	Apague el scooter durante unos minutos y luego vuélvalo a encender.	ECC CO
5	Falla del freno de estacionamiento	Saque la llave de la cerradura de contacto, lleve la palanca de modo manual a la posición de conducción (hacia atrás) y vuelva a encender el scooter.	FRE ST
6	La palanca aceleradora no estaba en su posición central en el momento del encendido.	Compruebe que las baterías estén completamente cargadas. Si es así, lleve la palanca aceleradora a su posición central, apague el scooter y luego vuélvalo a encender.	POT NC
7	Palanca de control del acelerador rota o con fallas	Pida ayuda a su proveedor autorizado.	POT DI
8	Falla del motor	Pida ayuda a su proveedor autorizado.	MOTHS
9	Otra falla	Pida ayuda a su proveedor autorizado.	ALTRO

Figura 25. Modelos con panel de control LCD

### ¿Qué hago si mi scooter no se mueve al pulsar la palanca aceleradora?

- Cuando la palanca de modo manual está hacia delante, los frenos están desactivados y la energía no llega al conjunto del motor/transeje.
- Para volver a un funcionamiento normal, empuje hacia atrás la palanca manual, apague el scooter y luego vuélvalo a encender.

### ¿Qué hacer si el disyuntor principal salta repetidamente?

- Si el disyuntor principal interrumpe la corriente a menudo, consulte a su proveedor autorizado.
- Cargue las baterías del scooter con más frecuencia. Capítulo III, “Baterías y su carga”.
- Si el problema continúa, pídale a su proveedor autorizado que haga una prueba de carga de ambas baterías.
- También puede realizar la prueba usted mismo. Para ello, utilice unos dispositivos de chequeo disponibles en la mayoría de tiendas de automoción y siga las instrucciones del manual correspondiente. Siga las instrucciones indicadas en el manual del dispositivo de medición de carga.
- Consulte el capítulo III, “Baterías y su carga” o “Hoja de características del producto” para conocer el tipo de baterías de su scooter.

### El indicador de batería cae en picado y el motor hace extraños ruidos cuando pulso la palanca aceleradora.

- Cargue completamente las baterías del scooter (III, “Baterías y su carga”).
- Pídale a su proveedor que haga una prueba de carga de ambas baterías.
- O consulte la pregunta anterior para chequear las baterías usted mismo.

Si encontrara otro problema que no pudiera resolver, póngase en contacto con su proveedor autorizado para obtener la información, el mantenimiento y el servicio necesarios.

## VIII. CUIDADO Y MANTENIMIENTO

Su scooter necesita un cuidado y un mantenimiento mínimos. Si no se siente competente para proporcionar a su scooter los cuidados citados a continuación, pida cita a su proveedor autorizado para que realice un chequeo de inspección y mantenimiento. Deberá realizar revisiones y/o controles periódicos en las siguientes zonas.

### PRESIÓN DE LOS NEUMÁTICOS

- Si está equipado con ruedas neumáticas, mantenga en todo momento la presión en psi/bares/kPa indicada en cada rueda.



**¡ADVERTENCIA! Es importante mantener en todo momento la presión en psi/bares/kPa indicada en cada rueda neumática. No infle excesivamente ni escasamente las ruedas. Una baja presión neumática puede provocar una pérdida de control, y unos neumáticos demasiado inflados pueden reventar. El incumplimiento de observar en todo momento la presión indicada (psi/bares/kPa) en las ruedas neumáticas podría ocasionar daños en sus ruedas o neumáticos.**

- Inspeccione regularmente el desgaste en las ruedas de su scooter.

### SUPERFICIES EXTERIORES

Aplique ocasionalmente un acondicionador de caucho o vinilo en los parachoques, neumáticos y molduras.



**¡ADVERTENCIA! No aplique el acondicionador de caucho o vinilo en el asiento de vinilo del scooter ni en la rodadura de los neumáticos ya que se volverían peligrosamente resbaladizos.**

### LIMPIEZA Y DESINFECCIÓN

- Utilice un paño húmedo y suave y un limpiador no abrasivo para limpiar las partes plásticas y de metal del scooter. No use productos que puedan rayar la superficie del scooter.
- En caso necesario, limpie su producto con un desinfectante apropiado. Antes de aplicarlo, asegúrese de que pueda utilizar el desinfectante en su producto.



**¡ADVERTENCIA! Siga las consignas de seguridad para la utilización correcta del desinfectante antes de aplicarlo a su producto. El incumplimiento de estas indicaciones podría provocarle irritaciones cutáneas o daños en la tapicería o el acabado de su scooter.**

### CONEXIONES DE LOS BORNES DE BATERÍA

- Asegúrese de que las conexiones de los bornes estén tensas y sin corrosión.
- Las baterías deben descansar horizontalmente en su compartimento.
- Los terminales de la batería deben mirar hacia el exterior del scooter.

### CABLEADO ELÉCTRICO

- Compruebe regularmente todas las conexiones cableadas.
- Verifique regularmente el aislamiento de los cables, incluido el cable del cargador, para descartar cualquier desgaste o daño.
- Pídale a su proveedor autorizado que repare o cambie los conectores o material aislante dañado antes de volver a utilizar su scooter.



**¡PROHIBIDO! Si bien el scooter ha superado todas las pruebas requeridas de resistencia a líquidos, deberá evitar que los componentes eléctricos se humedezcan (exposición directa al agua o fluidos corporales e incontinencia). Verifique los comp. eléctricos y, en caso de encontrar signos de corrosión, sustitúyalos por otros nuevos.**



**¡ADVERTENCIA! No tire directamente de los cables eléctricos para desconectarlos del scooter. Sujete siempre por el conector del cable para evitar cualquier daño a la hora de desenganchar los cables.**



# VIII. CUIDADO Y MANTENIMIENTO

## CAMBIO DE RUEDAS

Si su scooter tiene ruedas neumáticas y ha pinchado, haga reemplazar la cámara. Consulte a su proveedor autorizado para obtener más información sobre el cambio de ruedas para su scooter.

**¡ADVERTENCIA!** Las ruedas del scooter únicamente podrán ser mantenidas o reemplazadas por un proveedor autorizado o un técnico cualificado.



**¡ADVERTENCIA!** Asegúrese de haber quitado la llave de la cerradura de contacto y de que el scooter no esté en modo manual antes de realizar esta acción.

**¡ADVERTENCIA!** Cuando deba cambiar un neumático, desínflelo **COMPLETAMENTE** antes de sacarlo del eje porque podría explotar.

Para instalar la rueda de forma rápida y segura, siga estos sencillos pasos:

1. Saque la llave de la cerradura de contacto y asegúrese de que el scooter no esté en modo manual.
2. Levante el lateral del scooter del que vaya a retirar la rueda. Coloque unos bloques de madera bajo la estructura para levantar el scooter.
3. Si va a sustituir el tubo, desinfe el neumático **completamente** antes de sacarlo del eje.
4. Retire las tuercas de la rueda de accionamiento del eje (**fig. 26**).
5. Retire la rueda motriz de su eje.
6. Retire los tornillos y separe las mitades de la llanta (**fig. 27**).
7. Quite la cámara antigua de la cubierta del neumático y reemplácela por una nueva cámara.
8. Vuelva a atornillar las dos llantas.
9. Inserte la rueda nuevamente en el eje.
10. Coloque de nuevo las tuercas de la rueda en el cubo y apriete.



**ADVERTENCIA!** Asegúrese de volver a colocar y apretar correctamente tuercas.

11. Infle las ruedas neumáticas a la presión de aire en psi/bares/kPa indicada en cada rueda.
12. Retire los bloques bajo el scooter.

### CLAVES DE IDENTIFICACIÓN

1. TUERCAS
2. RUEDA
3. PERNOS

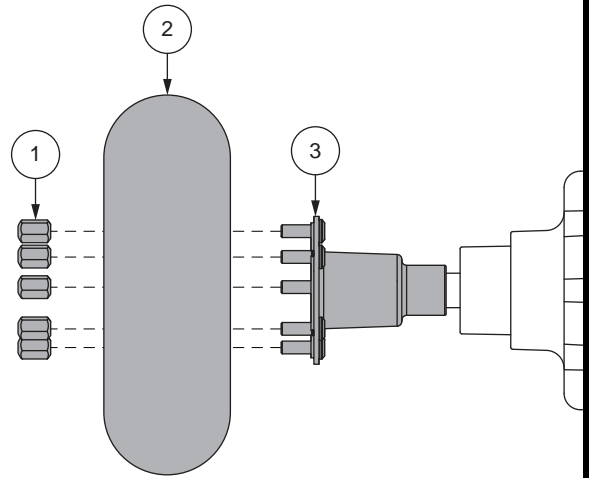
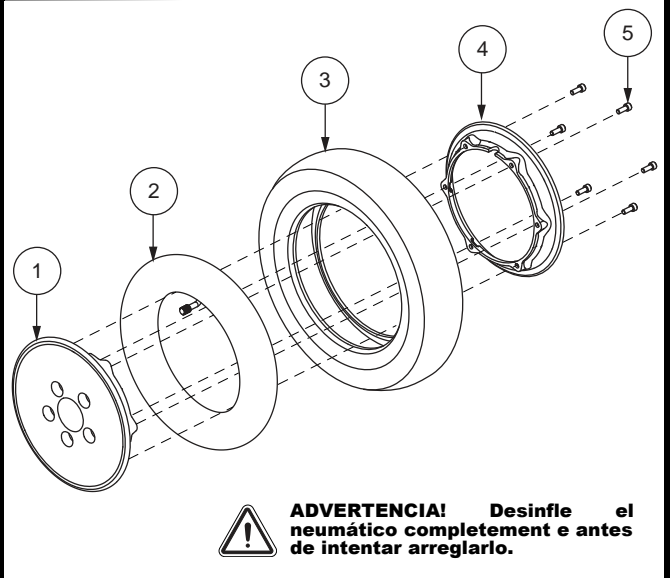


Figura 26. Extracción de la rueda de conducción

### CLAVES DE IDENTIFICACIÓN

1. MITAD FRONTAL DE LA LLANTA
2. CÁMARA
3. NEUMÁTICO
4. MITAD POSTERIOR DE LA LLANTA
5. TORNILLOS



**ADVERTENCIA!** Desinfe el neumático completamente e antes de intentar arreglarlo.

Figura 27. Ruedas neumáticas desmontaje/montaje

## VIII. CUIDADO Y MANTENIMIENTO

### CARROCERÍA DE PLÁSTICO ABS

- Las piezas de la carrocería están formadas por un resistente plástico ABS y revestidas con una fórmula avanzada de pintura de uretano.
- Para que la carrocería conserve su aspecto brillante, utilice un poco de cera para automóviles.

### COJINETES DEL EJE Y CONJUNTO MOTOR/TRANSEJE

Estos elementos vienen prelubricados y sellados, y no necesitan más lubricación.

### ESCOBILLAS DE MOTOR

Las escobillas de motor están situadas dentro del conjunto de motor y transeje. Su proveedor autorizado deberá revisarlas periódicamente para suplir posibles desgastes.

### CONSOLA, CARGADOR/SIST. ELÉCTRICO

- Mantenga siempre estas zonas sin humedad.
- Si alguno de estos componentes se humedeciera, déjelo secar completamente antes de volver a utilizar su scooter.

### PASTILLAS DE FRENO

Las pastillas de freno de su scooter deben ser inspeccionadas periódicamente para controlar su desgaste. Una vez que las pastillas alcanzan un espesor de 2 mm o 1/16 de pulgada, deben ser reemplazadas. Si cualquier pastilla de freno debe ser reemplazada, es mejor reemplazar todas las pastillas de freno al mismo tiempo. Contacte a su proveedor autorizado para obtener más información sobre el reemplazo de las pastillas de freno.

### CAMBIO DE FUSIBLES

**En caso de que un fusible dejara de funcionar:**

1. Retire el fusible, extrayéndolo de su ranura.
2. Examine el fusible para comprobar si está fundido (**fig. 28**).
3. Coloque un nuevo fusible del tipo y características apropiadas.



**¡ADVERTENCIA! El nuevo fusible debe ser del mismo tipo y características que el anterior. De lo contrario, podría provocar daños en el sistema eléctrico.**

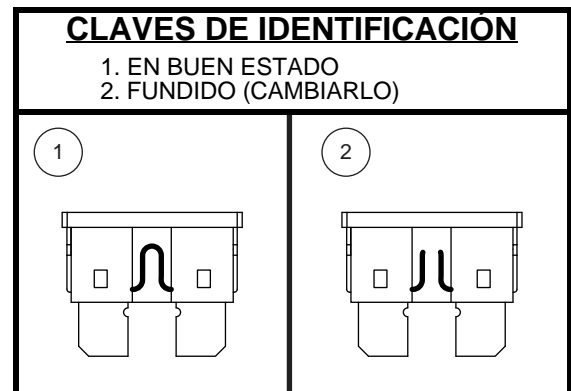


Figura 28. Cambio de fusible

## VIII. CUIDADO Y MANTENIMIENTO

### CAMBIO DE LAS CONTRATUERCAS DE NYLON

Toda contratuerca de nylon que haya sido retirada con motivo del mantenimiento periódico, el montaje o desmontaje del scooter, deberá ser reemplazada por una nueva. Las contratuercas de nylon no pueden volver a utilizarse ya que se dañaría la inserción de nylon, provocando un ajuste menos seguro. Dispone de contratuercas de nylon de recambio en su ferretería local o puede conseguirlas a través de su proveedor autorizado.

### ALMACENAMIENTO

Si planea no utilizar su scooter por un periodo largo de tiempo, le aconsejamos que:

- Antes de guardar su scooter, cargue completamente las baterías.
- Desconecte las baterías del scooter.
- Guarde el scooter en ambiente cálido y seco.
- Evite guardar el scooter en lugares sujetos a temperaturas extremas.
- Temperatura recomendada de almacenamiento: -40°F/-40°C a 149°F/65°C.



**¡ADVERTENCIA! Proteja siempre las baterías de temperaturas heladas y nunca cargue una batería congelada. El cargado de una batería congelada puede provocar daños en la batería.**

Las baterías que se dejan descargar con frecuencia, no se cargan con regularidad, se guardan bajo temperaturas extremas o antes de haberlas recargado completamente pueden dañarse de forma permanente, afectando al funcionamiento del producto y limitando la vida de las mismas. Aunque guarde el scooter durante largos periodos de tiempo, nosotros recomendamos cargar las baterías periódicamente para garantizar un rendimiento óptimo.

Si va a guardar el scooter durante un largo tiempo, coloque varios cartones bajo la estructura del vehículo para levantarlo del suelo. Así, las ruedas no tienen que soportar todo el peso y se reduce el riesgo de abolladuras en las zonas de los neumáticos en contacto con el suelo.

### ELIMINACIÓN Y RECICLAJE DEL SCOOTER

Para deshacerse de su scooter deberá tener en cuenta la normativa aplicable en su país. Póngase en contacto con la agencia local de eliminación de residuos o con su proveedor autorizado para saber cómo deshacerse correctamente del paquete, los componentes metálicos y plásticos, el sistema electrónico, las baterías, así como los materiales de neopreno, silicona y poliuretano.

# NOTAS

# NOTAS

# NOTAS



*Please fill out the following information for quick reference:*

*S.V.P. veuillez compléter les informations ci dessous:*

*Vul alstublieft de volgende informatie in voor snelle referentie:*

*Mein autorisierter Fachhändler ist:*

*Informazioni di riferimento:*

*Por favor, rellene la siguiente información para tener siempre a mano:*

Provider:

Détaillant:

Leverancier:

Name:

Rivenditore:

Proveedor: \_\_\_\_\_

Address:

Adresse:

Adres:

Adresse:

Indirizzo:

Dirección: \_\_\_\_\_

Telephone:

Téléphone:

Telefoon nummer:

Tel. Nummer:

Telefono:

Número de teléfono: \_\_\_\_\_

Purchase Date:

Date d'achat:

Koop Datum:

Kaufdatum:

Data di acquisto:

Fecha de compra: \_\_\_\_\_



I N F M A N U 4 5 3 0



Serial #/série#/serie#